

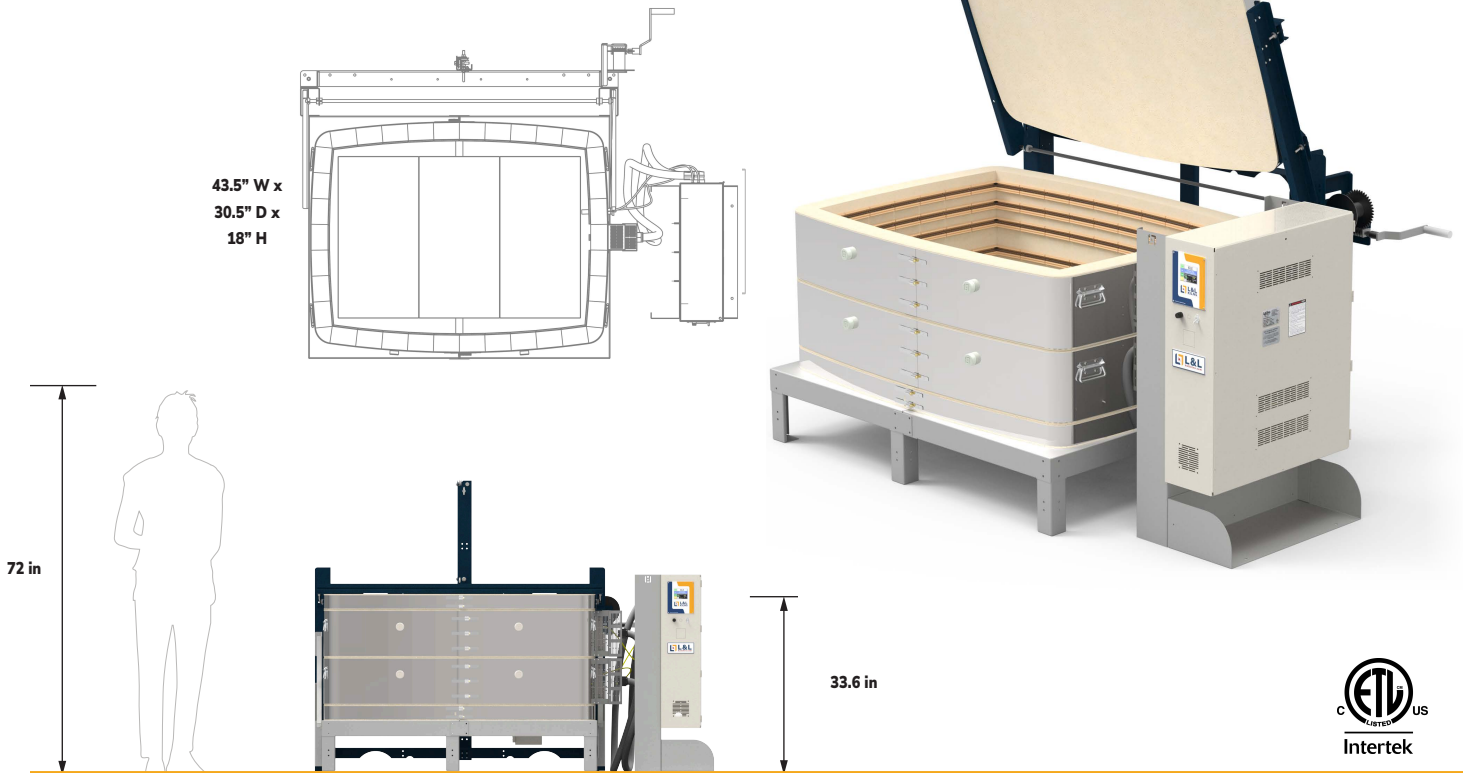
TB3418

Temperature Rating: Cone 10

Volume: 13.8 Cubic Feet

Brick Thickness: 3" Brick

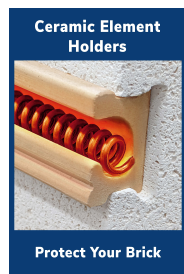
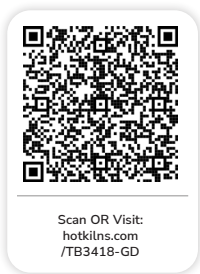
Inside: 43.5" D x 18" H



Large volume square and rectangular kilns with adjustable height. DaVinci kilns are great for production and tiles. Includes arched sides for strength and counterbalanced lid.

- **Genesis Touch Screen Control** with Dynamic Zone Control
- **Cone 10 • 2350°F • 1290°C**
- **Lid Winch System** easy and safe single person lift
- **Safety Latches for Lid**
- **Welded angle-iron powder-coated stand and hinge**
- **3" brick**
- **Type K Thermocouples (2)**
 - with protection tubes
- **Strong arched sides** with extra space
- added to interior dimensions for good air circulation
- **Three elements per 9" section**
- **Ceramic Element Terminals**
- **Hard Ceramic Element Channels**
- **Plug in kiln sections** (except 480 volt models)
- **Floor mounted control panel**
- **Solid State Power Controls**
- **c-ETL-us listed to UL499 Standards**
- **See hotkilns.com/tb3418 for all features and options**

GENERAL DIMENSIONS



TRUST YOUR KILN
hotkilns.com

Manufactured in Swedesboro, NJ
800-750-8350 • sales@hotkilns.com

Bulletin No: BL-TB3418 REV: A

Page 1



USA

Standard Models							Powered Bottom Models				
Model Number	Part Number	Volt/Phase	Watts	Amps	Wire Size	Fuse Size	Part Number	Watts	Amps	Wire Size	Fuse Size
TB3418-D-240	K-T-3418/31	240/1P	19,934	83.1	1 ga	110	K-T-341P/31	26,579	110.7	3/0	150
TB3418-D-240-3P	K-T-3418/32	240/3P	19,934	71.9	2 ga	90	K-T-341P/32	26,579	71.9	2 ga	90
TB3418-D-208	K-T-3418/21	208/1P	19,934	95.8	1/0	125	K-T-341P/21	26,579	127.8	4/0	175
TB3418-D-208-3P	K-T-3418/22	208/3P	19,934	83.0	1 ga	110	K-T-341P/22	26,579	83.0	1 ga	110
TB3418-D-480-3P	K-T-3418/62	480/3P	19,934	24.0	10 ga	30	K-T-341P/62	26,579	36.0	6 ga	50

WORLD

TB3418-D-220	K-T-B348/41	220/1P	19,934	90.6	1/0	125	K-T-341P/41	26,579	120.8	4/0	175
TB3418-D-380-3PY	K-T-B348/52	380/3PY	11,592	45.3	6 ga	60	K-T-341P/52	26,579	45.3	6 ga	60
TB3418-D-400-3PY	K-T-B348/82	400/3PY	11,592	43.3	6 ga	60	K-T-341P/82	26,579	43.3	6 ga	60
TB3418-D-415-3P4	K-T-B348/72	415/3PY	11,592	41.5	6 ga	60	K-T-341P/72	26,579	41.5	6 ga	60



Control: Full digital touchscreen Genesis control with easy-to-use interface, WiFi enabled app, and simple programs for firing ceramics or glass.

For Model Number Powered Bottom Model: Add a “PB” after the “D” (Example = T3427-D-PB-240-1).

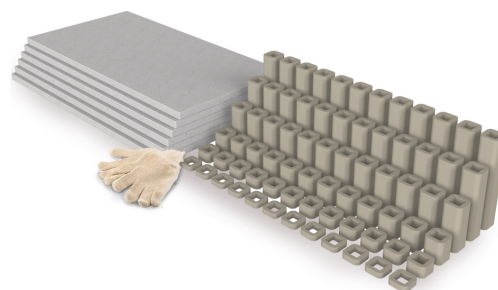
UL Listing: c-ETL-us listed.

Control Panels: All T3400 kilns get a floor standing panel. NEMA 1 panel are recommended but not required for 480 volts.

TB MODELS: TB models have more power.

480 Volt Models with Quad Element Option: See website kiln pages for electrical specifications.

Crating: Comes fully crated. Easily disassembles for installation.



FURNITURE KIT FOR TB3418

Part Number: H-T-K518/00

Includes: Six 28” x 14” x 3/4” rectangular shelves (3/4” thick), twelve each 1/2”, 1”, 2”, 4”, 6”, and 8” square posts, and one pair heat resistant. Gloves.