

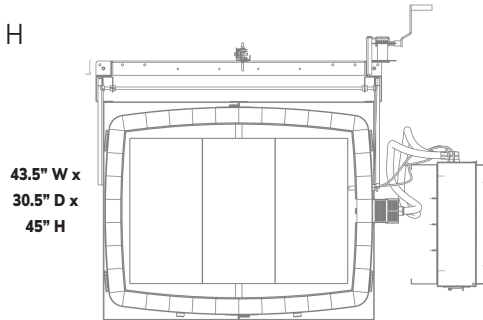
T3445

Temperature Rating: Cone 10

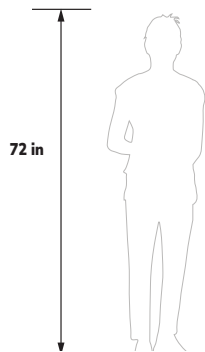
Volume: 34.6 Cubic Feet

Brick Thickness: 3" Brick

Inside: 43.5" D x 45" H



43.5" W x
30.5" D x
45" H



72 in



60.6 in



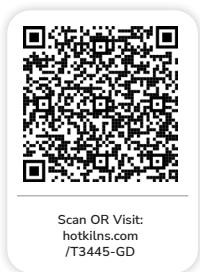
Large volume square and rectangular kilns with adjustable height. DaVinci kilns are great for production and tiles. Includes arched sides for strength and counterbalanced lid.

- **Genesis Touch Screen Control** with Dynamic Zone Control
- **Cone 10 • 2350°F • 1290°C**
- **Lid Winch System** easy and safe single person lift
- **Safety Latches for Lid**
- **Welded angle-iron powder-coated stand and hinge**
- **3" brick**
- **Type K Thermocouples (3)**
 - with protection tubes
- **Strong arched sides** with extra

space added to interior dimensions for good air circulation

- **Three elements per 9" section**
- **Ceramic Element Terminals**
- **Hard Ceramic Element Channels**
- **Plug in kiln sections** (except 480 volt models)
- **Floor mounted control panel**
- **Solid State Power Controls**
- **c-ETL-us listed to UL499 Standards**
- **See hotkilns.com/t3445 for all features and options**

GENERAL DIMENSIONS



Scan OR Visit:
hotkilns.com
/T3445-GD



Ceramic Element Holders

Protect Your Brick

TRUST YOUR KILN
hotkilns.com

Manufactured in Swedesboro, NJ
800-750-8350 • sales@hotkilns.com

Bulletin No: BL-T3445 REV: A

Page 1



USA

Standard Models							Powered Bottom Models				
Model Number	Part Number	Volt/Phase	Watts	Amps	Wire Size	Fuse Size	Part Number	Watts	Amps	Wire Size	Fuse Size
T3445-D-240	K-T-3445/31	240/1P	41,560	173.2	300 mcm	225	K-T-344P/31	47,101	196.3	350 mcm	250
T3445-D-240-3P	K-T-3445/32	240/3P	41,560	120.0	3/0	150	K-T-344P/32	47,101	120.0	3/0	150
T3445-D-208	K-T-3445/21	208/1P	41,560	199.8	350 mcm	250	K-T-344P/21	47,101	226.4	500 mcm	300
T3445-D-208-3P	K-T-3445/22	208/3P	41,560	138.4	4/0	175	K-T-344P/22	47,101	138.4	4/0	175
T3445-D-480-3P	K-T-3445/62	480/3P	41,560	50.0	4 ga	70	K-T-344P/62	47,101	60.0	3 ga	80
TB3445-D-240	K-T-344B/31	240/1P	49,835	207.7	400 mcm	275	K-T-344W/31	56,480	235.3	500 mcm	300
TB3445-D-240-3P	K-T-344B/32	240/3P	49,835	143.9	250 mcm	200	K-T-344W/32	56,480	143.9	250 mcm	200
TB3445-D-208	K-T-344B/21	208/1P	49,835	239.6	500 mcm	300	K-T-344W/21	56,480	271.5	500 mcm	350
TB3445-D-208-3P	K-T-344B/22	208/3P	49,835	166.0	350 mcm	225	K-T-344W/22	56,480	166.0	300 mcm	225
TB3445-D-480-3P	K-T-344B/62	480/3P	49,835	60.0	3 ga	80	K-T-344W/62	56,480	72.0	2 ga	90

WORLD

T3445-D-220	K-T3445/41	220/1P	41,560	188.9	350 mcm	250	K-T344P/41	47,101	214.1	400 mcm	275
T3445-D-380-3PY	K-T3445/52	380/3PY	41,560	75.6	1 ga	100	K-T344P/52	47,101	75.6	1 ga	100
T3445-D-400-3PY	K-T3445/82	400/3PY	41,560	72.3	1 ga	100	K-T344P/82	47,101	72.3	1 ga	100
T3445-D-415-3PY	K-T3445/72	415/3PY	41,560	69.3	2 ga	90	K-T344P/72	47,101	69.3	2 ga	90
TB3445-D-220	K-T344B/41	220/1P	49,835	226.5	500 mcm	300	K-T-344W/41	56,480	256.7	500 mcm	350
TB3445-D-380-3PY	K-T344B/52	380/3PY	49,835	52.5	4 ga	70	K-T-344W/52	56,480	90.6	1/0	125
TB3445-D-400-3PY	K-T344B/82	400/3PY	49,835	49.8	4 ga	70	K-T-344W/82	56,480	86.7	1 ga	110
TB3445-D-415-3PY	K-T344B/72	415/3PY	49,835	48.0	6 ga	60	K-T-344W/72	56,480	83.1	1 ga	110



Control: Full digital touchscreen Genesis control with easy-to-use interface, WiFi enabled app, and simple programs for firing ceramics or glass.

For Model Number Powered Bottom Model: Add a "PB" after the "D" (Example = T3427-D-PB-240-1).

UL Listing: c-ETL-us listed.

Control Panels: Floor standing panel. NEMA 1 panel are recommended but not required for 480 volts.

TB MODELS: TB models have more power.

480 Volt Models with Quad Element Option: See website kiln pages for electrical specifications.

Crating: Comes fully crated. Easily disassembles for installation.



FURNITURE KIT FOR T3445

Part Number: H-T-K545/00

Includes: Fifteen 28" x 14" x 3/4" rectangular shelves (3/4" thick), eighteen each 1/2", 1", 2", 4", 6", and 8" square posts, and one pair heat resistant gloves.