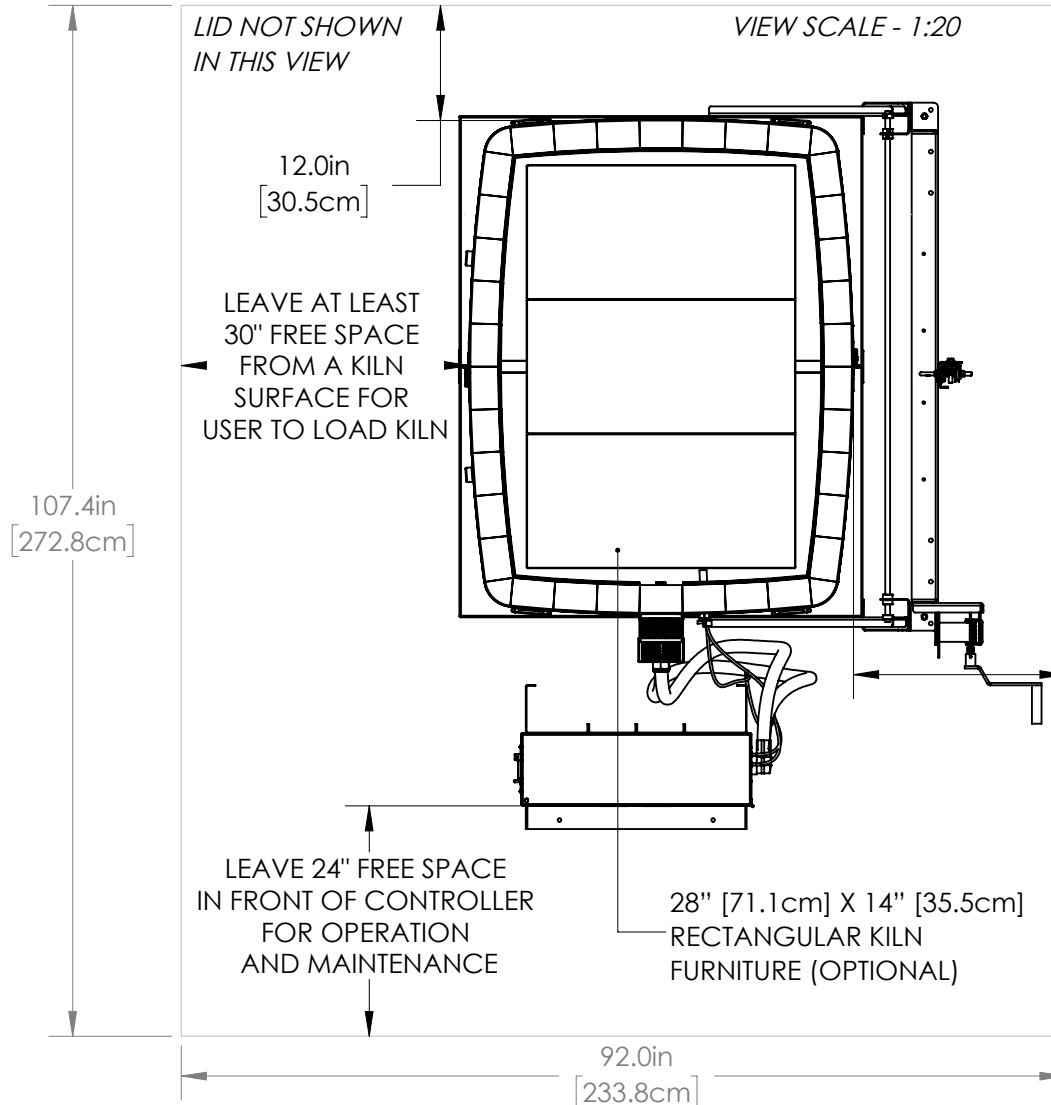


- WALL/KILN SPACING:** 12" [30.5cm] SPACING BETWEEN SIDES OF KILN AND WALLS OR OTHER OBJECTS. 18" [45.7cm] IS RECOMMENDED. LEAVE AT LEAST 18" [45.7cm] BETWEEN TWO KILNS. LEAVE AT LEAST 22" [55.9cm] FROM THE BACK OF THE KILN TO THE WALL TO GIVE ENOUGH SPACE FOR THE WINCH CRANK.
- AMBIENT VENTILATION:** SEE CHART TO RIGHT FOR RATINGS. TO CALCULATE REQUIREMENTS, SEE hotkilns.com/calculate-kiln-room-ventilation.
- KILN VENTILATION:** L&L VENT-SURE KILN VENT RECOMMENDED FOR SAFETY AND LONGER ELEMENT LIFE. OPTIONAL CONTROL ALLOWS VENT TO BE TURNED ON AND OFF WITH CONTROL.

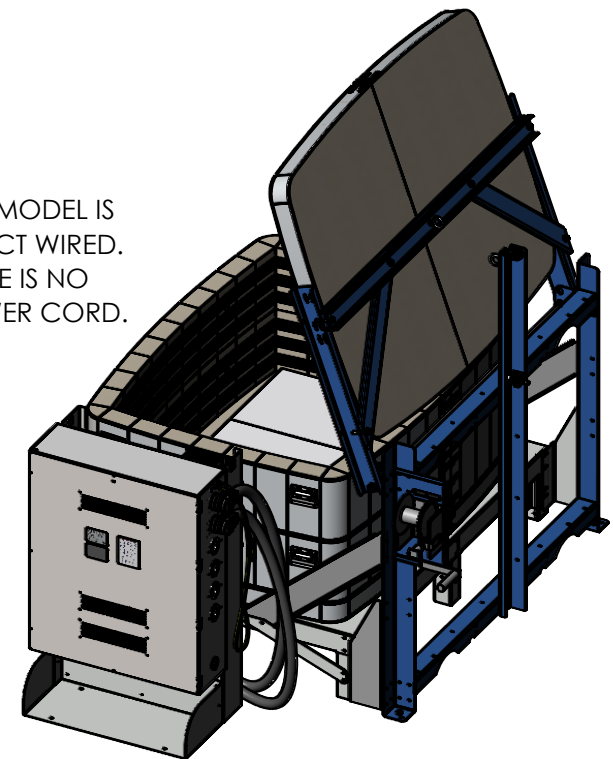
- OTHER INFO:** REFER TO INSTALLATION INSTRUCTIONS AND CAUTIONS INSTRUCTIONS FOR OTHER REQUIREMENTS AND SAFETY INFORMATION. REFER TO WIRING DIAGRAM FOR ELECTRICAL HOOKUP INFORMATION.
- MAX LOAD WEIGHT:** SEE hotkilns.com/load-weight.
- WEIGHT OF KILN:** 915 LBS, 415 KG

BTUS/ KILOJOULES PER HOUR NEEDED TO BE VENTED WITH AMBIENT ROOM VENTILATION (THIS IS IN ADDITION TO KILN VENTING):

AT TEMP F	BTUS	AT TEMP C	KILOJOULES
1800F	22293	980C	23521
2000F	26065	1095C	27500
2232F	30779	1222C	32474
2350F	33315	1285C	35149



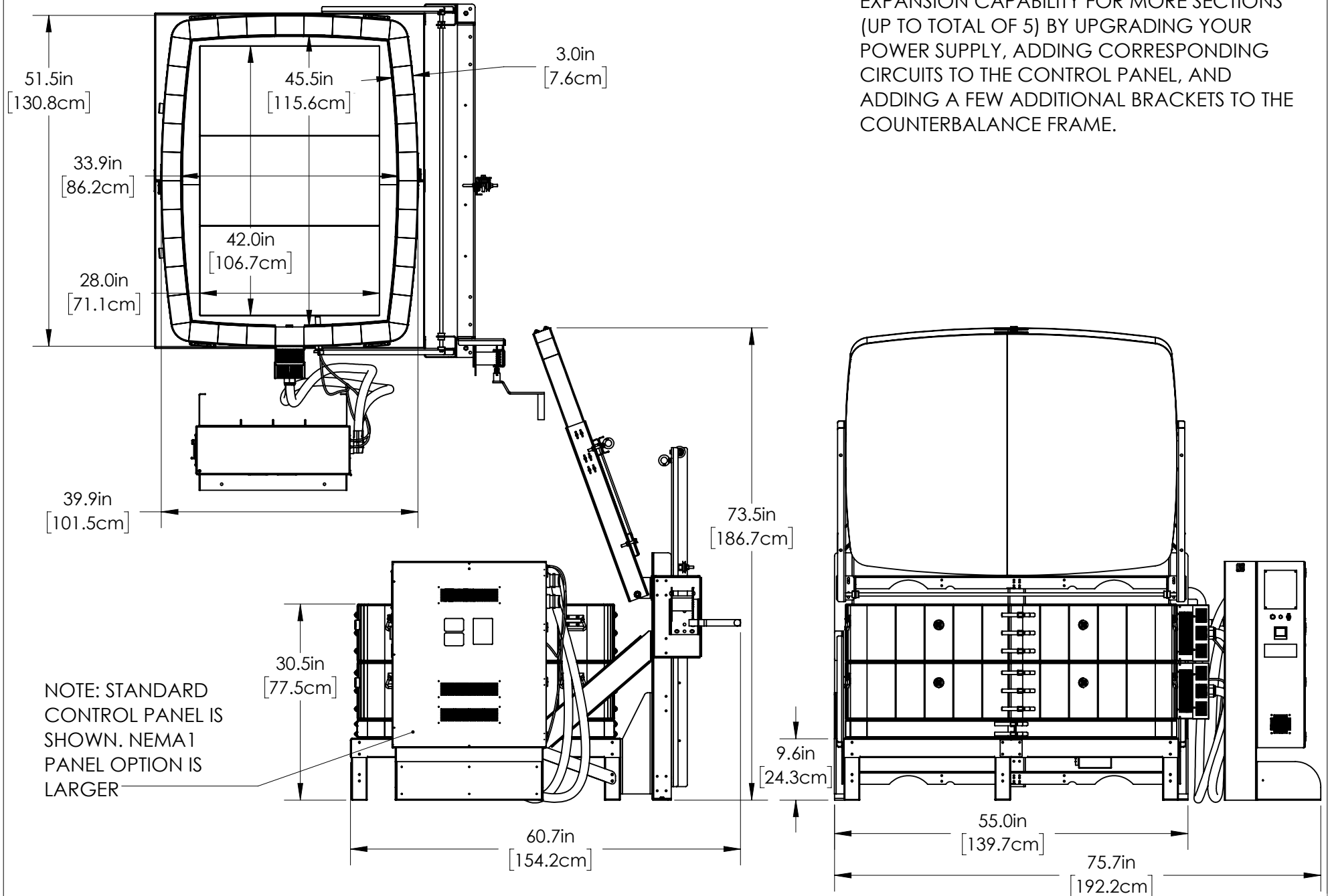
THIS MODEL IS DIRECT WIRED. THERE IS NO POWER CORD.



MADE FROM NEW
 DRAWN BY LL
 DATE 06/09/2026
 SCALE 1:24
 TITLE TB3418-D (3" BRICK) DAVINCI GENERAL DIMENSIONS

LKilns hotkilns.com
 505 SHARPTOWN RD
 SWEDSBORO NJ 08085
 PH: (856) 294-0077
 FAX: (856) 294-0070
 REV A
 SHEET OF 1/3
 DRAWING NO. 300-000-60-2

LID NOT SHOWN
IN THIS VIEW



MADE FROM
NEW

DRAWN BY
LL

DATE
06/09/2026

SCALE
1:20

TITLE
TB3418-D (3" BRICK) GENERAL DIMENSIONS

LKilns
hotkilns.com

505 SHARPTOWN RD
SWEDESBORO NJ 08085
PH: (856) 294-0077
FAX: (856) 294-0070

REV
A

SHEET OF
2/3

DRAWING NO.
300-000-60-2

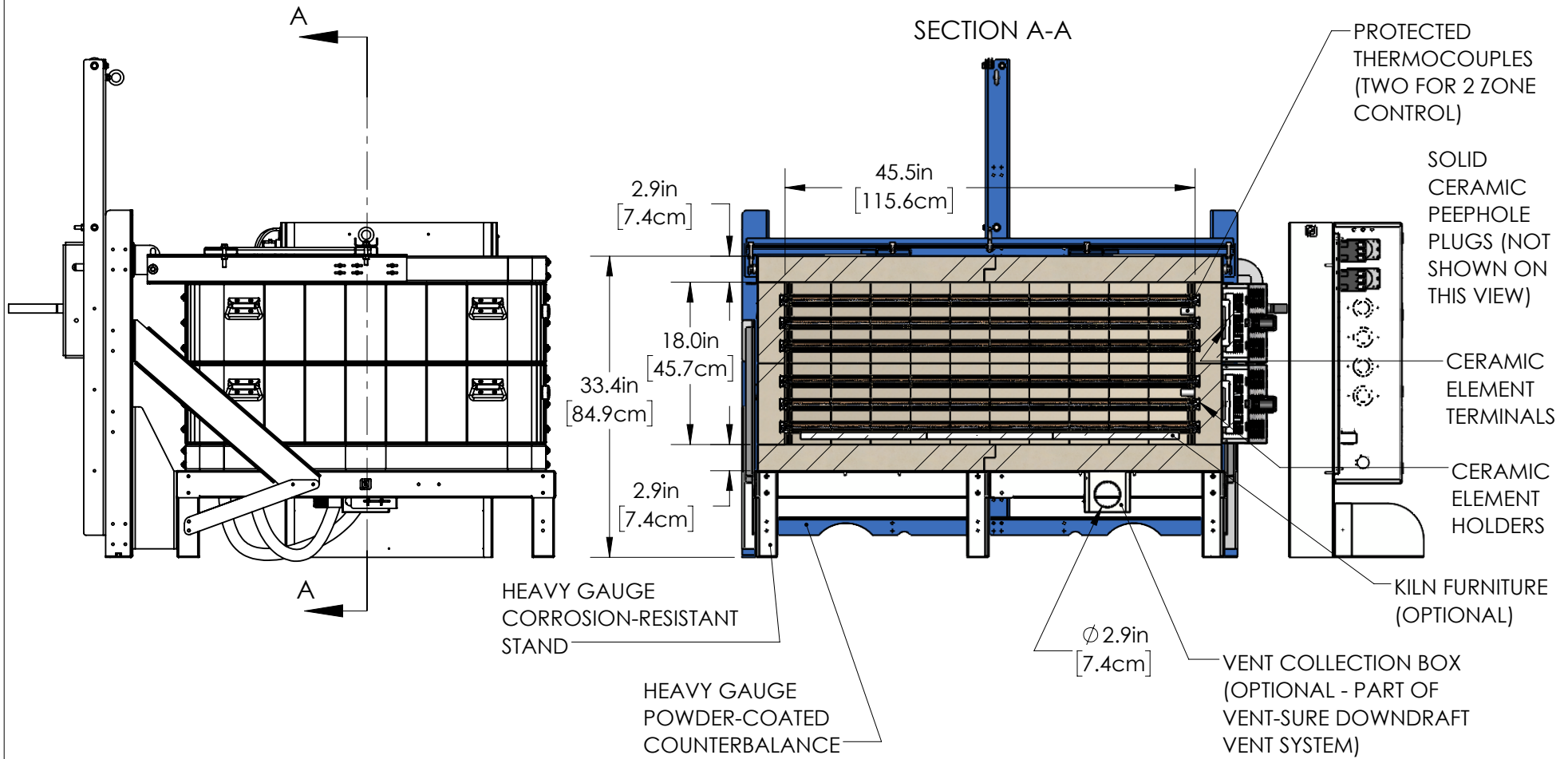
5

4

3

2

1



OPTIONAL FURNITURE KIT: (6) 28" [71.1cm] X 14" [35.5cm] RECTANGULAR SHELVES, (12) EACH 1/2", 1", 2", 4", 6" & 8" SQUARE POSTS

MADE FROM NEW	DRAWN BY LL	DATE 06/09/2026	SCALE 1:17	TITLE TB3418-D (3" BRICK) DAVINCI GENERAL DIMENSIONS	LKilns hotkilns.com	505 SHARPTOWN RD SWEDESBORO NJ 08085 PH: (856) 294-0077 FAX: (856) 294-0070	REV A	SHEET OF 3/3	DRAWING NO. 300-000-60-2
------------------	----------------	--------------------	---------------	---	-------------------------------	--	-----------------	-----------------	-----------------------------