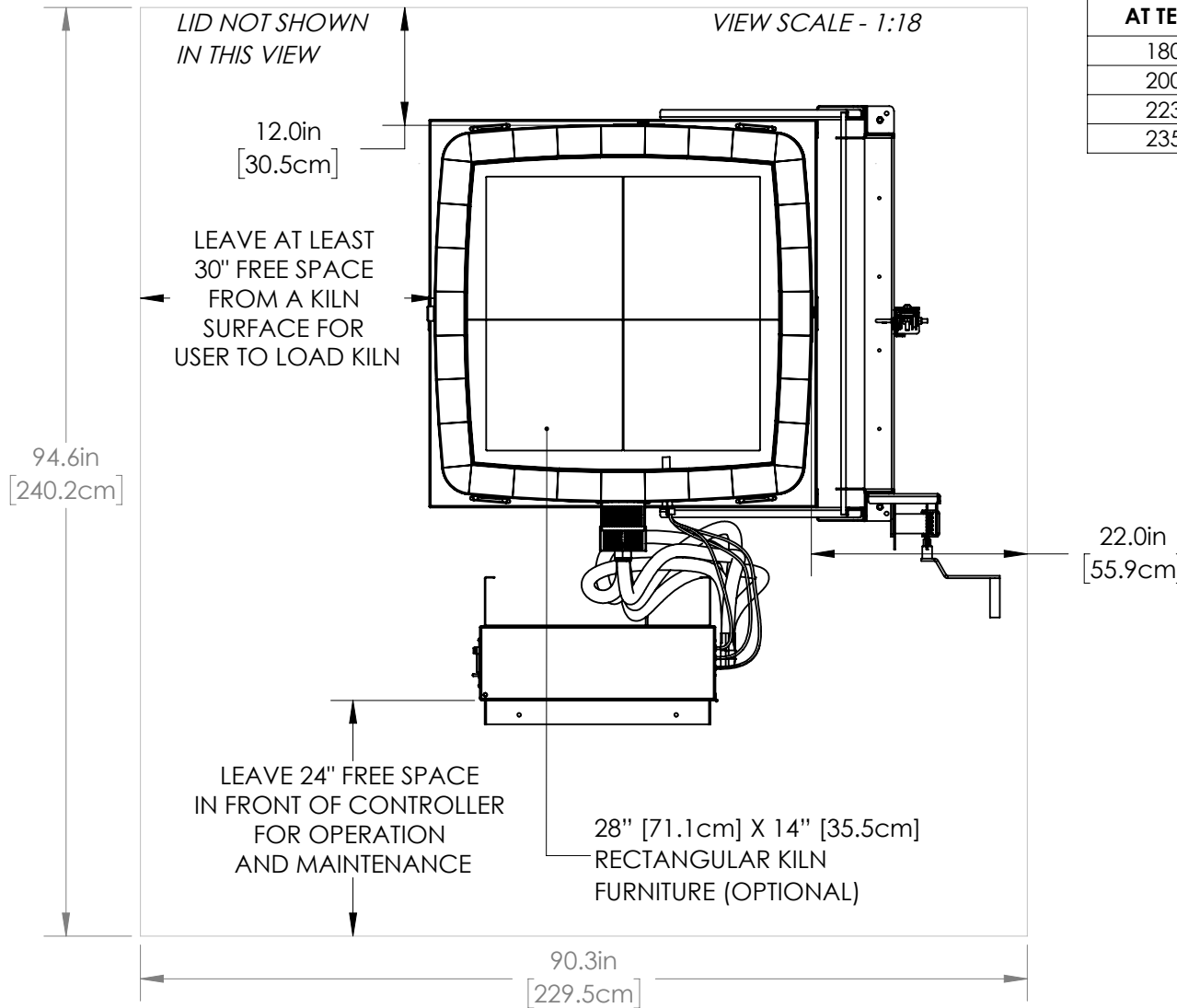


- WALL/KILN SPACING:** 12" [30.5cm] SPACING BETWEEN SIDES OF KILN AND WALLS OR OTHER OBJECTS. 18" [45.7cm] IS RECOMMENDED. LEAVE AT LEAST 18" [45.7cm] BETWEEN TWO KILNS. LEAVE AT LEAST 22" [55.9cm] FROM THE BACK OF THE KILN TO THE WALL TO GIVE ENOUGH SPACE FOR THE WINCH CRANK.
- AMBIENT VENTILATION:** SEE CHART TO RIGHT FOR RATINGS. TO CALCULATE REQUIREMENTS, SEE hotkilns.com/calculate-kiln-room-ventilation.
- KILN VENTILATION:** L&L VENT-SURE KILN VENT RECOMMENDED FOR SAFETY AND LONGER ELEMENT LIFE. OPTIONAL CONTROL ALLOWS VENT TO BE TURNED ON AND OFF WITH CONTROL.

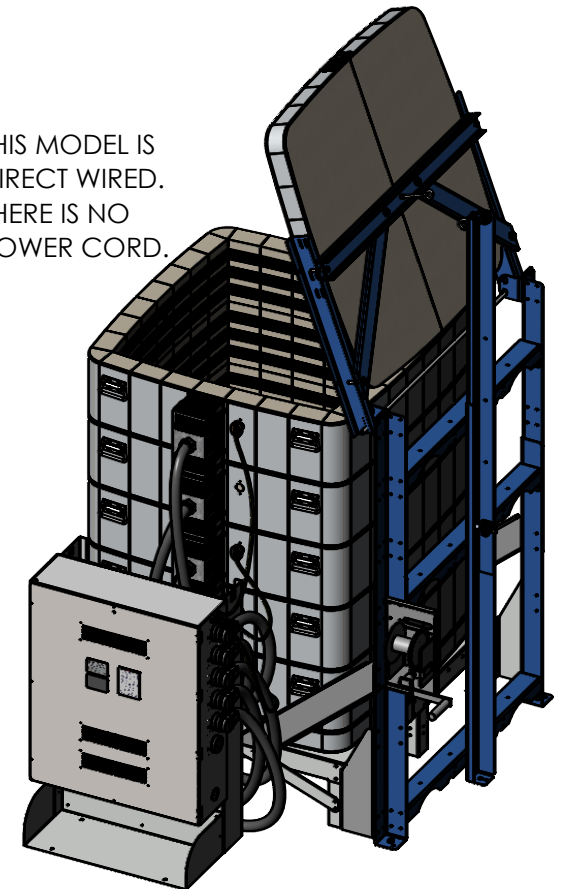
- OTHER INFO:** REFER TO INSTALLATION INSTRUCTIONS AND CAUTIONS INSTRUCTIONS FOR OTHER REQUIREMENTS AND SAFETY INFORMATION. REFER TO WIRING DIAGRAM FOR ELECTRICAL HOOKUP INFORMATION.
- MAX LOAD WEIGHT:** SEE hotkilns.com/load-weight.
- WEIGHT OF KILN:** 1065 LBS, 483 KG

BTUS/ KILOJOULES PER HOUR NEEDED TO BE VENTED WITH AMBIENT ROOM VENTILATION (THIS IS IN ADDITION TO KILN VENTING):

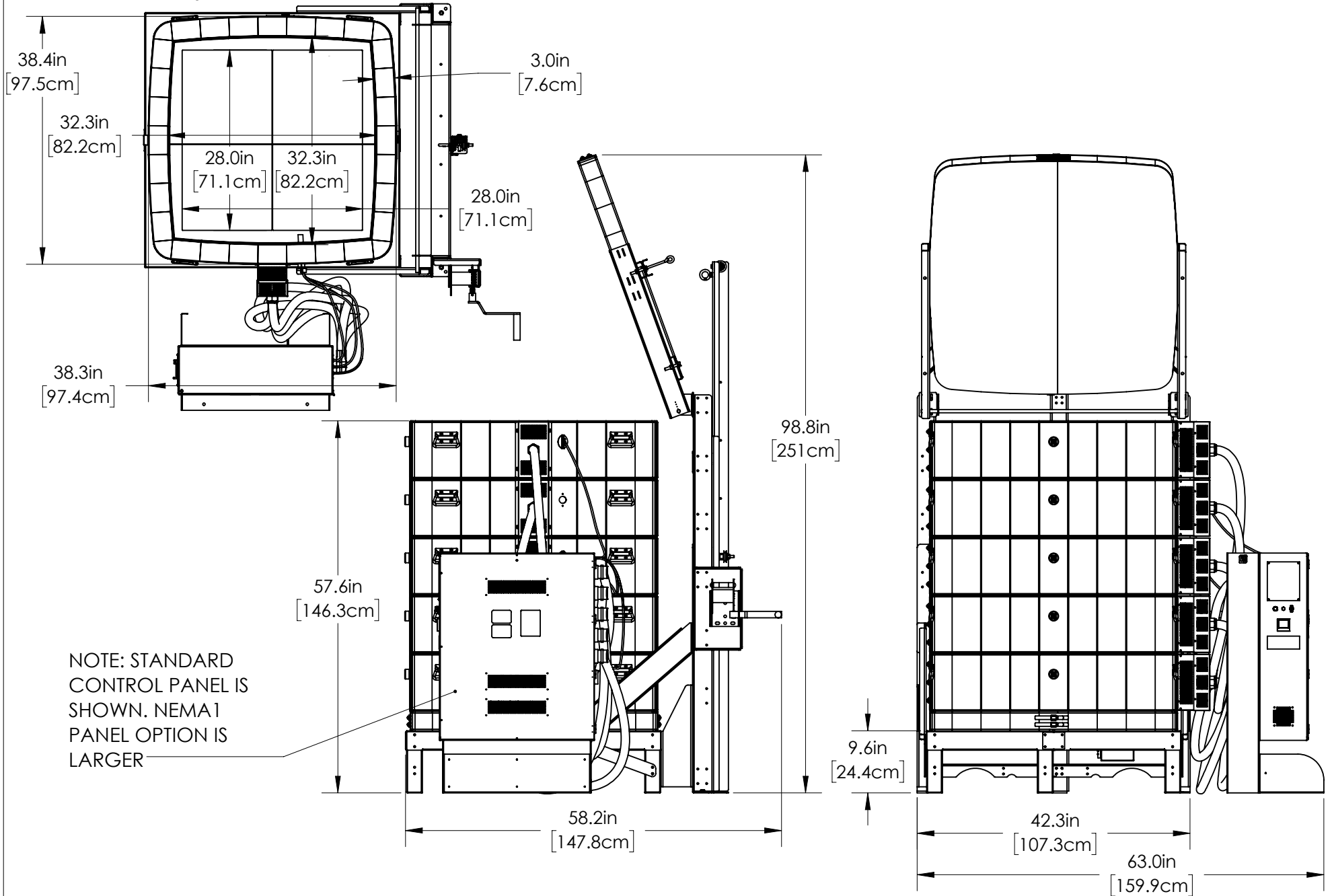
AT TEMP F	BTUS	AT TEMP C	KILOJOULES
1800F	30904	980C	32606
2000F	36127	1095C	38116
2232F	42656	1222C	45004
2350F	46167	1285C	48709



THIS MODEL IS DIRECT WIRED. THERE IS NO POWER CORD.



LID NOT SHOWN
IN THIS VIEW



MADE FROM NEW	DRAWN BY LL	DATE 06/03/2026	SCALE 1:20	TITLE X3245-D (3" BRICK) DAVINCI GENERAL DIMENSIONS	LKilns hotkilns.com	505 SHARPTOWN RD SWEDESBORO NJ 08085 PH: (856) 294-0077 FAX: (856) 294-0070	REV A	SHEET OF 2/3	DRAWING NO. 300-000-40-5
------------------	----------------	--------------------	---------------	--	-------------------------------	--	-----------------	-----------------	-----------------------------

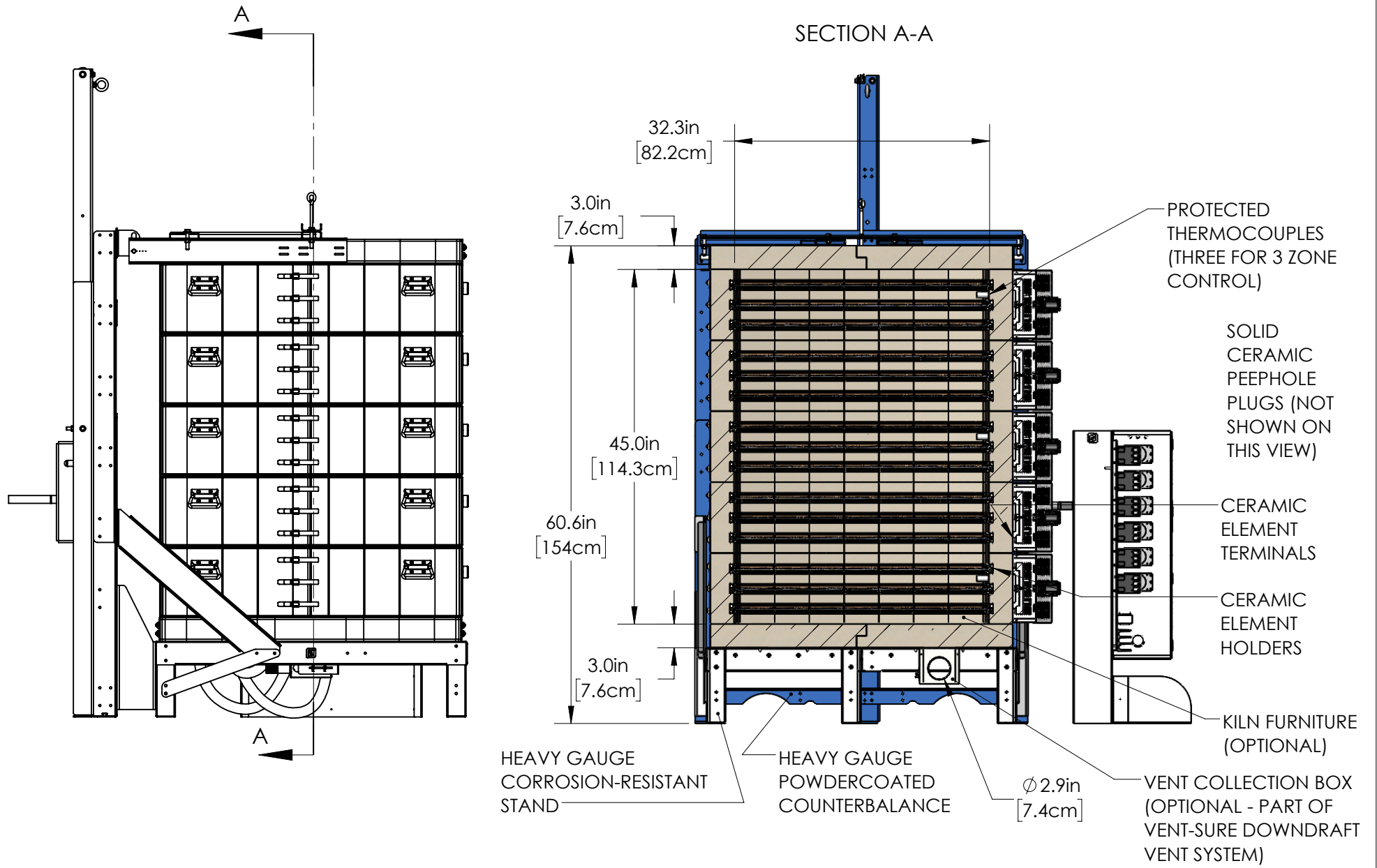
5

4

3

2

1



OPTIONAL FURNITURE KIT: (10) 28" [71.1cm] X 14" [35.5cm] RECTANGULAR SHELVES, (12) EACH 1/2", 1", 2", 4", 6" & 8" SQUARE POSTS

MADE FROM NEW	DRAWN BY LL	DATE 06/09/2026	SCALE 1:17	TITLE X3245-D (3" BRICK) DAVINCI GENERAL DIMENSIONS	LKilns hotkilns.com	505 SHARPTOWN RD SWEDESBORO NJ 08085 PH: (856) 294-0077 FAX: (856) 294-0070	REV A	SHEET OF 3/3	DRAWING NO. 300-000-40-5
------------------	----------------	--------------------	---------------	--	-------------------------------	--	-----------------	-----------------	-----------------------------