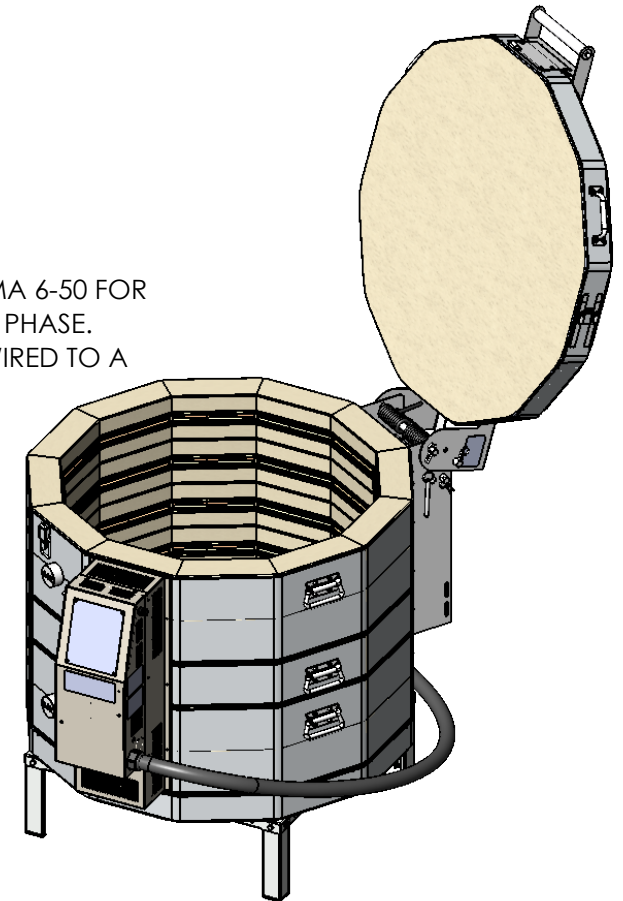
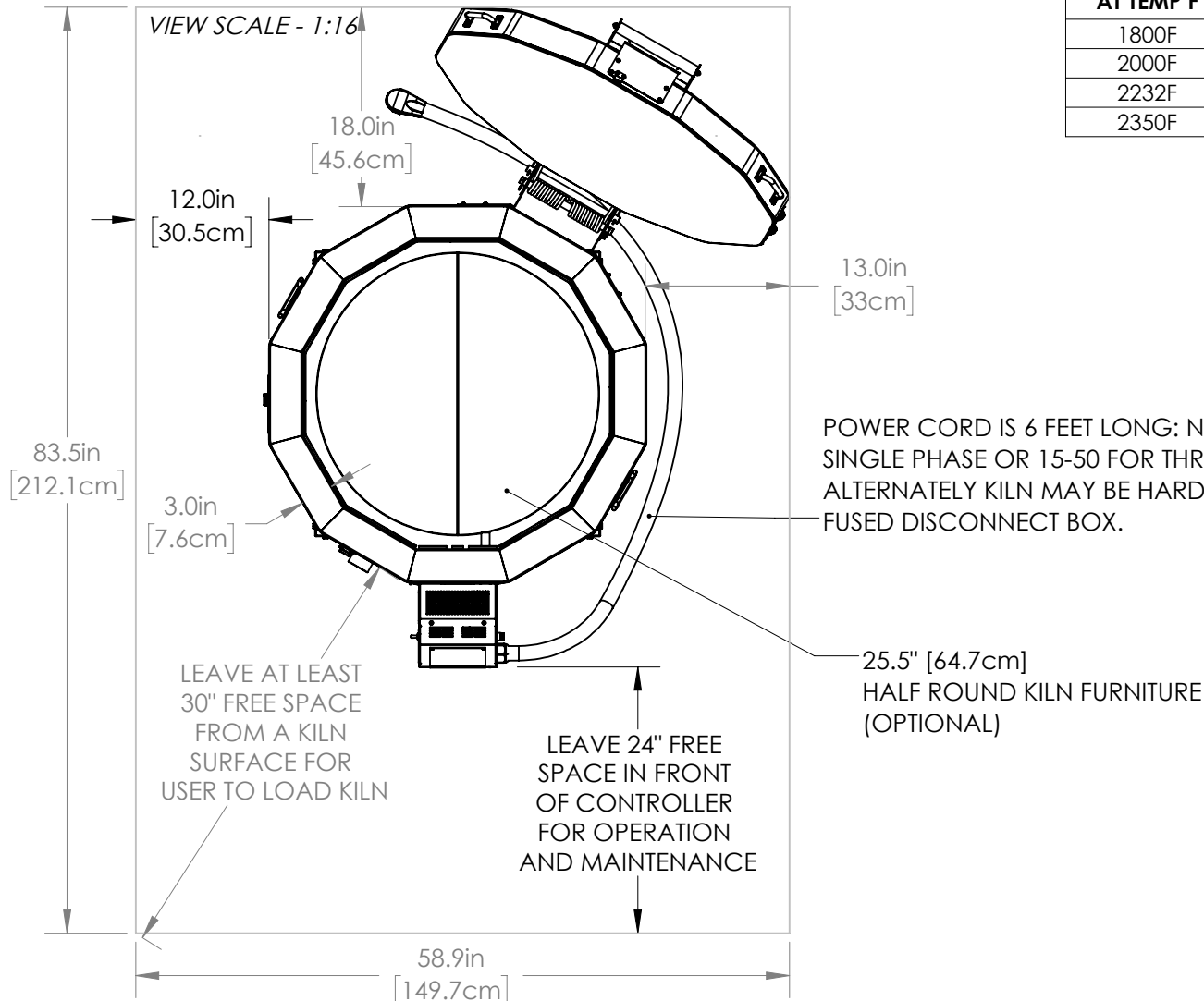


- 1. WALL/KILN SPACING:** 12" [30.5cm] SPACING BETWEEN SIDES OF KILN AND WALLS OR OTHER OBJECTS. 18" [45.7cm] IS RECOMMENDED. LEAVE AT LEAST 18" [45.7cm] BETWEEN TWO KILNS.
- 2. AMBIENT VENTILATION:** SEE CHART TO RIGHT FOR RATINGS. TO CALCULATE REQUIREMENTS, SEE hotkilns.com/calculate-kiln-room-ventilation.
- 3. KILN VENTILATION:** L&L VENT-SURE KILN VENT RECOMMENDED FOR SAFETY AND LONGER ELEMENT LIFE. OPTIONAL CONTROL ALLOWS VENT TO BE TURNED ON AND OFF WITH CONTROL.

- 4. OTHER INFO:** REFER TO INSTALLATION INSTRUCTIONS AND CAUTIONS INSTRUCTIONS FOR OTHER REQUIREMENTS AND SAFETY INFORMATION. REFER TO WIRING DIAGRAM FOR ELECTRICAL HOOKUP INFORMATION.
- 5. MAX LOAD WEIGHT:** SEE hotkilns.com/load-weight.
- 6. WEIGHT OF KILN:** 385 LBS, 175 KG

BTUS/ KILOJOULES PER HOUR NEEDED TO BE VENTED WITH AMBIENT ROOM VENTILATION (THIS IS IN ADDITION TO KILN VENTING):			
AT TEMP F	BTUS	AT TEMP C	KILOJOULES
1800F	13894	980C	14659
2000F	16243	1095C	17138
2232F	19180	1222C	20236
2350F	20760	1285C	21903

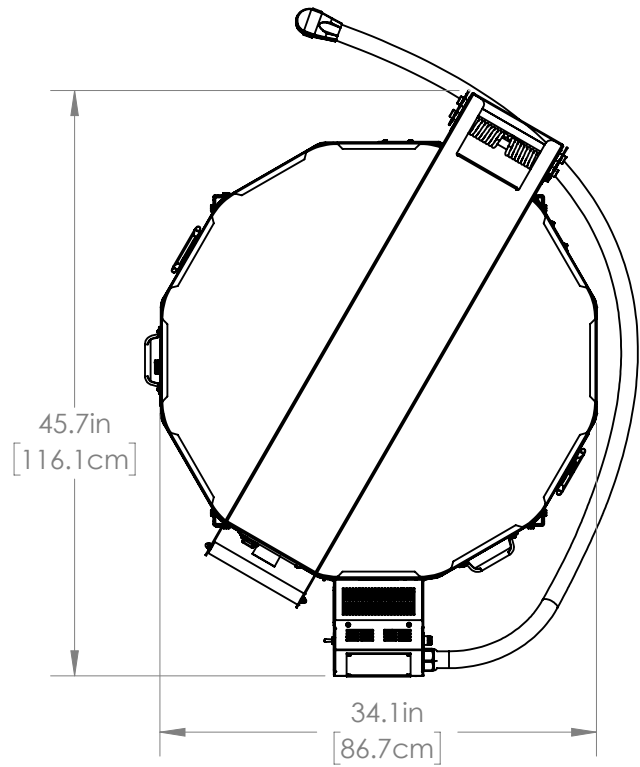


MADE FROM NEW
 DRAWN BY SJL
 DATE 09/01/19
 SCALE 1:17
 TITLE e28M-3 (3" BRICK) GENERAL DIMENSIONS

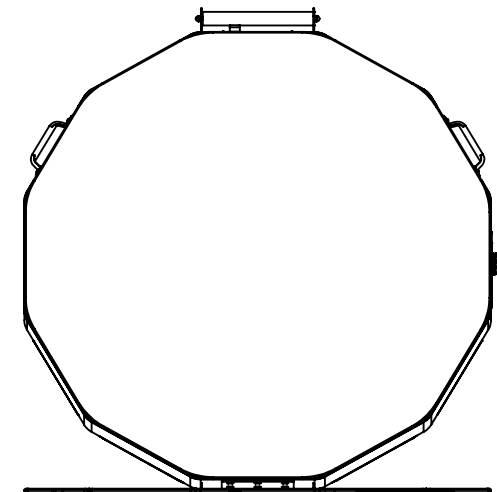


505 SHARPTOWN RD
 SWEDESBORO NJ 08085
 PH: (856) 294-0077
 FAX: (856) 294-0070

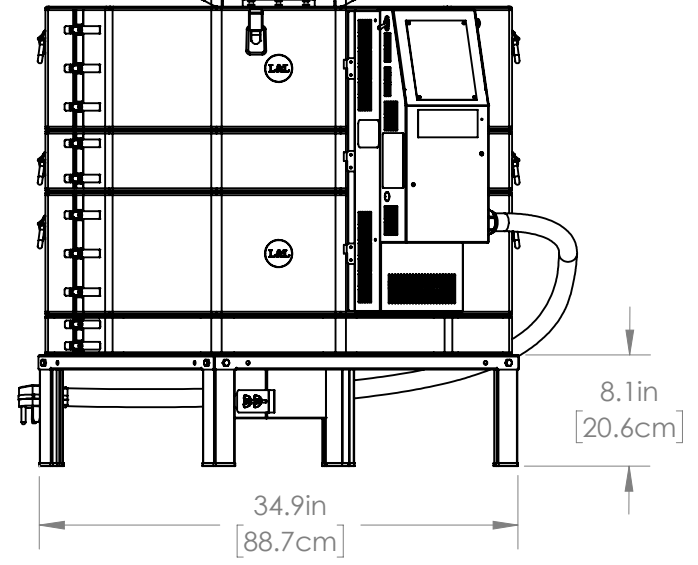
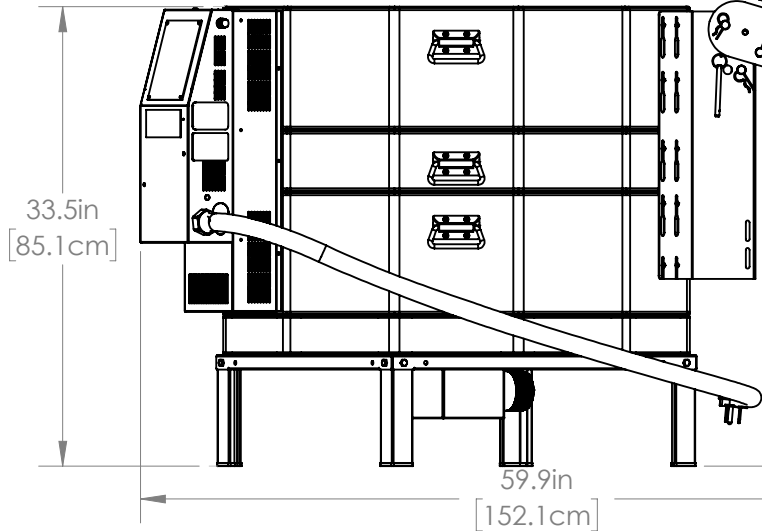
REV B
 SHEET OF 1/3
 DRAWING NO. 200-000-60-2.5



19.6in
[49.8cm]



68.4in
[173.8cm]



MADE FROM NEW	DRAWN BY S JL	DATE 09/01/19	SCALE 1:14	TITLE e28M-3 (3" BRICK) GENERAL DIMENSIONS	 505 SHARPTOWN RD SWEDESBORO NJ 08085 PH: (856) 294-0077 FAX: (856) 294-0070	REV B	SHEET OF 2/3	DRAWING NO. 200-000-60-2.5
------------------	------------------	------------------	---------------	-----------------------------------------------	----------------------------------------------------------------------------------------------------------------------------------------------------------------------------	----------	-----------------	-------------------------------

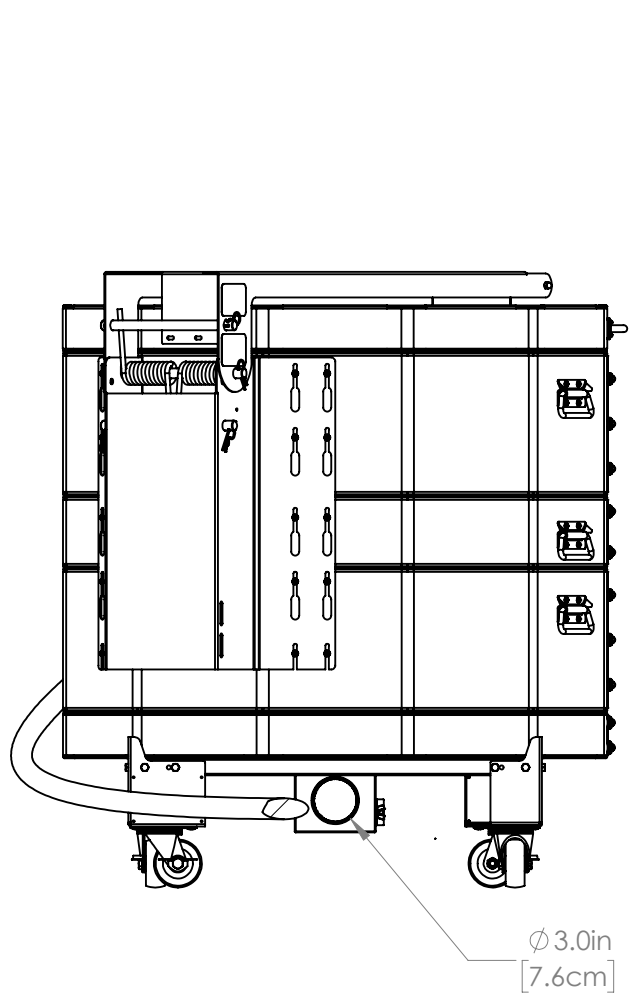
5

4

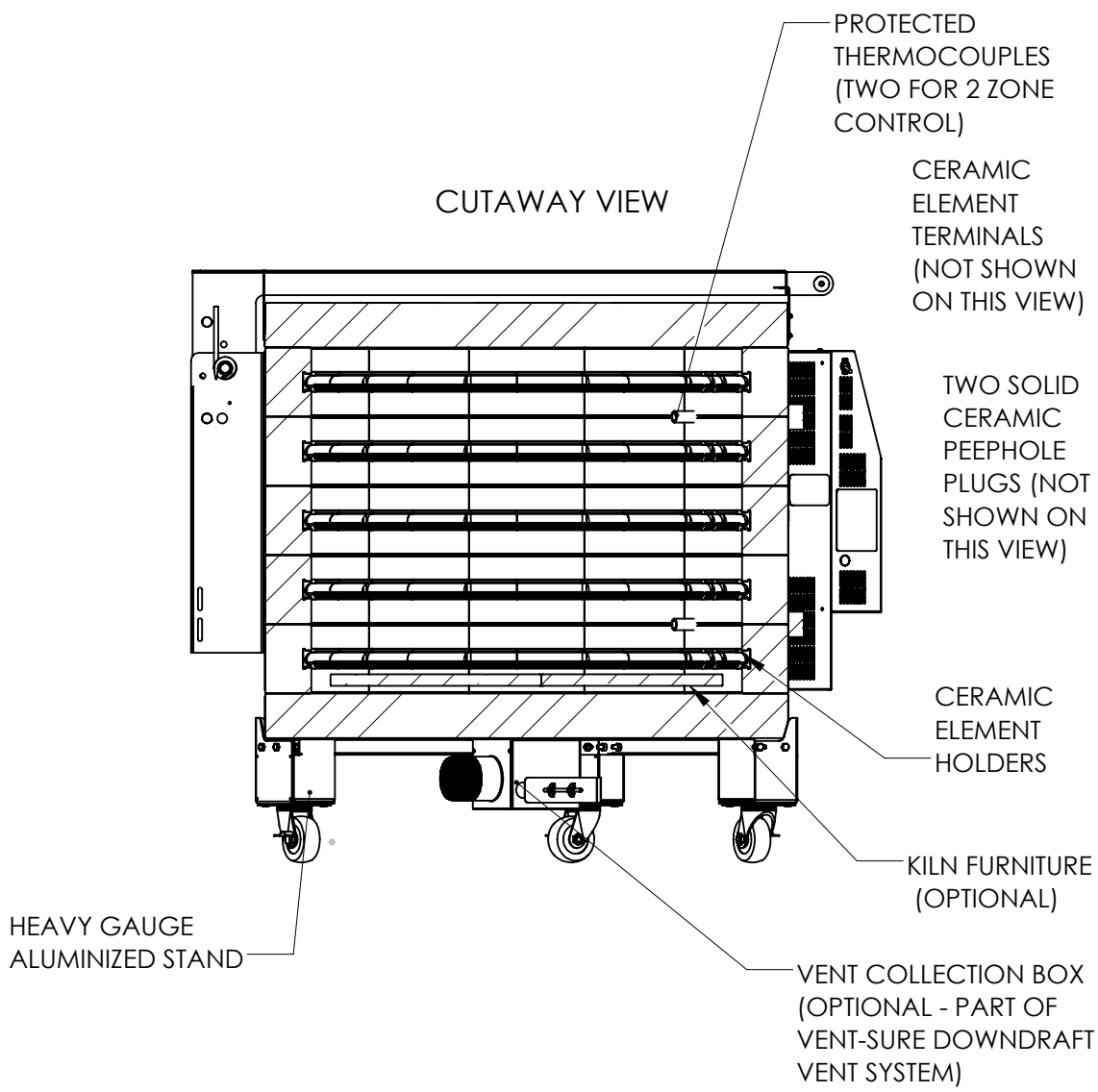
3

2

1



CUTAWAY VIEW



OPTIONAL FURNITURE KIT: (6) 25.5" [64.7cm] HALF ROUND SHELVES, SIX EACH 1/2", 1", 2", 4", 6" & 8" SQUARE POSTS

MADE FROM NEW	DRAWN BY SJL	DATE 09/01/19	SCALE 1:12	TITLE e28M-3 (3" BRICK) GENERAL DIMENSIONS	 505 SHARPTOWN RD SWEDESBORO NJ 08085 PH: (856) 294-0077 FAX: (856) 294-0070	REV B	SHEET OF 3/3	DRAWING NO. 200-000-60-2.5
------------------	-----------------	------------------	---------------	-----------------------------------------------	----------------------------------------------------------------------------------------------------------------------------------------------------------------------------	----------	-----------------	-------------------------------