



PLUG-N-FIRE

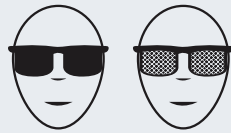
QUICK START GUIDE



hotkilns.com

REV: 3/11/25

VIEWING INTO KILN



Use dark glasses (shade number 1.7 to 3.0) to view inside the kiln through the peepholes when firing.

KEEP FLAMMABLES AWAY FROM KILN



Do not put sealed containers or combustible materials such as solvents, paper, rags, in or near kiln. An explosion or fire could result.

TURN OFF POWER WHILE LOADING

Turn off power to the kiln when loading or servicing.



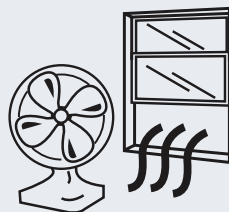
CHILDREN & PETS

Protect any children, animals, and unqualified adults (anyone who is not able to understand these cautions) that may be near the kiln.



VENTILATION IS ESSENTIAL

Kilns generate harmful fumes when firing ceramics. Fumes include carbon monoxide, sulfur oxides, hydrogen fluoride and metal vapors (all of which can be very toxic).



DO NOT STORE ANYTHING ON LID

Do not use the lid as a storage shelf. The lid could crack.



DO NOT FIRE TOXIC, FLAMMABLE, OR UNKNOWN MATERIALS

Flammable or unknown materials can decompose under heat causing the release of highly toxic fumes or rapid uncontrollable combustion.



NO EXTENSION CORDS

Locate the outlet close enough to the kiln to plug directly into it with the kiln's supplied power cord.



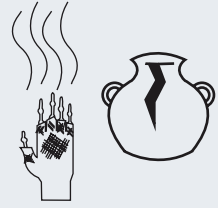
SURFACE IS HOT AND CAN CAUSE BURNS

Kiln surface can be extremely hot: up to 500°F(260°C). You can be severely burned if you touch the hot surface.



DO NOT UNLOAD KILN WHILE HOT

You may burn yourself or you may harm your work.



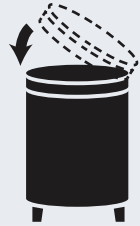
ATTEND THE FIRING

We recommend attending the kiln while firing. Be especially careful about attending the kiln when it is scheduled to shut off.



KEEP LID CLOSED WHEN KILN IS NOT USED

Keep lid closed when not operating the kiln. Keeping the lid closed will keep out dust and extend the longevity of your kiln.



ELECTRICAL SAFETY

Lock out all electrical power before repairing kiln. Have electrical installation performed by a licensed electrician.



SPRINKLER CAUTIONS

If you have a sprinkler system be careful to check the temperature rating and location of the heads so that you do not inadvertently cause them to activate under normal firing conditions.



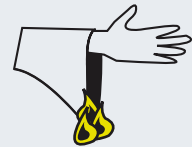
FIRE EXTINGUISHER

Keep an adequate fire extinguisher near the kiln and check it on a regular basis.



AVOID LOOSE/ FLAMMABLE CLOTHING

When working around a hot kiln be careful of the kinds of clothes you are wearing. Some clothes could potentially catch on fire if they touch the hot surface of a kiln.



DO NOT OPEN DOOR ABOVE 250°F

Do not open the kiln door until the kiln has cooled down to 250°F (120°C).



KEEP KILN DRY

Kiln must be kept dry and protected from moisture. It is best to keep kiln in an enclosed room away from inclement weather and dew formation.

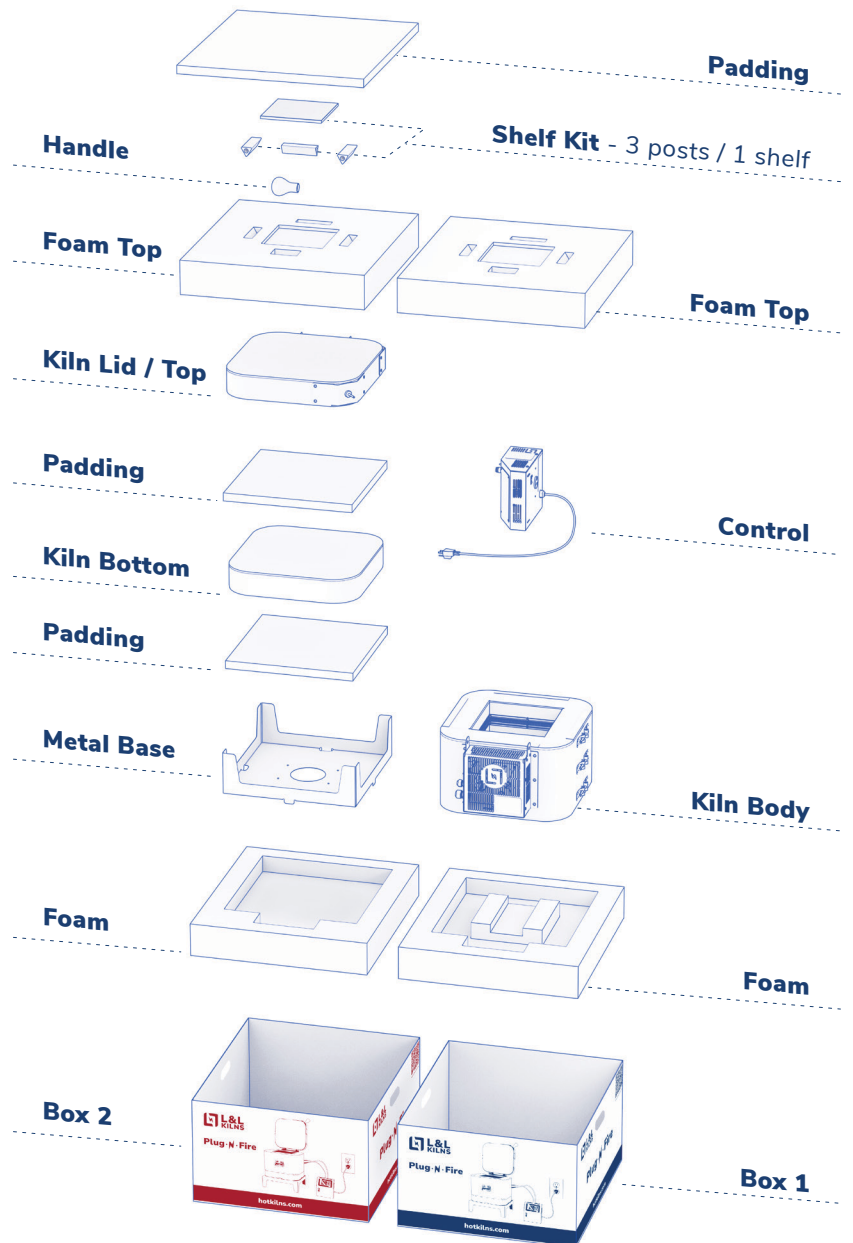


WHAT'S INSIDE Unpacking

Your Plug-N-Fire will arrive in two separate boxes. Box 1 (blue) contains the main ring and the Genesis mini controller, while Box 2 (red) contains the stand, bottom, lid, and furniture kit. Unpack both boxes and keep everything organized.

VENTILATION

- **No Vent Needed:** Compact design eliminates dedicated vent system.
- **Ventilation Tip:** Use in a well-ventilated area for performance, air quality, and safety.



IMPORTANT KILN CALIBRATION Get To Know Your Kiln

Review our guides on kiln calibration and using pyrometric cones. Always fire with witness cones to verify accuracy and make necessary adjustments.

Your Plug-N-Fire kiln may fire hotter than programmed due to its additional backup insulation. To compensate, use **cone offsets** to fine-tune the firing results. If your kiln consistently overfires by a full cone, start with a cone offset of **-30°F** and adjust as needed.

Because of its smaller size, the Plug-N-Fire cools faster than larger kilns. To mimic the natural cooling curve of a larger kiln, program a controlled cooldown: drop **100°F**, then cool at **175°F per hour to 1500°F**. This method should have minimal impact on overall heat work.

hotkilns.com/support/kiln-calibration

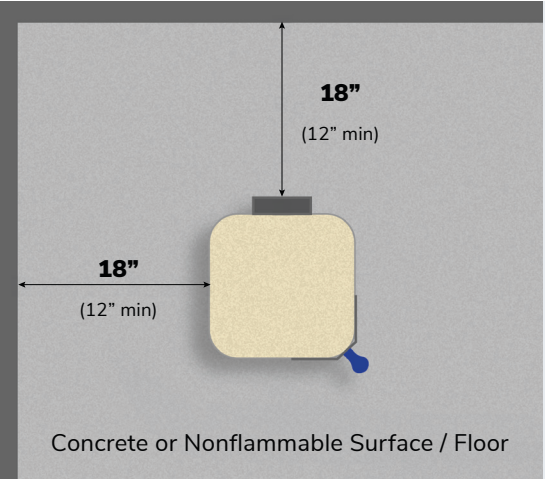


INSTALLATION

Placement

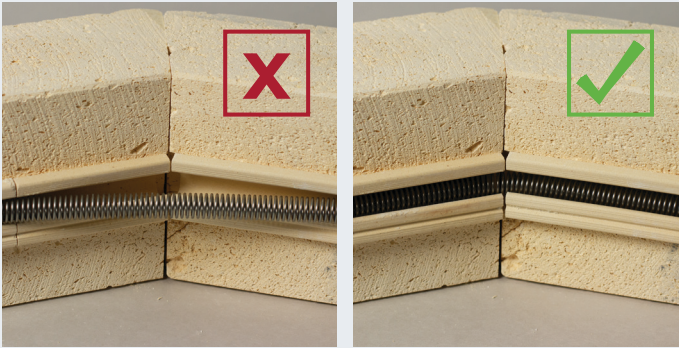
hotkilns.com/instruct/plug-n-fire

- **Floor Surface:** Use non-combustible surfaces (cement, ceramic, stone, slate, cinder blocks, brick).
- **Avoid:** Wood, vinyl, carpet; protect linoleum with a non-combustible covering.
- **Work Table:** May be placed on a non-combustible raised table.
- **Clearance:** Maintain 18" clearance from non-combustible walls, 12" minimum; 3 feet from combustible surfaces.



PRE-ASSEMBLY

Element Check



Make sure the elements rest completely in the channels

REMOVE

Element Clips

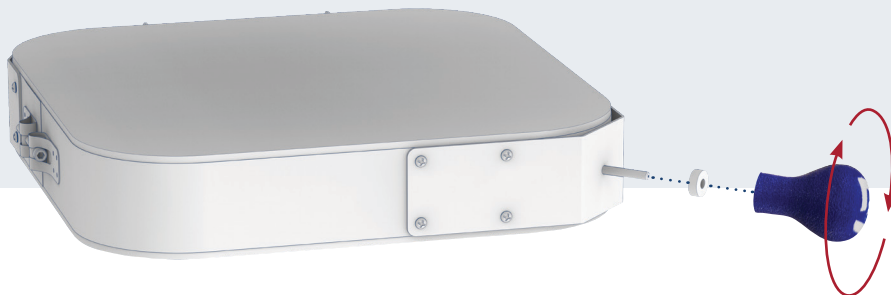


Remove transport clips from element channels located in the kiln body.

PRE-ASSEMBLY

Handle Attachment

Place ceramic washer on handle bolt and twist the handle until firm. Do not over tighten

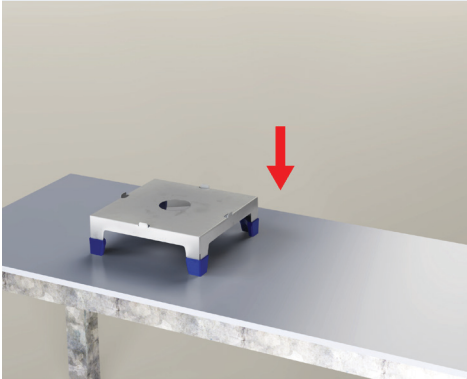


ASSEMBLY

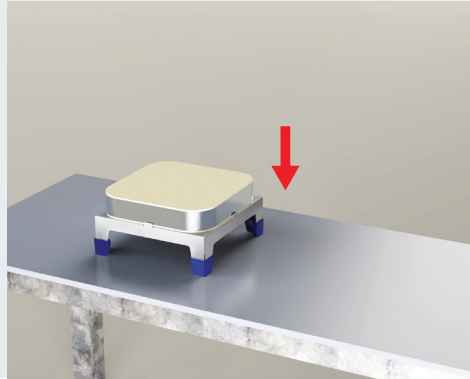
Base Setup

hotkilns.com/instruct/plug-n-fire

1. Place the metal base



2. Place kiln bottom on stand.



3. Place the kiln body



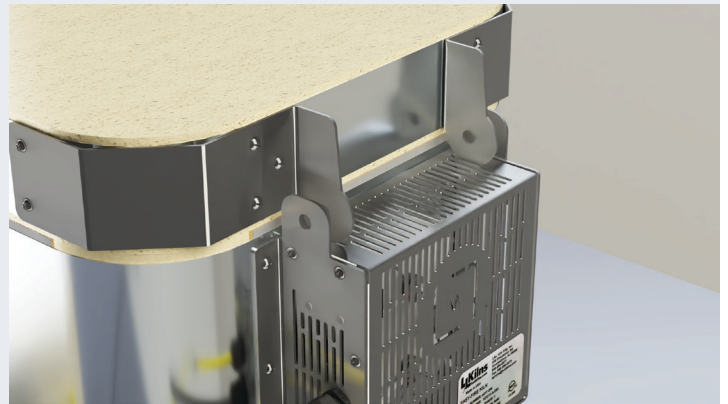
ASSEMBLY

Hinge Assembly

4. Place the lid, align like shown



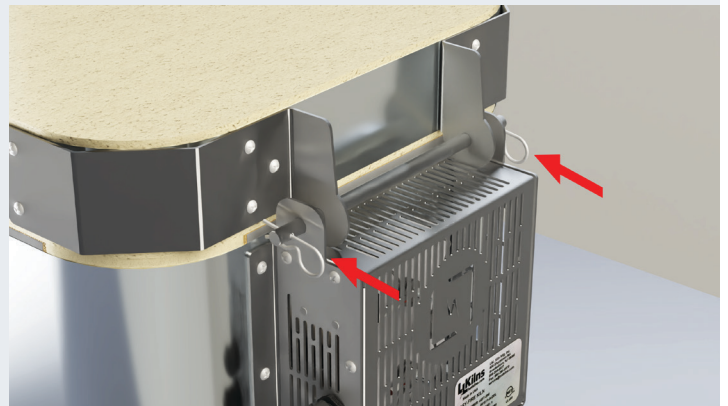
5. Hinge "ears" should sit in outer slots



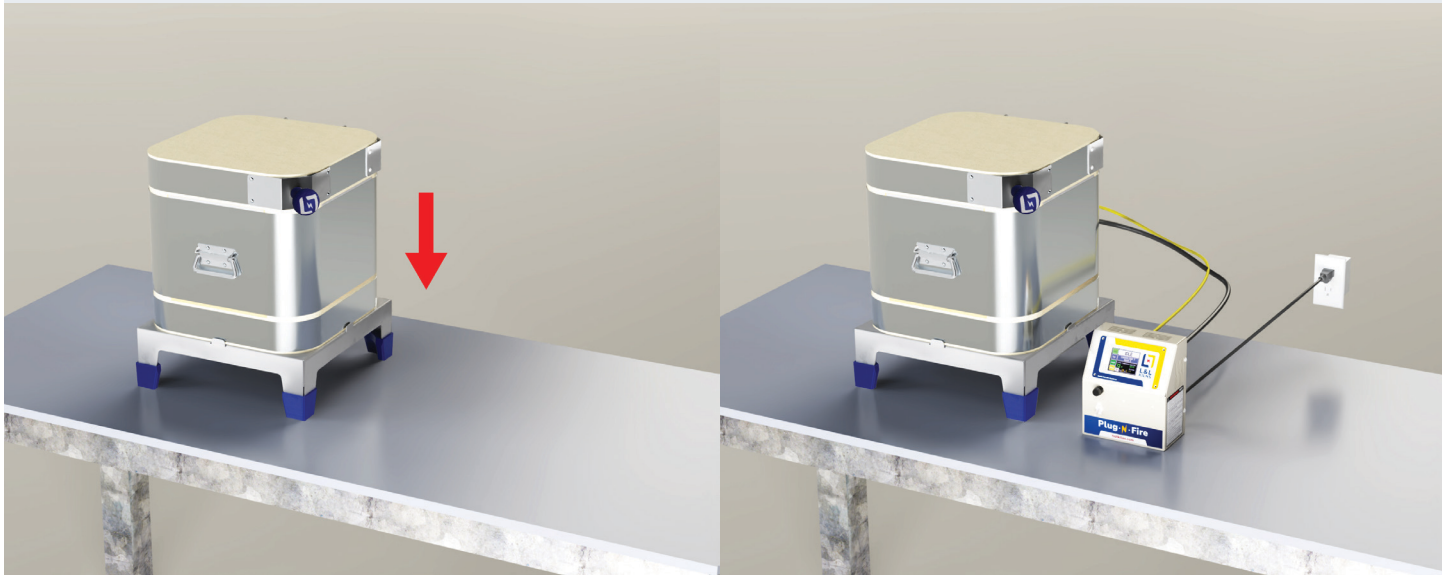
6. Insert hinge bar



7. Use 2 cotter pins to secure bar in place



8. Place the control box in place



9. Connect the power wire and thermocouple wire between controls and element box.



Ready To Fire!

Plug in and move on to your first firing!



View online video
or check the
genesis manual
for first firing

hotkilns.com/genesis/first-firing



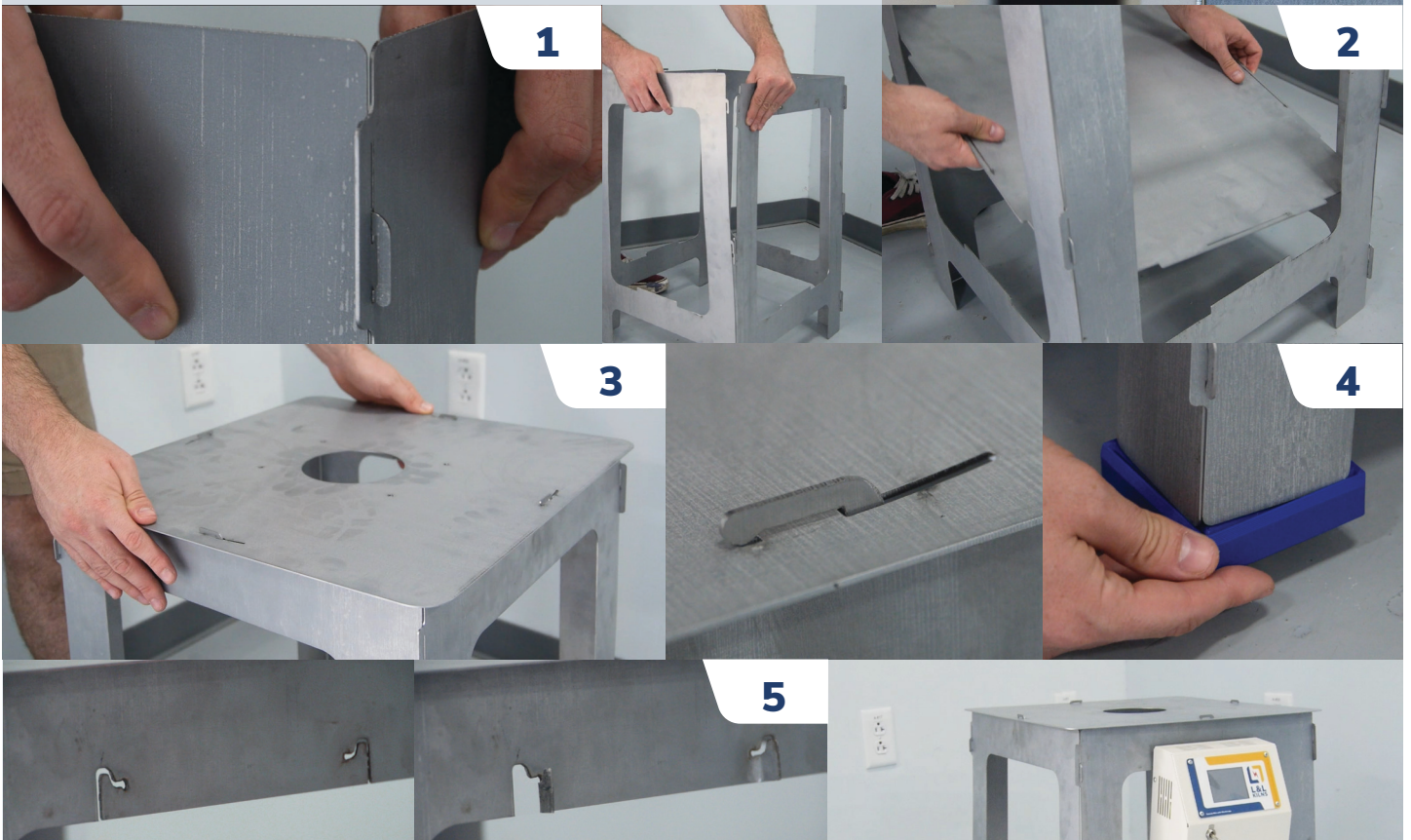
TALL STAND

No hardware needed for assembly

Comes with 4 sides , 1 platform (hole in center) and 1 Shelf

1. Slot together the 4 sides of the tall stand.
2. Place the shelf at the base of the 4 assembled sides
3. Put the top platform on, align and twist to lock in the tabs
4. Place the 4 plastic feet on the bottom of each leg (4)
5. If desired, bend out the tabs to hang your controls

*Tall stand does not have a rolling option



Details and Assembly Video

hotkilns.com

/kiln-accessories/tall-stand-plug-n-fire



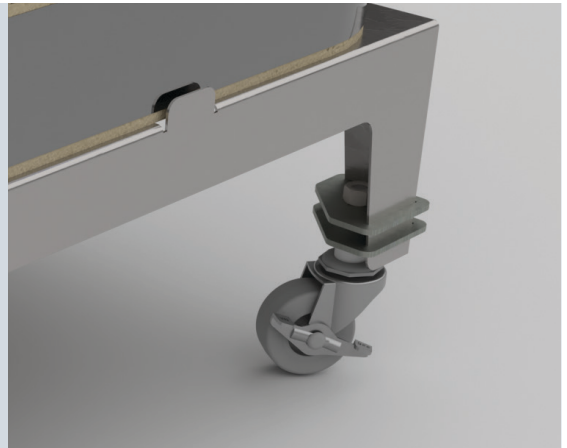
ROLLING STAND UPGRADE

Works with standard Plug-n-Fire stand.

Comes with 4 caster wheels with slotted brackets.

1. Place each caster on the tapered legs of the Plug-n-Fire stand
2. Press down to nest each caster onto the legs using the top of the stand.
3. Place your Plug-n-Fire on the stand and get rolling!

*Tall stand does not have a rolling option

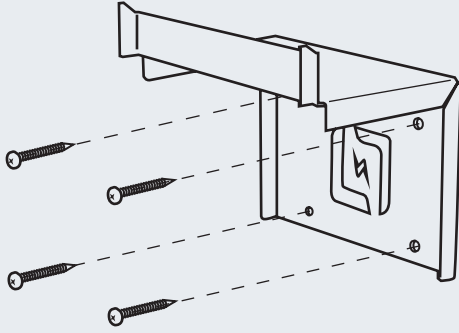


Details At

hotkilns.com

[/kiln-accessories/rolling-stand-plug-n-fire](https://hotkilns.com/kiln-accessories/rolling-stand-plug-n-fire)

WALL-MOUNT BRACKET



Details at

[hotkilns.com
/kiln-accessories
/wall-mount-bracket
-plug-n-fire](https://hotkilns.com/kiln-accessories/wall-mount-bracket-plug-n-fire)

Use appropriate anchors based on where you choose to mount (Drywall anchors, wood screws, masonry screws, etc.)
Screws are not included with mount.

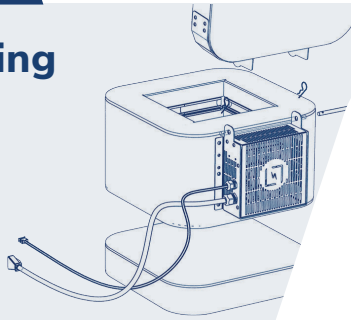
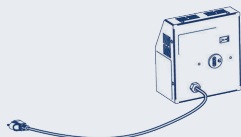


TROUBLESHOOTING

hotkilns.com/pnftroubleshooting

For Plug-n-Fire Troubleshooting

Videos, Guides , Updates & More



LOADING & SHELF PLACEMENTS

Option 1:

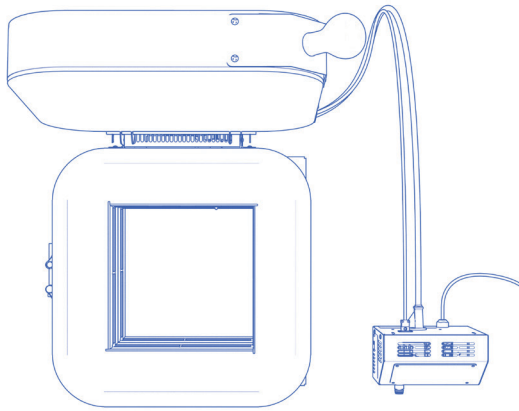
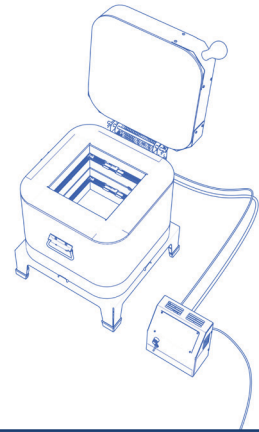
Firing Without A Shelf

Apply kiln wash to the kiln brick base.

Pro: maximize firing area.

Con: potentially damage the soft brick / less air circulation.

Fix: if glaze sticks and damage occurs the base is not attached and can be flipped over.



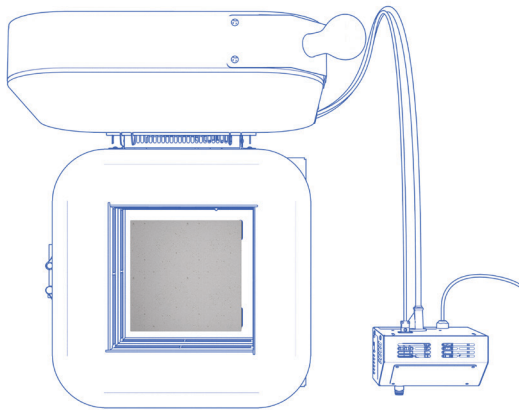
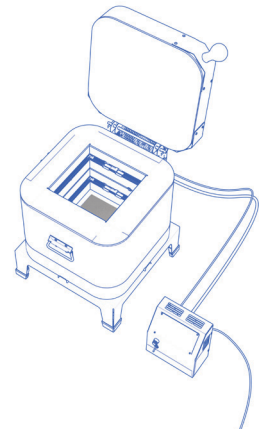
Option 2:

Firing With A Shelf Only

Apply kiln wash to the shelf and place directly on the base of the kiln.

Pro: maximize firing area / protect base.

Con: less air circulation.

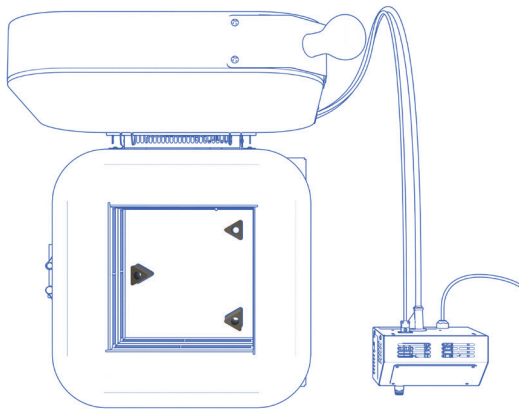
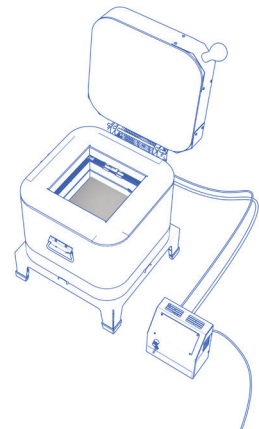
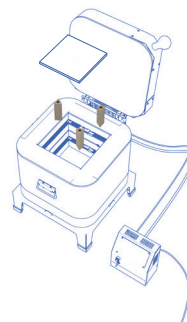


Option 3:

Use The Provided Furniture Kit

Pro: good air flow.

Con: less height in firing area.



Data Nameplate Information

You can find this information on the data nameplate attached to your kiln. Record it here for easy reference.

Model Number: _____

Serial Number: _____

Voltage: _____ Phase: _____

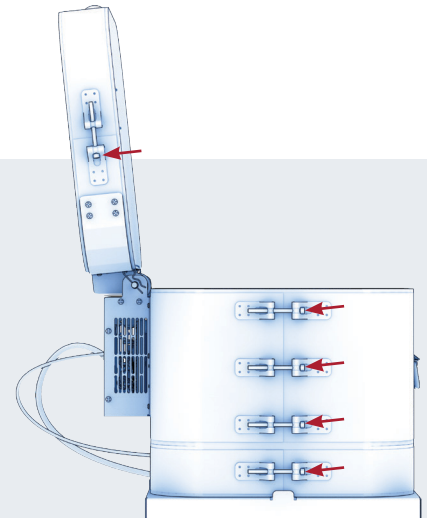
DISTRIBUTOR

Distributor: _____

Distributor Phone Number: _____

Moving Your Kiln

If you need to relocate the Plug-N-Fire kiln, you can easily disassemble and reassemble it at the new location. However, it's crucial to be aware that kilns expand and contract during the firing process, which can cause the steel case to loosen over time. Therefore, if the kiln has been fired, ensure you tighten the steel case before moving it. This precaution helps maintain the kiln's structural integrity and ensures safe transport.



In-Depth Instructions Online

hotkilns.com/instruct/plug-n-fire

GETTING STARTED

1. INSTALLATION
2. ASSEMBLY
3. MOVING
4. IMPORTANT FIRING TIPS
5. CAUTIONS
6. CONTROLS

7. MAINTENANCE & LOGGING

8. CONES, TIPS, CERAMIC PROCESS
9. TROUBLESHOOTING
10. SERVICE
11. RESOURCES

