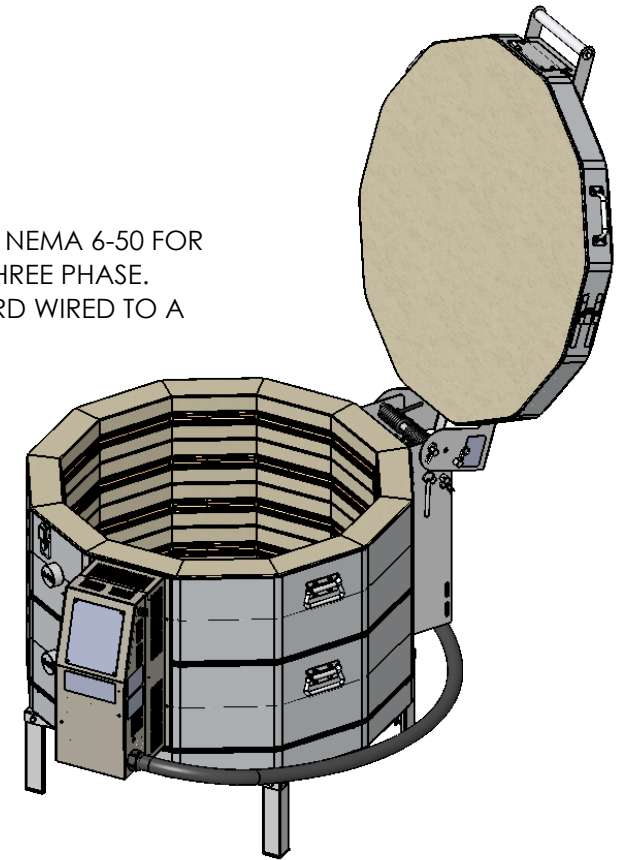
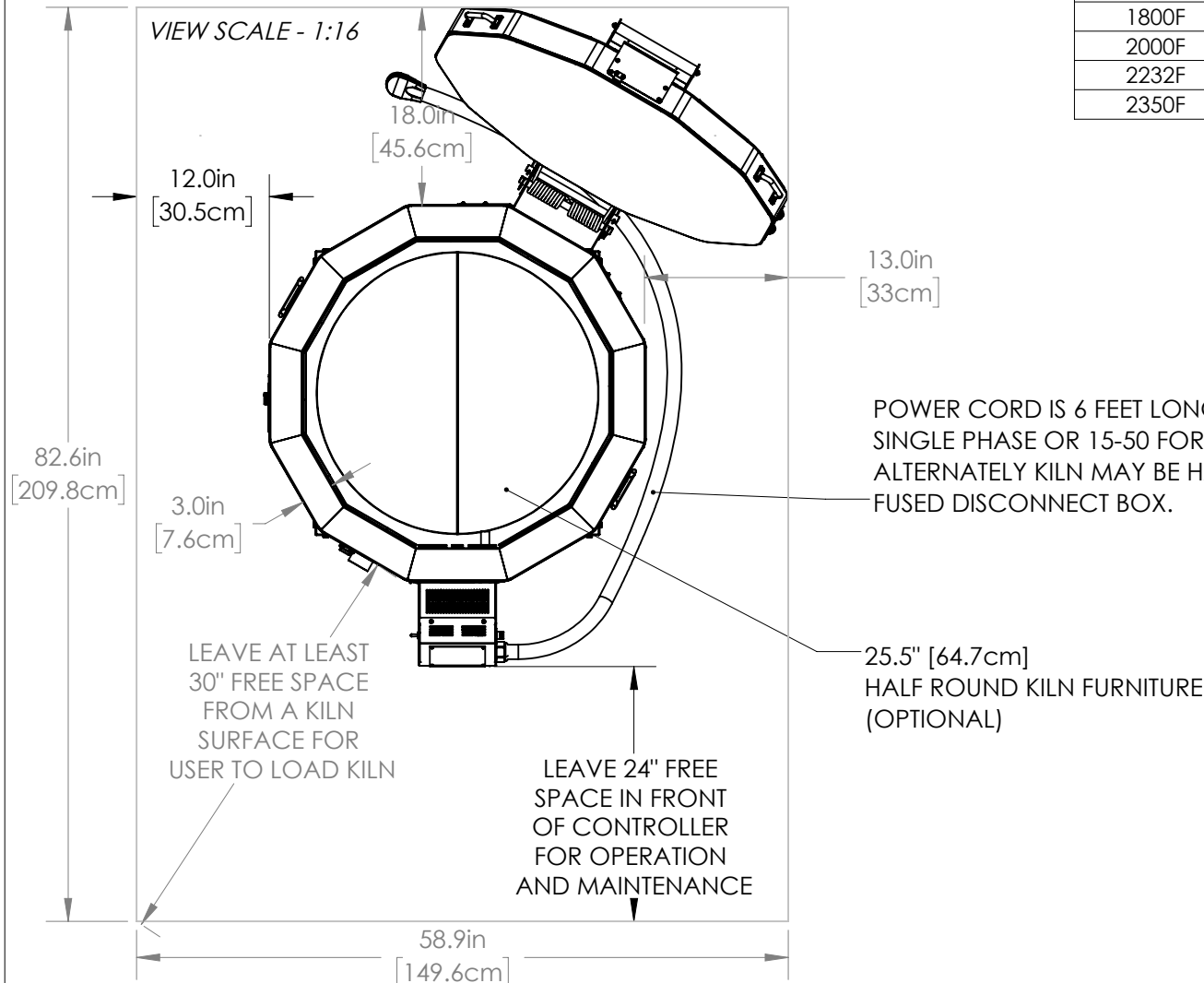


- 1. WALL/KILN SPACING:** 12" [30.5cm] SPACING BETWEEN SIDES OF KILN AND WALLS OR OTHER OBJECTS. 18" [45.7cm] IS RECOMMENDED. LEAVE AT LEAST 18" [45.7cm] BETWEEN TWO KILNS.
- 2. AMBIENT VENTILATION:** SEE CHART TO RIGHT FOR RATINGS. TO CALCULATE REQUIREMENTS, SEE hotkilns.com/calculate-kiln-room-ventilation.
- 3. KILN VENTILATION:** L&L VENT-SURE KILN VENT RECOMMENDED FOR SAFETY AND LONGER ELEMENT LIFE. OPTIONAL CONTROL ALLOWS VENT TO BE TURNED ON AND OFF WITH CONTROL.

- 4. OTHER INFO:** REFER TO INSTALLATION INSTRUCTIONS AND CAUTIONS INSTRUCTIONS FOR OTHER REQUIREMENTS AND SAFETY INFORMATION. REFER TO WIRING DIAGRAM FOR ELECTRICAL HOOKUP INFORMATION.
- 5. MAX LOAD WEIGHT:** SEE hotkilns.com/load-weight.
- 6. WEIGHT OF KILN:** 350 LBS, 159 KG

BTUS/ KILOJOULES PER HOUR NEEDED TO BE VENTED WITH AMBIENT ROOM VENTILATION (THIS IS IN ADDITION TO KILN VENTING):

AT TEMP F	BTUS	AT TEMP C	KILOJOULES
1800F	12173	980C	12844
2000F	14232	1095C	15016
2232F	16806	1222C	17731
2350F	18190	1285C	19192

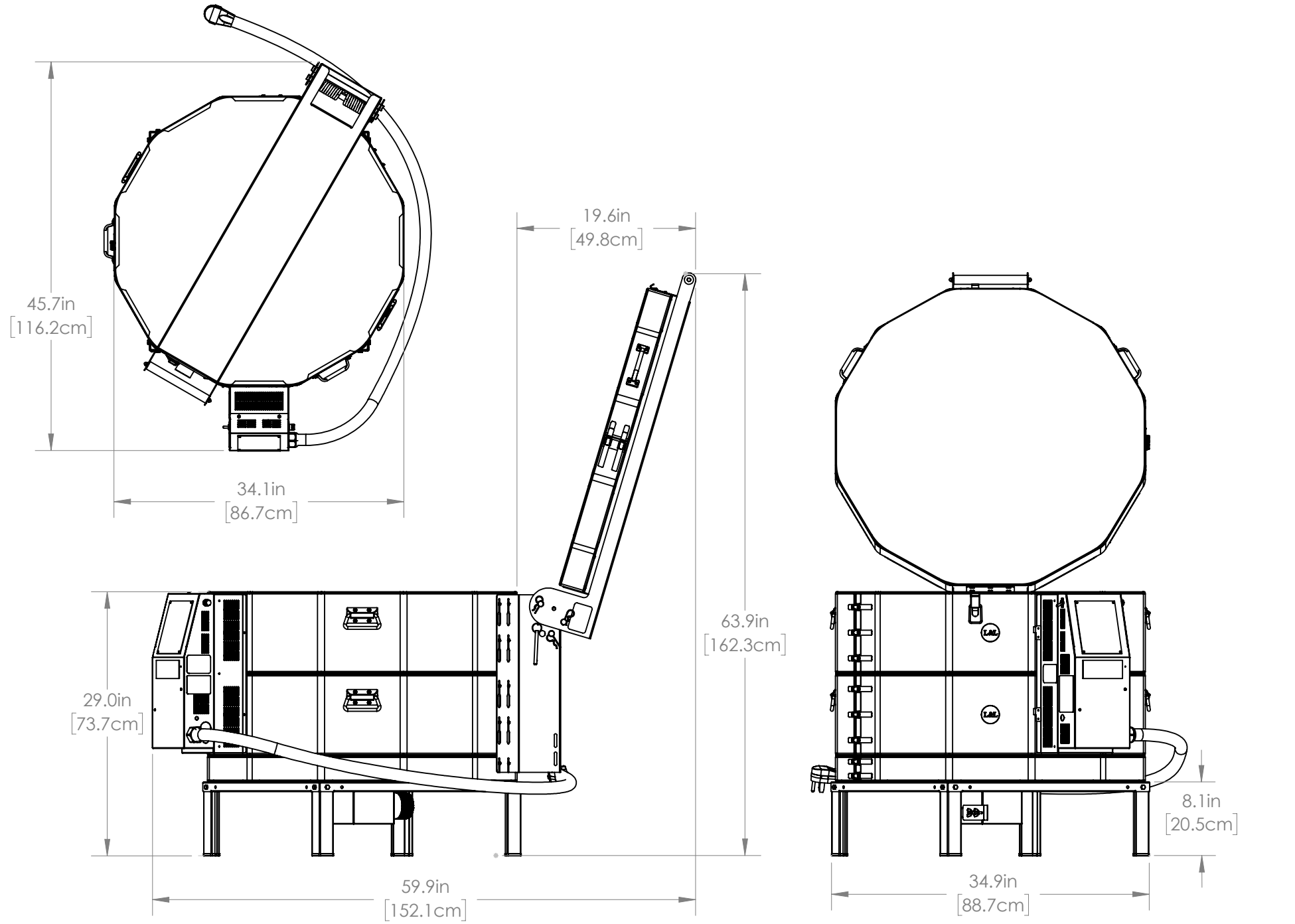


MADE FROM NEW
 DRAWN BY SJL
 DATE 09/01/19
 SCALE 1:17
 TITLE e28S-3 (3" BRICK) GENERAL DIMENSIONS



505 SHARPTOWN RD
 SWEDSBORO NJ 08085
 PH: (856) 294-0077
 FAX: (856) 294-0070

REV B
 SHEET OF 1/3
 DRAWING NO. 200-000-60-2



MADE FROM
NEW

DRAWN BY
SJL

DATE
09/01/19

SCALE
1:14

TITLE
e28S-3 (3" BRICK) GENERAL DIMENSIONS



505 SHARPTOWN RD
SWEDESBORO NJ 08085
PH: (856) 294-0077
FAX: (856) 294-0070

REV
B

SHEET OF
2/3

DRAWING NO.
200-000-60-2

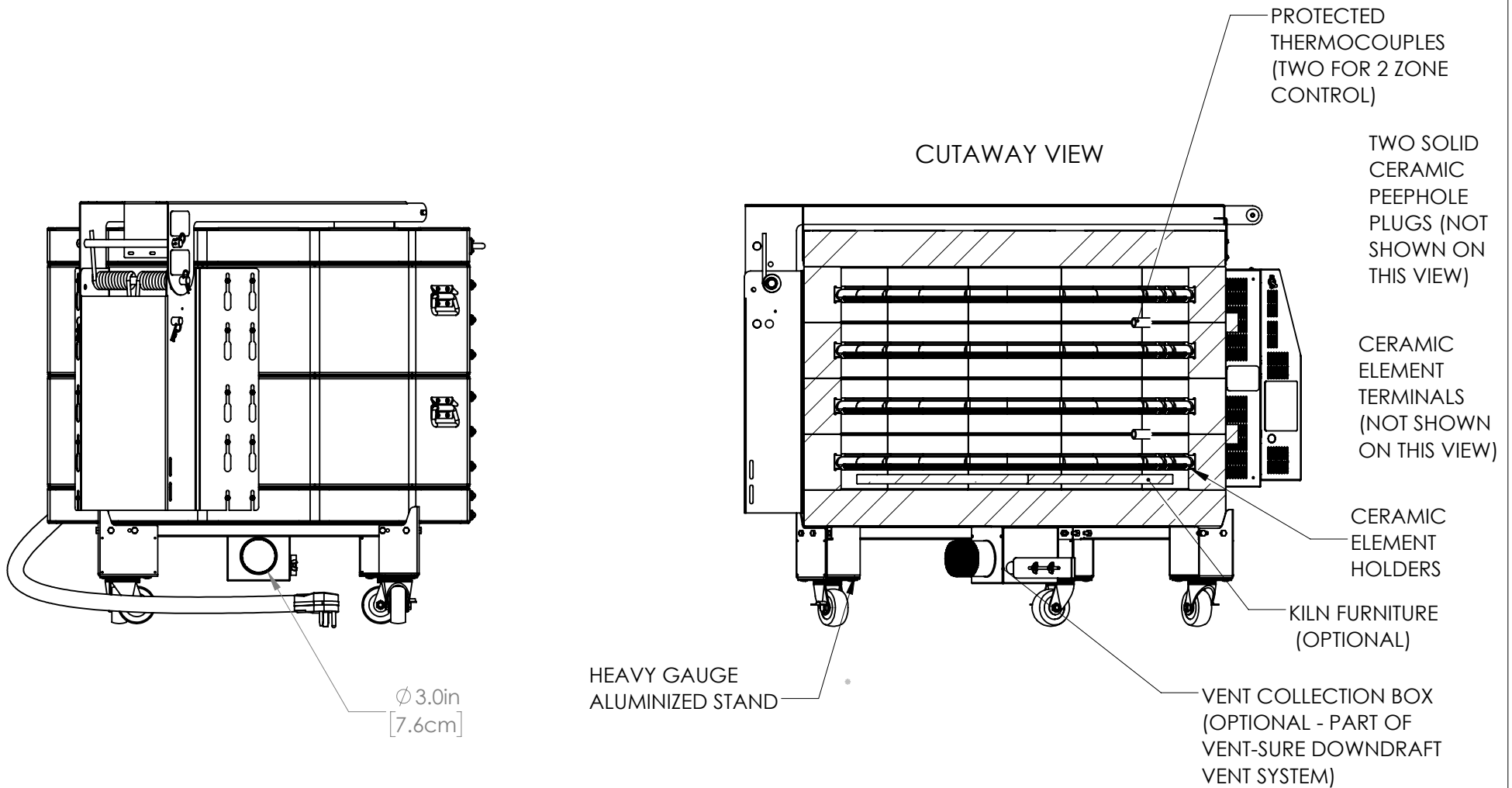
5

4

3

2

1



OPTIONAL FURNITURE KIT: (6) 25.5" [64.7cm] HALF ROUND SHELVES, SIX EACH 1/2", 1", 2", 4", 6" & 8" SQUARE POSTS

MADE FROM NEW	DRAWN BY SJL	DATE 09/01/19	SCALE 1:12	TITLE e28S-3 (3" BRICK) GENERAL DIMENSIONS		505 SHARPTOWN RD SWEDESBORO NJ 08085 PH: (856) 294-0077 FAX: (856) 294-0070	REV B	SHEET OF 3/3	DRAWING NO. 200-000-60-2
------------------	-----------------	------------------	---------------	---	---	--	----------	-----------------	-----------------------------