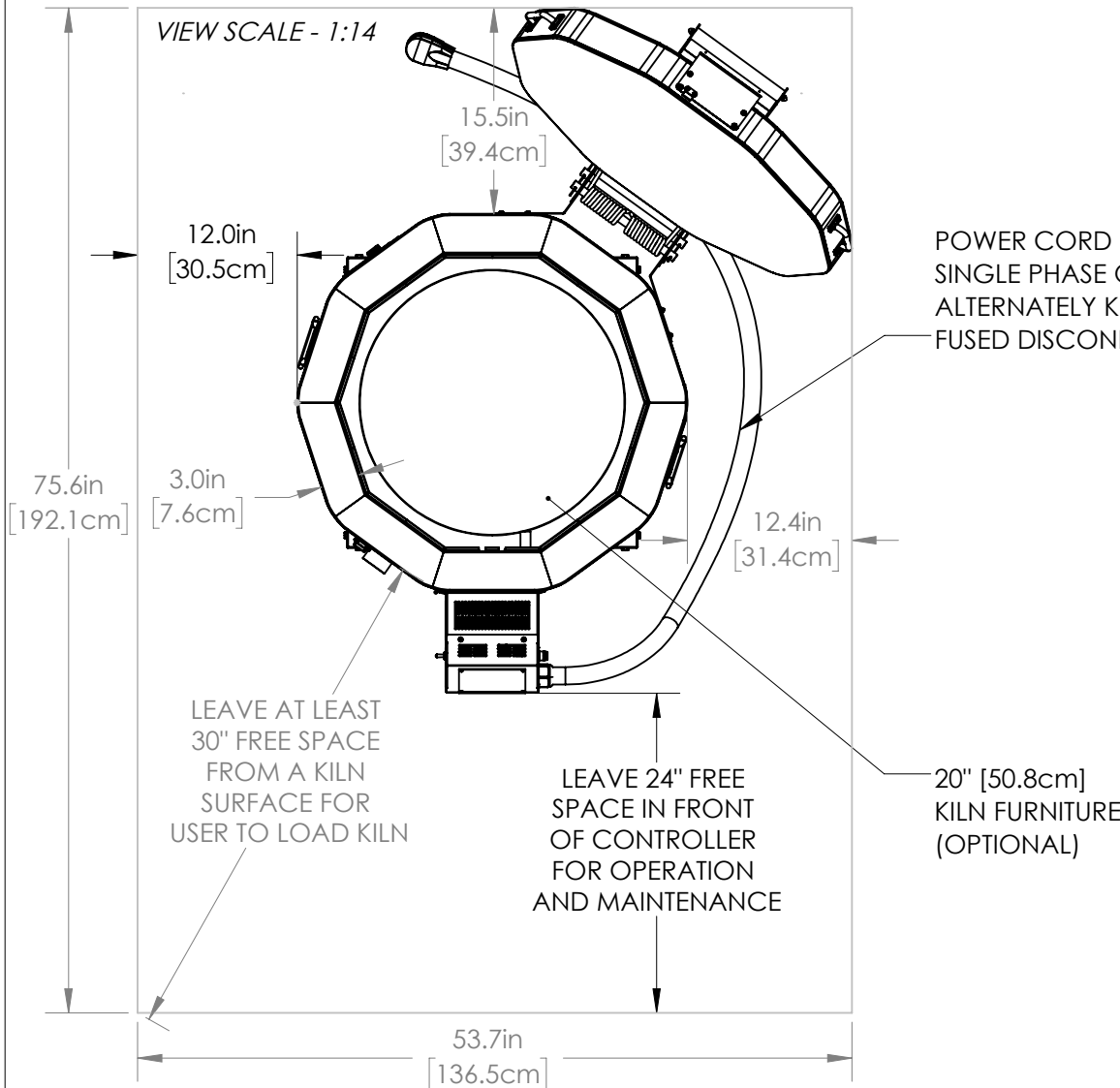


- 1. WALL/KILN SPACING:** 12" [30.5cm] SPACING BETWEEN SIDES OF KILN AND WALLS OR OTHER OBJECTS. 18" [45.7cm] IS RECOMMENDED. LEAVE AT LEAST 18" [45.7cm] BETWEEN TWO KILNS.
- 2. AMBIENT VENTILATION:** SEE CHART TO RIGHT FOR RATINGS. TO CALCULATE REQUIREMENTS, SEE [hotkilns.com/calculate-kiln-room-ventilation](http://hotkilns.com/calculate-kiln-room-ventilation).
- 3. KILN VENTILATION:** L&L VENT-SURE KILN VENT RECOMMENDED FOR SAFETY AND LONGER ELEMENT LIFE. OPTIONAL CONTROL ALLOWS VENT TO BE TURNED ON AND OFF WITH CONTROL.

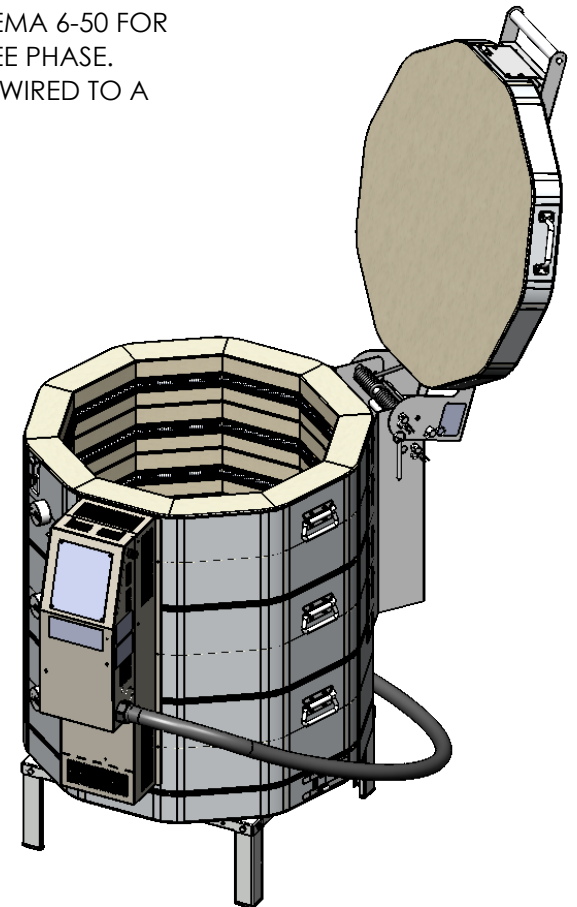
- 4. OTHER INFO:** REFER TO INSTALLATION INSTRUCTIONS AND CAUTIONS INSTRUCTIONS FOR OTHER REQUIREMENTS AND SAFETY INFORMATION. REFER TO WIRING DIAGRAM FOR ELECTRICAL HOOKUP INFORMATION.
- 5. MAX LOAD WEIGHT:** SEE [hotkilns.com/load-weight](http://hotkilns.com/load-weight).
- 6. WEIGHT OF KILN:** 320 LBS, 146 KG

BTUS/ KILOJOULES PER HOUR NEEDED TO BE VENTED WITH AMBIENT ROOM VENTILATION (THIS IS IN ADDITION TO KILN VENTING):

| AT TEMP F | BTUS  | AT TEMP C | KILOJOULES |
|-----------|-------|-----------|------------|
| 1800F     | 11667 | 980C      | 12309      |
| 2000F     | 13639 | 1095C     | 14390      |
| 2232F     | 16104 | 1222C     | 16991      |
| 2350F     | 17430 | 1285C     | 18390      |



POWER CORD IS 6 FEET LONG: NEMA 6-50 FOR SINGLE PHASE OR 15-50 FOR THREE PHASE. ALTERNATELY KILN MAY BE HARD WIRED TO A FUSED DISCONNECT BOX.

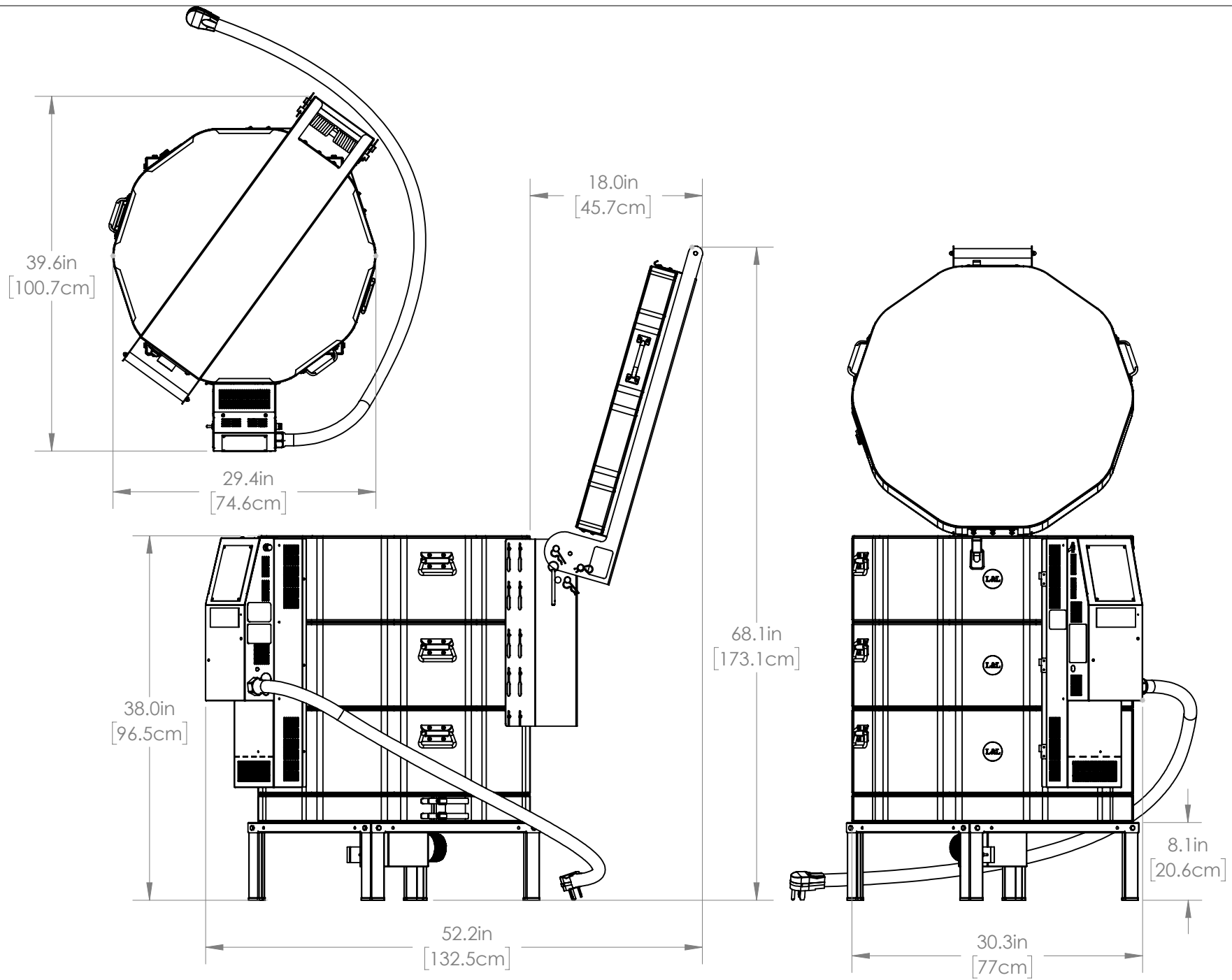


|                  |                 |                  |               |   |
|------------------|-----------------|------------------|---------------|---|
| MADE FROM<br>NEW | DRAWN BY<br>SJL | DATE<br>09/01/19 | SCALE<br>1:16 | TITLE<br>e23T-3 (3" BRICK) GENERAL DIMENSIONS |
|------------------|-----------------|------------------|---------------|---|



505 SHARPTOWN RD  
SWEDESBORO NJ 08085  
PH: (856) 294-0077  
FAX: (856) 294-0070

|          |                 |                             |
|----------|-----------------|-----------------------------|
| REV<br>B | SHEET OF<br>1/3 | DRAWING NO.<br>200-000-50-3 |
|----------|-----------------|-----------------------------|



MADE FROM  
NEW

DRAWN BY  
SJL

DATE  
09/01/19

SCALE  
1:14

TITLE  
e23T-3 (3" BRICK) GENERAL DIMENSIONS



505 SHARPTOWN RD  
SWEDESBORO NJ 08085  
PH: (856) 294-0077  
FAX: (856) 294-0070

REV  
B

SHEET OF  
2/3

DRAWING NO.  
200-000-50-3

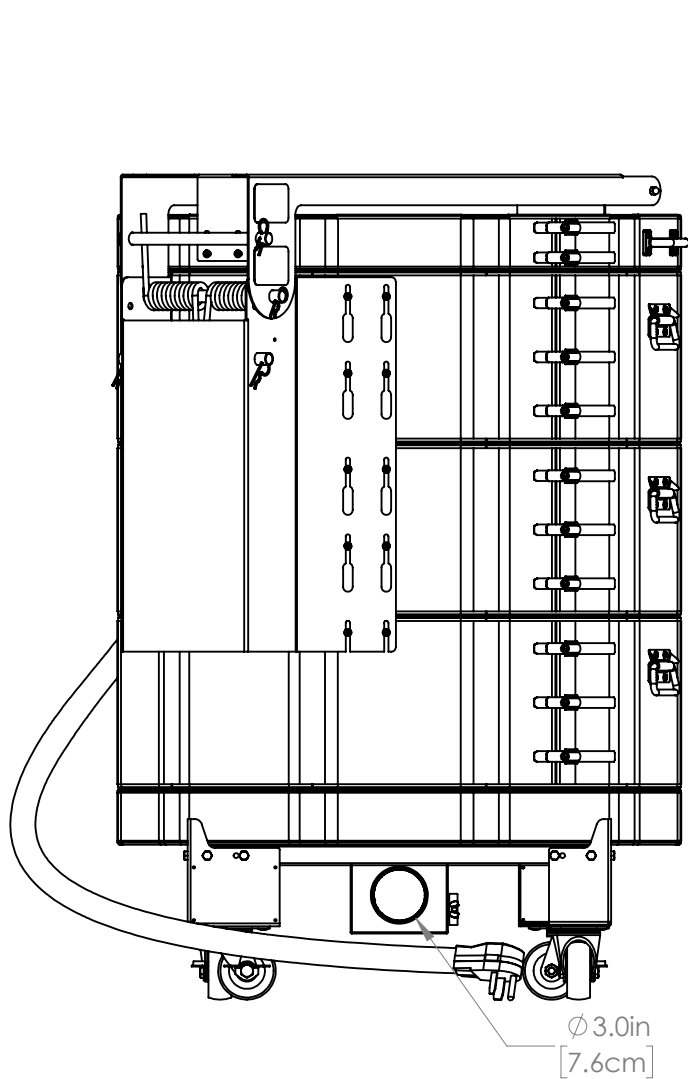
5

4

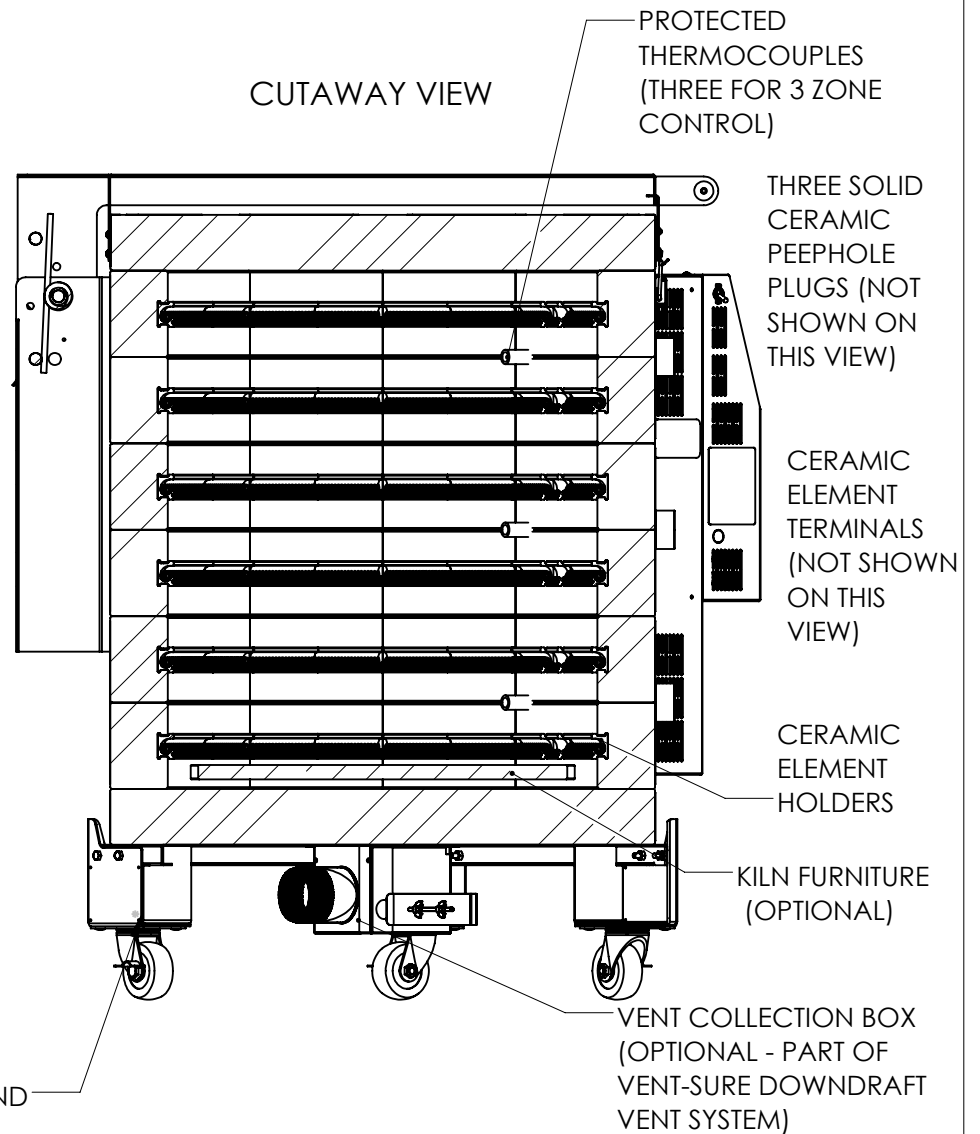
3

2

1



CUTAWAY VIEW



HEAVY GAUGE ALUMINIZED STAND

OPTIONAL FURNITURE KIT: (2) 20" [50.8cm] FULL ROUND SHELVES, (4) HALF ROUND SHELVES, SIX EACH 1/2", 1", 2", 4", 6" & 8" SQUARE POSTS

|                  |                 |                  |               |   |  |          |                 |                             |
|------------------|-----------------|------------------|---------------|---|--|----------|-----------------|-----------------------------|
| MADE FROM<br>NEW | DRAWN BY<br>SJL | DATE<br>09/01/19 | SCALE<br>1:10 | TITLE<br>e23T-3 (3" BRICK) GENERAL DIMENSIONS | 505 SHARPTOWN RD<br>SWEDESBORO NJ 08085<br>PH: (856) 294-0077<br>FAX: (856) 294-0070 | REV<br>B | SHEET OF<br>3/3 | DRAWING NO.<br>200-000-50-3 |
|------------------|-----------------|------------------|---------------|---|--|----------|-----------------|-----------------------------|