

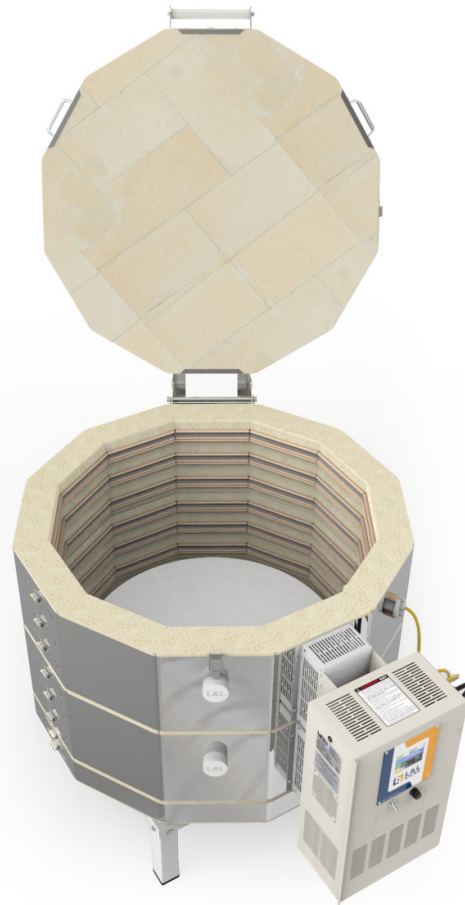
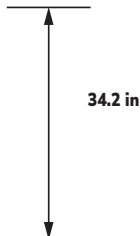
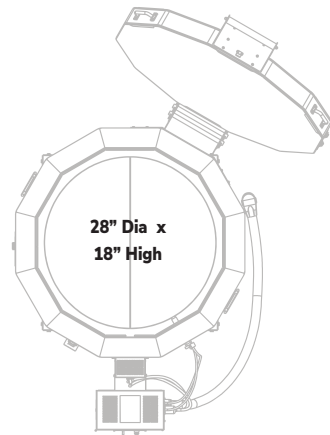
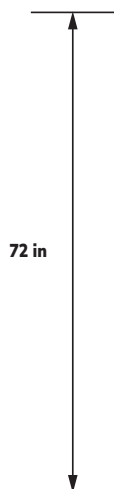
JD2918-3

Temperature Rating: Cone 10

Volume: 6.8 Cubic Feet

Brick Thickness: 3" Brick

Inside: 28" Dia x 18" High



The unique plug-in control panel and extreme sectional construction make Jupiter kilns ideal for sculptors and ceramic artists who need flexibility.

GENERAL DIMENSIONS



Scan OR Visit:
hotkilns.com
/JD2918-3-GD



- **Genesis Touch Screen Control** • with Kiln Aid app
- **Dynamic Zone Control** • for even firing
- **Hard Ceramic Element Channels** • protect your elements and kiln
- **Cone 5** (2170°F • 1190°C)
- **Type K Thermocouples (2)** • with protection tubes
- **3" • K23 Brick**
- **Top Loading** • spring assisted lid
- **Solid, Straight-View Peephole Plugs**
- **Full-Support Stand** • rolling option available
- **Plug-in Control Panel** • 480V optional
- **Three-Year Limited Warranty**
- **c-MET-us** listed to UL499 Standards
- **See hotkilns.com/JD2918-3 for all features and options**

TRUST YOUR KILN
hotkilns.com

Manufactured in Swedesboro, NJ
800-750-8350 • sales@hotkilns.com

Bulletin No: BL-JD2918-3 REV: 0

Page 1

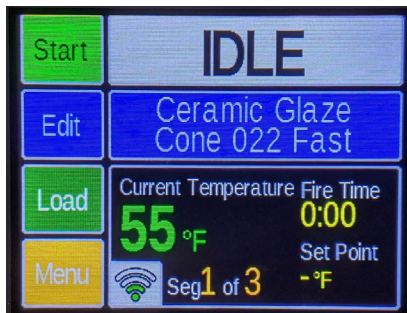


Electrical Specifications for JD2918-3

USA

Standard Models							Powered Bottom Models					
Model Number	Part Number	Volt/Phase	Watts	Amps	Wire Size	Fuse Size	Model Number	Part Number	Watts	Amps	Wire Size	Fuse Size
JD2918-3-240	K-A-291D/31	240/1P	9,120	38.0	6 ga	50	JD2918-3-PB-240	K-A-291B/31	12,162	50.7	4 ga	70
JD2918-3-240-3P	K-A-291D/32	240/3P	9,120	32.9	6 ga	50	JD2918-3-PB-240-3P	K-A-291B/32	12,162	32.9	6 ga	50
JD2918-3-208	K-A-291D/21	208/1P	8,320	40.0	6 ga	50	JD2918-3-PB-208	K-A-291B/21	11,095	53.3	4 ga	70
JD2918-3-208-3P	K-A-291D/22	208/3P	8,320	34.6	6 ga	50	JD2918-3-PB-208-3P	K-A-291B/22	11,095	34.7	6 ga	50
JD2918-3-220	K-A-291D/41	220/1P	8,360	38.0	6 ga	50	JD2918-3-PB-220	K-A-291B/41	11,148	50.7	4 ga	70
JD2918-3-380-3PY	K-A-291D/52	380/3Y	8,360	19.0	12 ga	25	JD2918-3-PB-380-3Y	K-A-291B/52	11,148	19.0	12 ga	25

WORLD



Control: Full digital touchscreen Genesis control with easy-to-use interface, WiFi enabled app, and simple programs for firing ceramics.

Cone Rating: Cone 5.

MET UL499 Listing: All models are c-MET-us listed to UL499 standard.

Power connection: A six foot cord with a 50 amp NEMA 6-50 for single phase units or a 15-50 plug for 3 phase units is included if the kiln amperage is below 48 amps (if the kiln amperage is above 48 amps the kiln is direct wire only). No neutral is necessary. All kilns may be direct wired by the customer with no effect on

warranty or MET listing. World voltage kilns do not include a cord - they are direct wired. All kilns may be direct wired.

Wiring Diagrams: See **the Electrical Tab** for each kiln model to get the wiring diagram for each voltage.

Elements: All elements are of equal resistance value. Six elements standard. All Jupiter kilns with the Quad option feature two elements in four rows per section. Powered Bottom adds two elements.

Other voltages for any country in the world are available. Examples are 200V/3 Phase Delta, 220V/3 Phase Delta, 415V/3 Phase Wye and 400V/3 Phase Wye. CE Listing available in some countries. See 380 Volt diagrams for electrical specifications for 400V/3 Phase Wye and 415V/3 Phase Wye.

Power Bottoms: Power bottoms are special order only. Electrical specifications are shown above.



FURNITURE KIT FOR JD2918-3

Part Number: H-J-K290/00

Includes: Six 25.5" (64.8 cm) half shelves, One post kit with 6 each 1/2", 1", 2", 4", 6", and 8" square posts, and one pair heat resistant gloves.