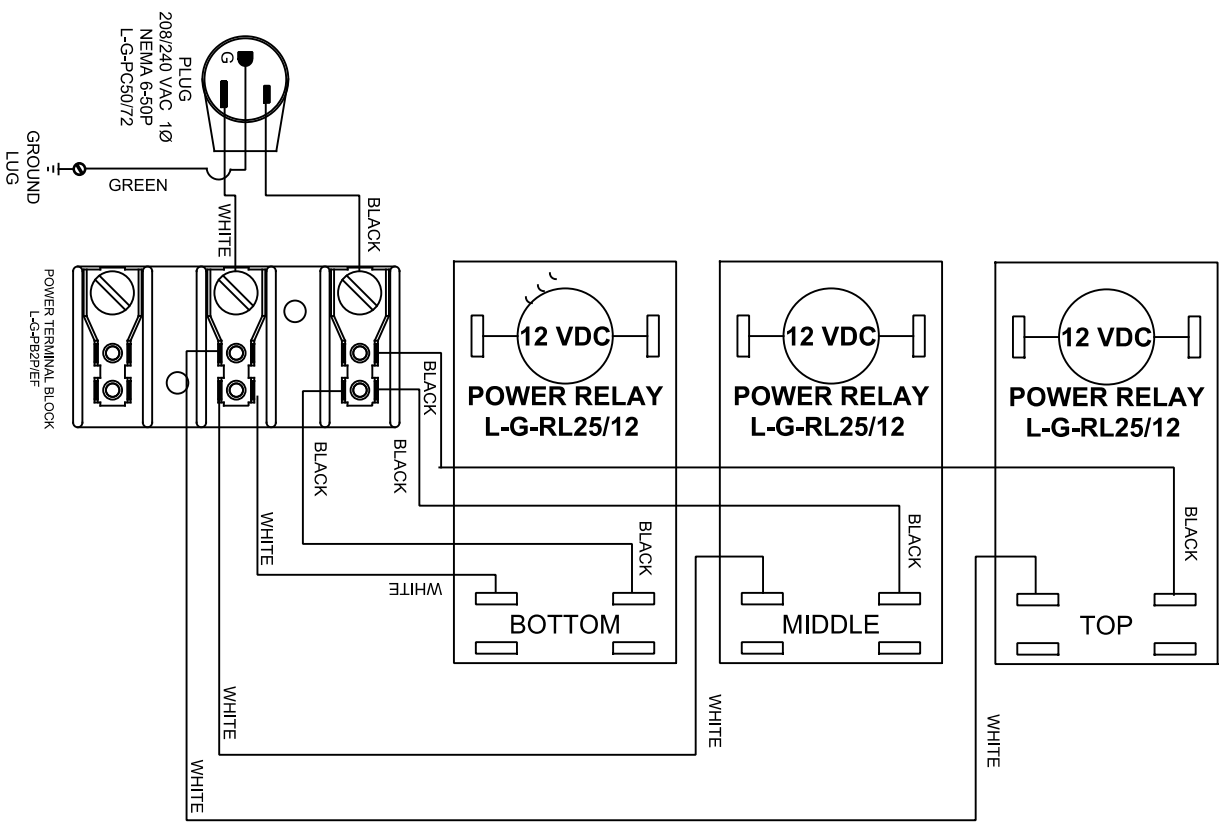
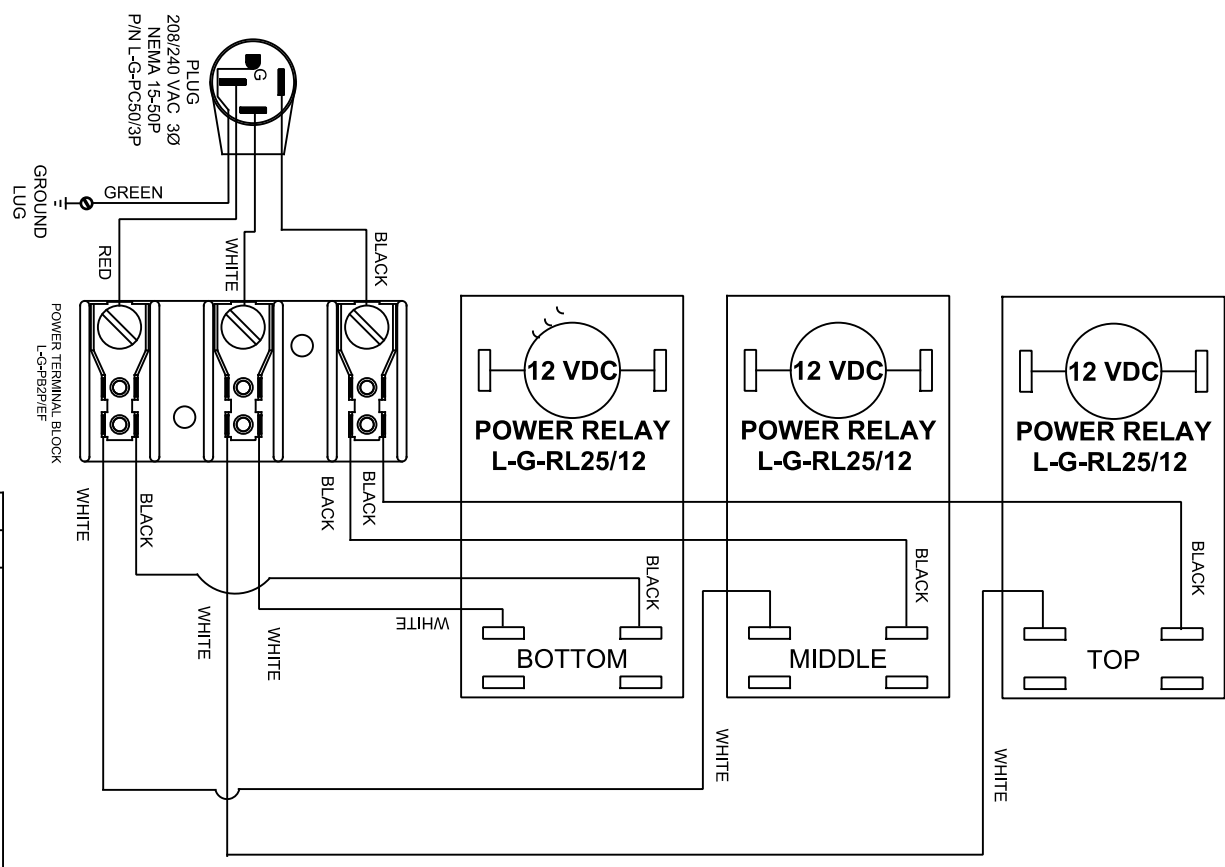


# SINGLE PHASE



# THREE PHASE



DRAWING NO. E326-C	SHEET OF 1/1	REV 0	TITLE SM23T-A KILN (GENESIS MINI) 3 PHASE CONVERSION	SCALE 1 = 8	DATE 03/25/23	DRAWN BY S.J.L	FILE NAME	MADE FROM E326-100
SIGS SMARTPOINT, INC. SWANSEBORO, NJ 08885 PHONE: (856) 294-0077 FAX: (856) 294-0070			REVISION DESCRIPTION # DATE					