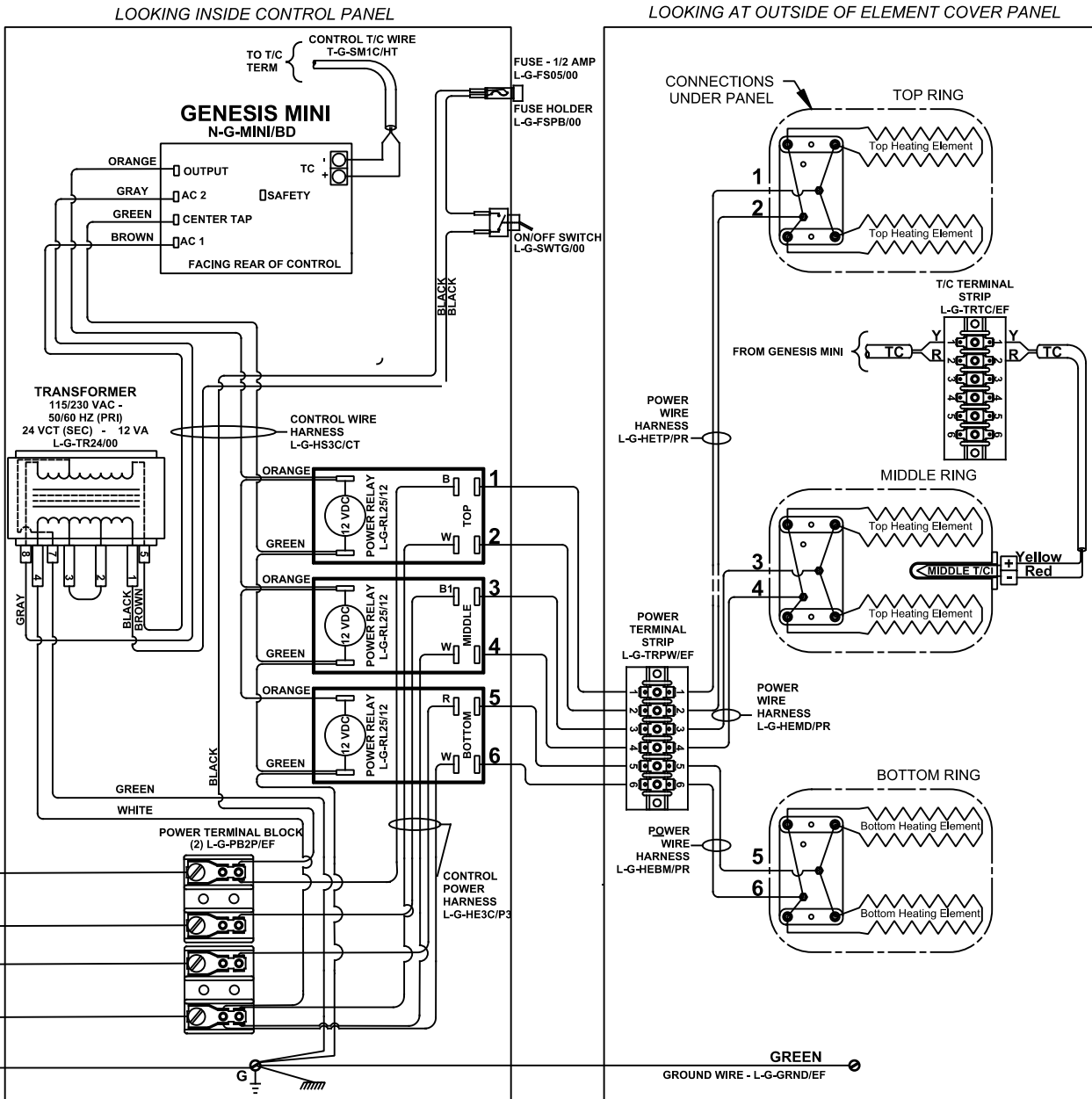


NOTES:

Control Wire:
16 AWG, 105°C
Power Wire:
10 AWG, 150°C

Industrial & commercial applications may require the installation of a **LOCKOUT/TAGOUT** device to prevent the Kiln from operating during maintenance.

This Kiln is recommended to be wired & connected to an approved U. L. & NEC configured receptacle controlled with a disconnect switch and properly fused according to the KW load specification listed on the Kiln Nameplate. L&L Kiln Mfg., Inc., also recommends fuses rather than circuit breakers to prevent nuisance tripping.



SAFETY SWITCH BY CUSTOMER
Connect to
380/400/415 Volt
4 Wire Three Phase Wye
50 Or 60 Cycles.

Model SM23T-380-3PY	
VOLTAGE	380 / 3-Y / 50-60
WATTS	9662
FULL LOAD AMPS	L1 L2 L3 14.5 14.5 15.0
POWER SUPPLY	FUSE WIRE 20A 10 AWG
ELEMENTS	QTY OHMS
E-S-23TT/31	4 29.25
E-S-23TB/31	2 28.3

Model SM23T-400-3PY	
VOLTAGE	400 / 3-Y / 50-60
WATTS	10,560
FULL LOAD AMPS	L1 L2 L3 15.1 15.6 15.6
POWER SUPPLY	FUSE WIRE 20A 10 AWG
ELEMENTS	QTY OHMS
E-S-23TT/31	4 29.25
E-S-23TB/31	2 28.3

Model SM23T-415-3PY	
VOLTAGE	415 / 3-Y / 50-60
WATTS	11,498
FULL LOAD AMPS	L1 L2 L3 15.8 15.8 16.3
POWER SUPPLY	FUSE WIRE 25A 10 AWG
ELEMENTS	QTY OHMS
E-S-23TT/32	4 29.25
E-S-23TB/32	2 28.3