

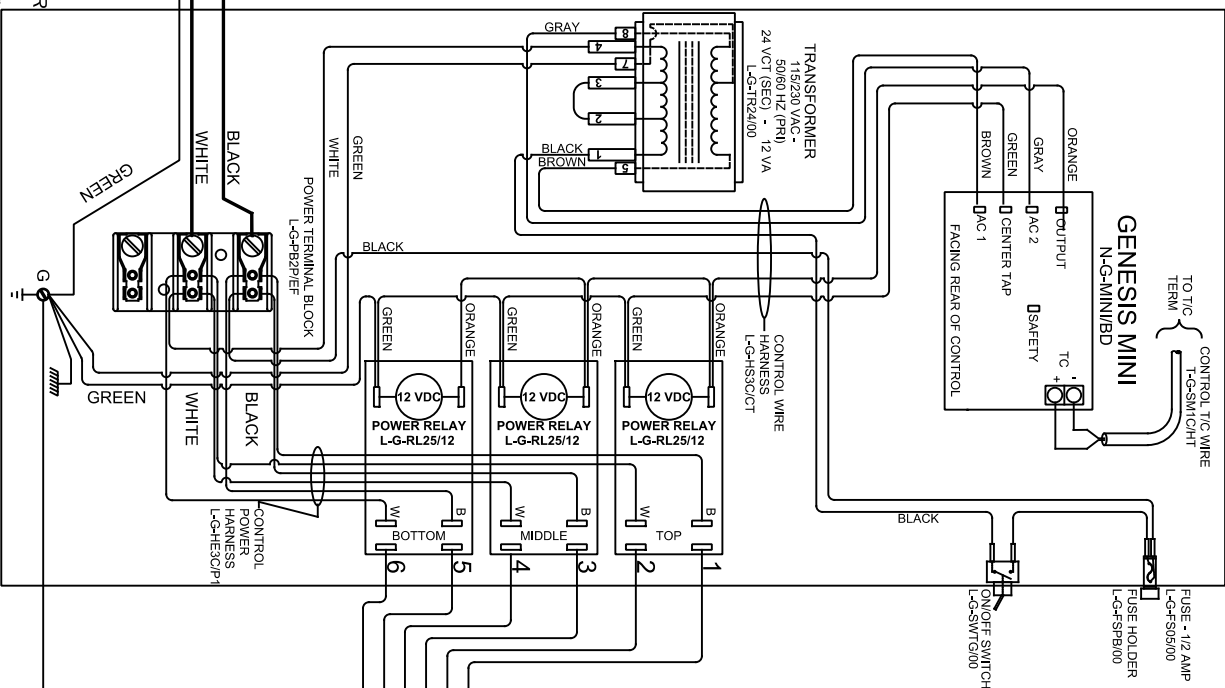
NOTES:

Control Wire:
16 AWG, 105°C
Power Wire:
10 AWG, 150°C

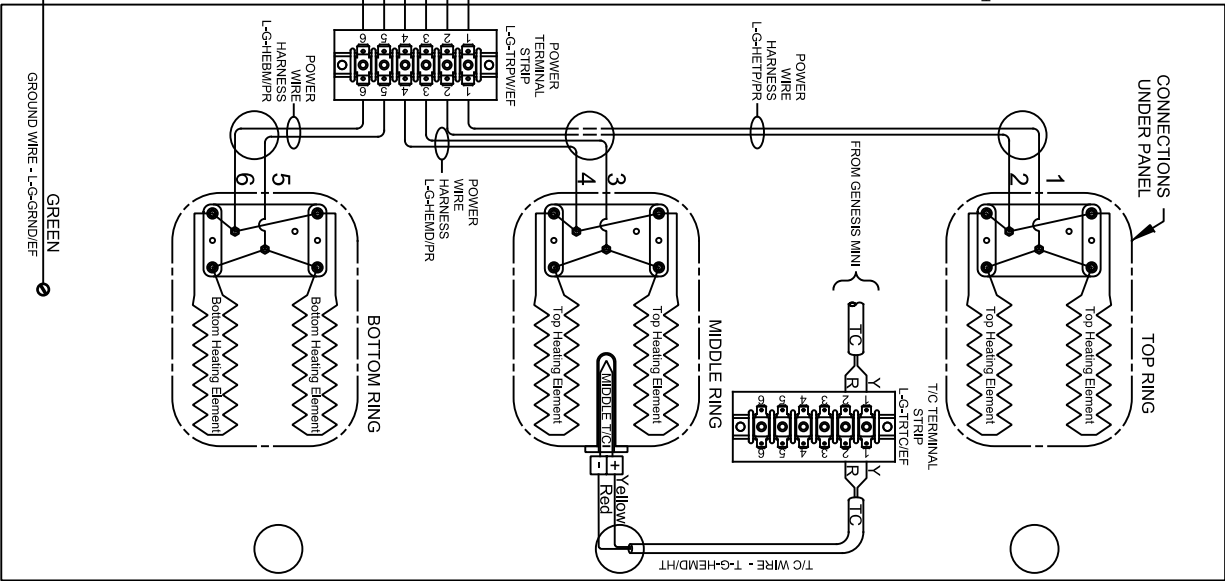
Industrial & commercial applications may require the installation of a LOCKOUT/TAGOUT device to prevent the Kiln from operating during maintenance.

This Kiln is recommended to be wired & connected to an approved U. L. & NEC configured receptacle controlled with a disconnect switch and properly fused according to the KW load load specification listed on the Kiln Nameplate. L&L Kiln Mfg., Inc., also recommends fuses rather than circuit breakers to prevent nuisance tripping.

LOOKING INSIDE CONTROL PANEL



LOOKING AT OUTSIDE OF ELEMENT COVER PANEL



Model SM23T-A

VOLTAGE	208 / 1 / 50-60
WATTS	8990
FULL LOAD AMPS	L1 L2 L3 43.2 43.2 X
POWER SUPPLY	FUSE WIRE 60A 6 AWG
ELEMENTS	QTY OHMS 4 29.3 (E-S-23TT/31) 2 28.3 (E-S-23TB/31)

Model SM23T-A

VOLTAGE	220 / 1 / 50-60
WATTS	10,060
FULL LOAD AMPS	L1 L2 L3 45.7 45.7 X
POWER SUPPLY	FUSE WIRE 60A 6 AWG
ELEMENTS	QTY OHMS 4 29.3 (E-S-23TT/31) 2 28.3 (E-S-23TB/31)

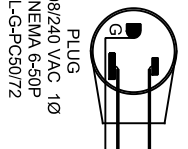
Model SM23T-A

VOLTAGE	240 / 1 / 50-60
WATTS	11,520
FULL LOAD AMPS	L1 L2 L3 48.0 48.0 X
POWER SUPPLY	FUSE WIRE 60A 6 AWG
ELEMENTS	QTY OHMS 4 29.3 (E-S-23TT/31) 2 28.3 (E-S-23TB/31)

The kiln is made for multiple voltages. The elements are the same for all voltage configurations. To change voltage from single phase to three phase see drawing E326-C which shows different plugs and power wire attachment points.



SAFETY SWITCH BY CUSTOMER
Connect to
240 Volt, 2 Wire, Single Phase - or
220 Volt, 2 Wire, Single Phase - or
208 Volt, 2 Wire, Single Phase
50 or 60 Cycles.



DRAWING NO.	SHEET OF	REV	DATE	SCALE	DATE	DRAWN BY	FILE NAME
E326-100A	1/1	0	03/25/23	1 = 8		SJL	
808 SMARTTOWN RD SWANBORO, NJ 08885 PHONE: (856) 294-0077 FAX: (856) 294-0070			TITLE		SM23T-A KILN (GENESIS MINI) 208-220-240V 1 PHASE		
REVISION DESCRIPTION							
REV #	DATE						
1							
2							
3							
4							
5							
6							
MADE FROM							E326-100