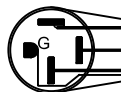


**NOTES:**

Control Wire:  
16 AWG, 105°C  
Power Wire:  
10 AWG, 150°C

Industrial & commercial applications may require the installation of a LOCKOUT/TAGOUT device to prevent the Kiln from operating during maintenance.

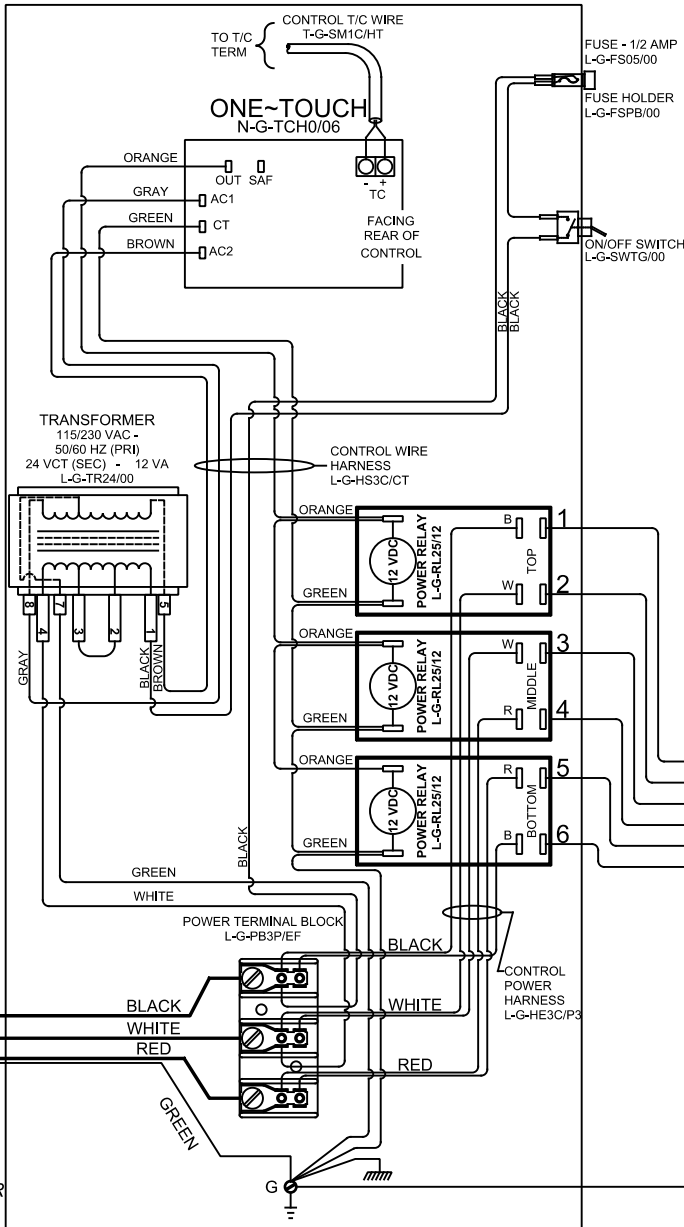
This Kiln is recommended to be wired & connected to an approved U. L. & NEC configured receptacle controlled with a disconnect switch and properly fused according to the KW load load specification listed on the Kiln Nameplate. L&L Kiln Mfg., Inc., also recommends fuses rather than circuit breakers to prevent nuisance tripping.



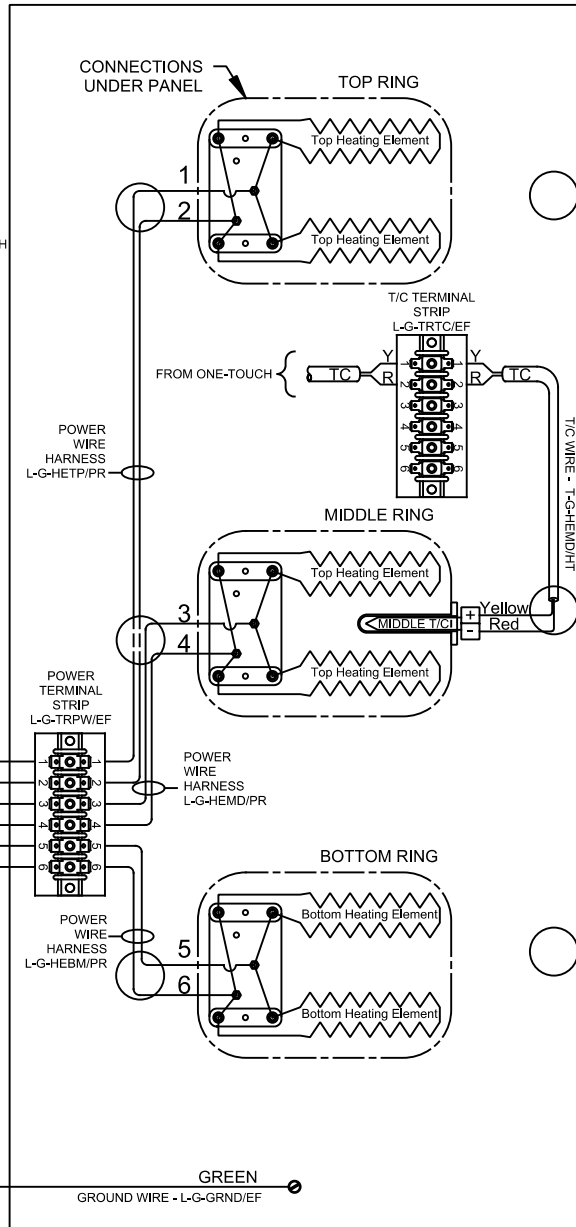
PLUG  
208/240 VAC 3Ø  
NEMA 15-50P  
P/N L-G-PC50/3P

**SAFETY SWITCH BY CUSTOMER**  
Connect to  
240 Volt, 2 Wire, Single Phase - or  
220 Volt, 2 Wire, Single Phase - or  
208 Volt, 2 Wire, Single Phase  
50 or 60 Cycles.

**LOOKING INSIDE CONTROL PANEL**



**LOOKING AT OUTSIDE OF ELEMENT COVER PANEL**



Model				
SM28T-3-208-3P				
VOLTAGE	208 / 3 / 50-60			
WATTS	14,340			
FULL LOAD AMPS	L1	L2	L3	
	39.8	39.8	39.8	
POWER SUPPLY	FUSE	WIRE		
	50A	6 AWG		
ELEMENTS	QTY	OHMS		
	(E-S-28TT/22)	4	17.6	
	(E-S-28TB/22)	2	17.0	

Model				
SM28T-3-220-3P				
VOLTAGE	220 / 3 / 50-60			
WATTS	15,060			
FULL LOAD AMPS	L1	L2	L3	
	39.5	39.5	39.5	
POWER SUPPLY	FUSE	WIRE		
	50A	6 AWG		
ELEMENTS	QTY	OHMS		
	(E-S-28TT/42)	4	18.8	
	(E-S-28TB/42)	2	18.2	

Model				
SM28T-3-240-3P				
VOLTAGE	240 / 3 / 50-60			
WATTS	16,620			
FULL LOAD AMPS	L1	L2	L3	
	40.0	40.0	40.0	
POWER SUPPLY	FUSE	WIRE		
	50A	6 AWG		
ELEMENTS	QTY	OHMS		
	(E-S-28TT/32)	4	20.2	
	(E-S-28TB/32)	2	19.6	

REV. #	DATE	REVISION DESCRIPTION