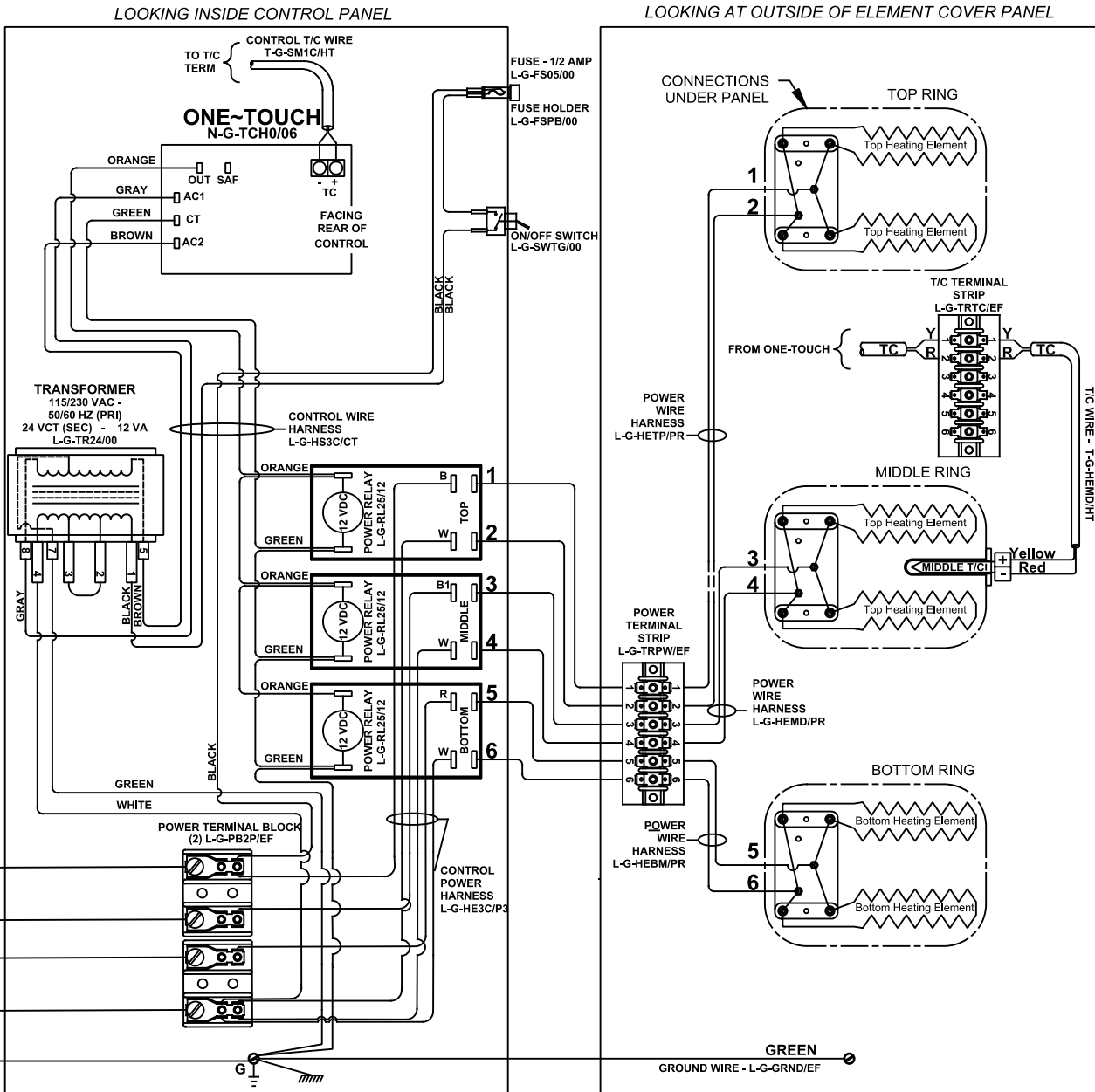


**NOTES:**

**Control Wire:**  
16 AWG, 105°C  
**Power Wire:**  
10 AWG, 150°C

Industrial & commercial applications may require the installation of a **LOCKOUT/TAGOUT** device to prevent the Kiln from operating during maintenance.

This Kiln is recommended to be wired & connected to an approved U. L. & NEC configured receptacle controlled with a disconnect switch and properly fused according to the KW load specification listed on the Kiln Nameplate. L&L Kiln Mfg., Inc., also recommends fuses rather than circuit breakers to prevent nuisance tripping.



Model SM23T-380-3PY	
VOLTAGE	380 / 3-Y / 50-60
WATTS	11,400
FULL LOAD AMPS	L1   L2   L3 17.1   17.1   17.7
POWER SUPPLY	FUSE   WIRE 25A   10 AWG
ELEMENTS	QTY   OHMS 4   24.78 2   24.0

Model SM23T-400-3PY	
VOLTAGE	400 / 3-Y / 50-60
WATTS	12,948
FULL LOAD AMPS	L1   L2   L3 18.6   18.6   19.2
POWER SUPPLY	FUSE   WIRE 25A   10 AWG
ELEMENTS	QTY   OHMS 4   24.79 2   24.0

Model SM23T-415-3PY	
VOLTAGE	415 / 3-Y / 50-60
WATTS	11,498
FULL LOAD AMPS	L1   L2   L3 15.8   15.8   16.3
POWER SUPPLY	FUSE   WIRE 25A   10 AWG
ELEMENTS	QTY   OHMS (E-S-23TT/32) 4   29.25 (E-S-23TB/32) 2   28.3

**SAFETY SWITCH BY CUSTOMER**  
Connect to  
380/400/415 Volt  
4 Wire Three Phase Wye  
50 Or 60 Cycles.

REV.#	DATE	REVISION DESCRIPTION