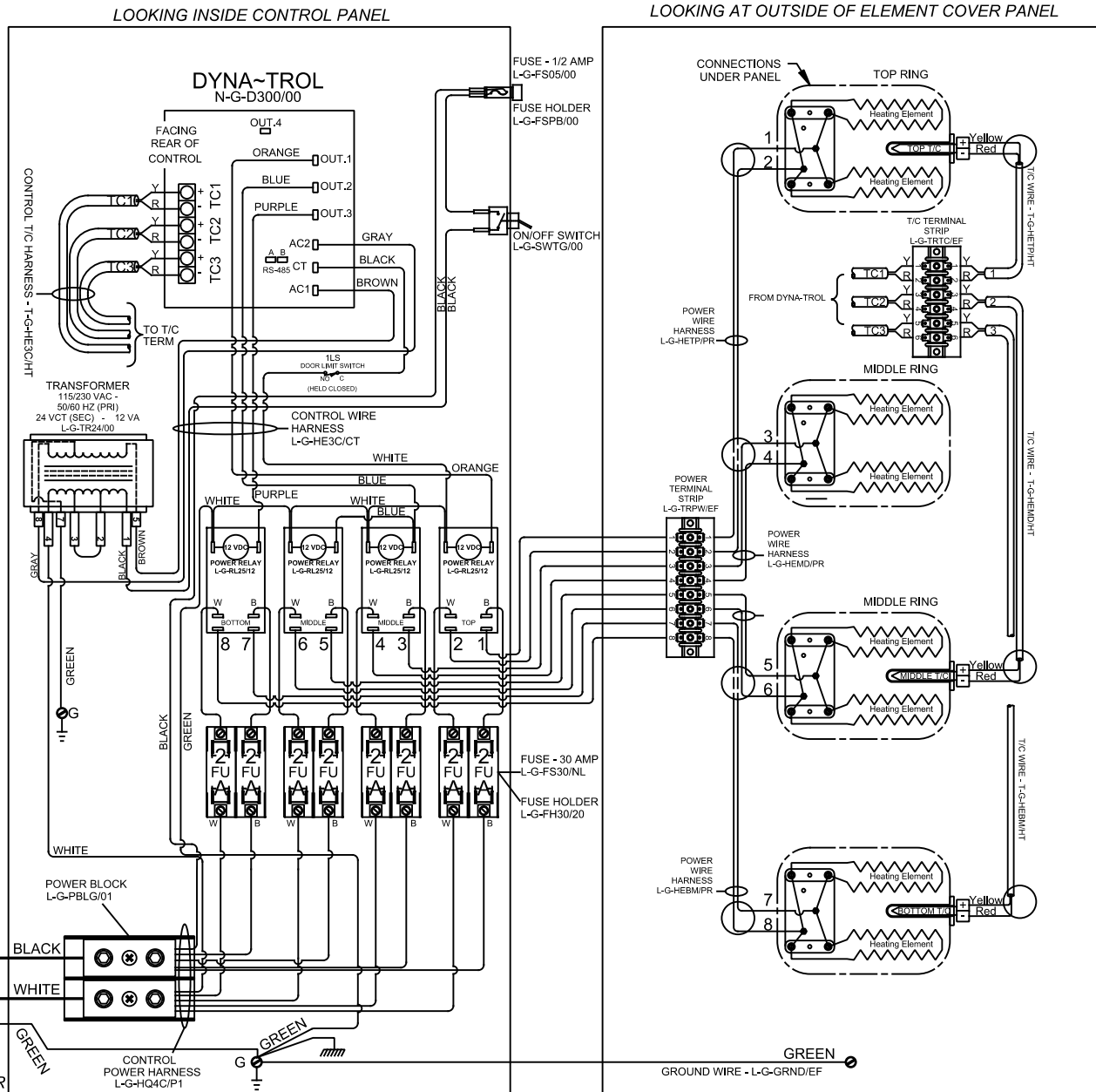


NOTES:

Control Wire:
16 AWG, 105°C
Power Wire:
10 AWG, 150°C

Industrial & commercial applications may require the installation of a LOCKOUT/TAGOUT device to prevent the Kiln from operating during maintenance.

This Kiln is recommended to be wired & connected to an approved U. L. & NEC configured receptacle controlled with a disconnect switch and properly fused according to the KW load specification listed on the Kiln Nameplate. L&L Kiln Mfg., Inc., also recommends fuses rather than circuit breakers to prevent nuisance tripping.



Model eFL2635 - 208	
VOLTAGE	208 / 1 / 50-60
WATTS	19,200
FULL LOAD AMPS	L1 L2 L3 92.3 92.3 X
POWER SUPPLY	FUSE WIRE 125A 1/0 AWG
ELEMENTS	QTY OHMS 8 17.4

Model eFL2635 - 220	
VOLTAGE	220 / 1 / 50-60
WATTS	19,200
FULL LOAD AMPS	L1 L2 L3 87.3 87.3 X
POWER SUPPLY	FUSE WIRE 110A 1 AWG
ELEMENTS	QTY OHMS 8 19.4

Model eFL2635 - 240	
VOLTAGE	240 / 1 / 50-60
WATTS	19,200
FULL LOAD AMPS	L1 L2 L3 80.0 80.0 X
POWER SUPPLY	FUSE WIRE 100A 1 AWG
ELEMENTS	QTY OHMS 8 23.1

SAFETY SWITCH BY CUSTOMER
Connect to
240 Volt, 2 Wire, Single Phase - or
220 Volt, 2 Wire, Single Phase - or
208 Volt, 2 Wire, Single Phase
50 or 60 Cycles.

REV. #	DATE	REVISION DESCRIPTION