

**NOTES:**

Control Wire:  
16 AWG, 105°C  
Power Wire:  
10 AWG, 150°C

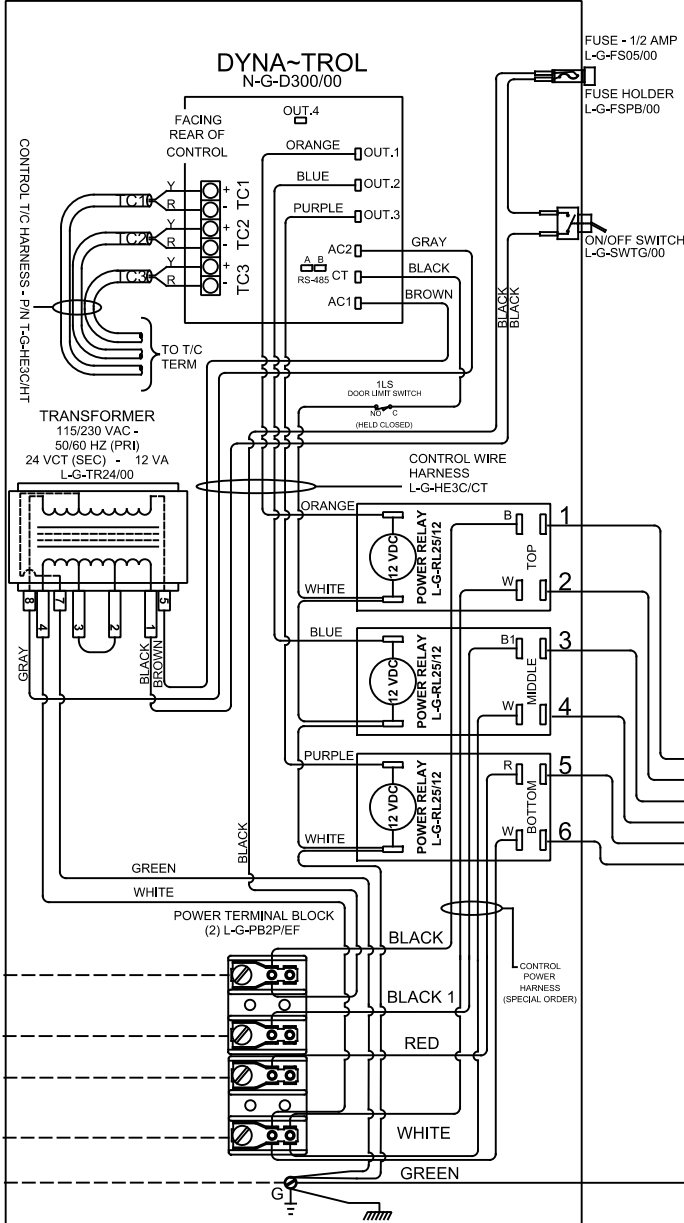
Industrial & commercial applications may require the installation of a LOCKOUT/TAGOUT device to prevent the Kiln from operating during maintenance.

This Kiln is recommended to be wired & connected to an approved U. L. & NEC configured receptacle controlled with a disconnect switch and properly fused according to the KW load load specification listed on the Kiln Nameplate. L&L Kiln Mfg., Inc., also recommends fuses rather than circuit breakers to prevent nuisance tripping.

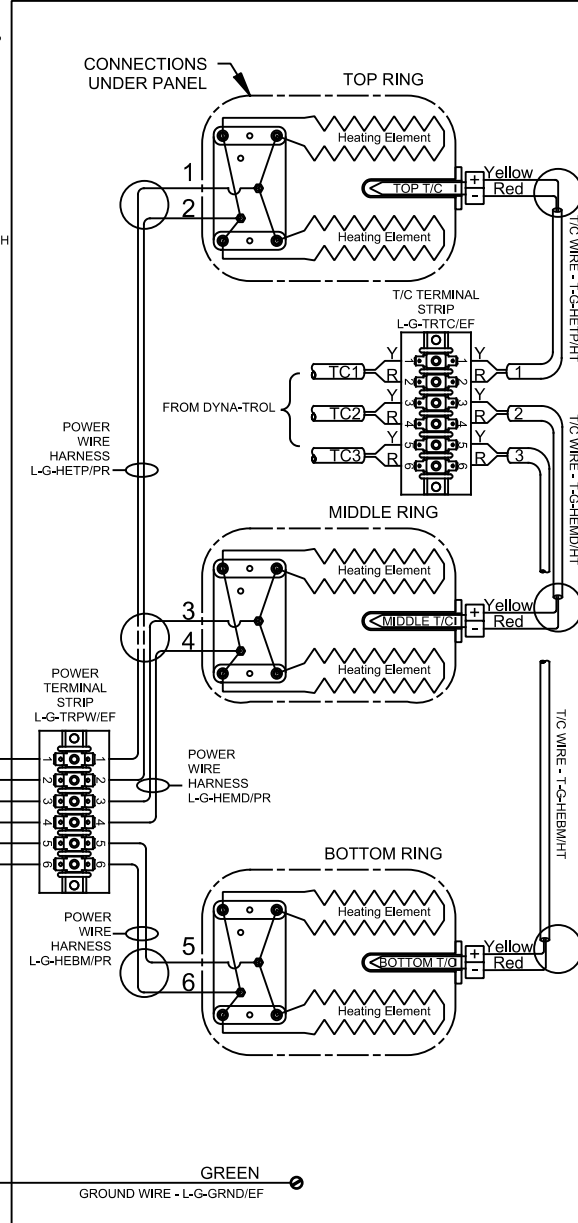


L1  
L2  
L3  
N  
G

**LOOKING INSIDE CONTROL PANEL**



**LOOKING AT OUTSIDE OF ELEMENT COVER PANEL**



Model eFL2026 - 380 - 3PY	
VOLTAGE	380 / 3PY / 50-60
WATTS	13,305
FULL LOAD AMPS	L1   L2   L3 20.2   20.2   20.2
POWER SUPPLY	FUSE   WIRE 30A   10 AWG
ELEMENTS	QTY   OHMS 6   21.0

Model eFL2026 - 400 - 3PY	
VOLTAGE	400 / 3PY / 50-60
WATTS	13,305
FULL LOAD AMPS	L1   L2   L3 19.3   19.3   19.3
POWER SUPPLY	FUSE   WIRE 25A   12 AWG
ELEMENTS	QTY   OHMS 6   21.0

Model eFL2026 - 415 - 3PY	
VOLTAGE	415 / 3PY / 50-60
WATTS	13,305
FULL LOAD AMPS	L1   L2   L3 18.5   18.5   18.5
POWER SUPPLY	FUSE   WIRE 25A   12 AWG
ELEMENTS	QTY   OHMS 6   25.0

**SAFETY SWITCH BY CUSTOMER**  
Connect to  
380 Volt, 4 Wire, Three Phase Wye  
50 or 60 Cycles.

REV. #	DATE	REVISION DESCRIPTION