

NOTES:

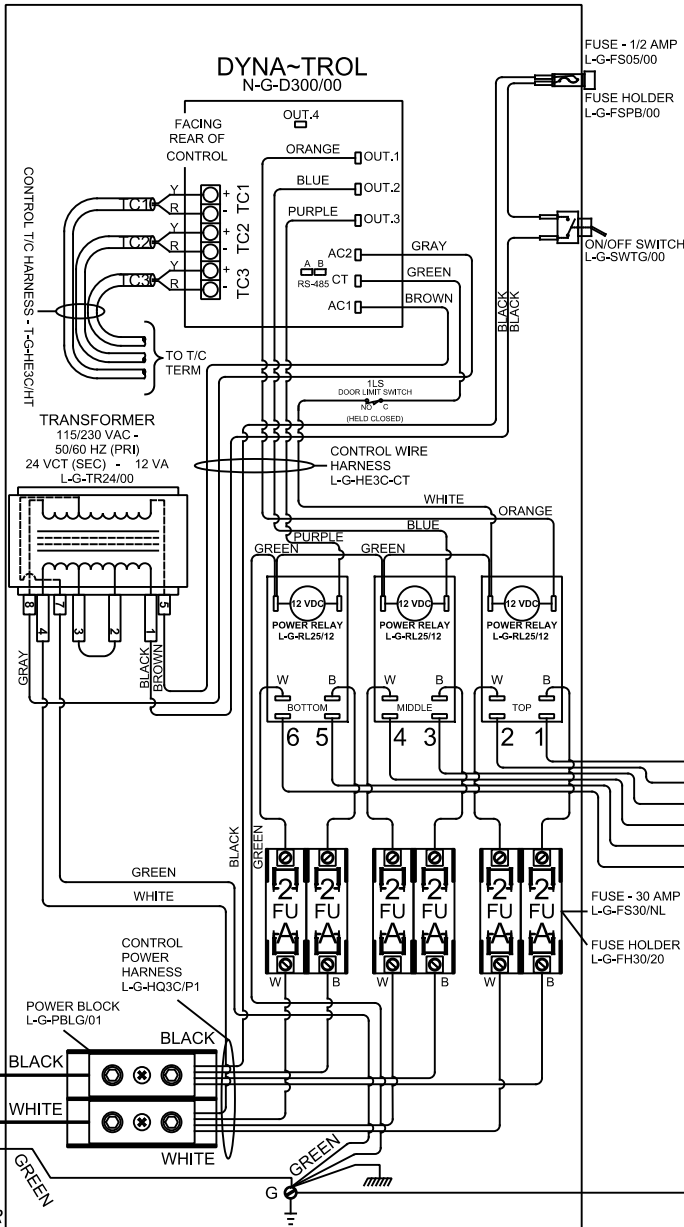
Control Wire:
16 AWG, 105°C
Power Wire:
10 AWG, 150°C

Industrial & commercial applications may require the installation of a LOCKOUT/TAGOUT device to prevent the Kiln from operating during maintenance.

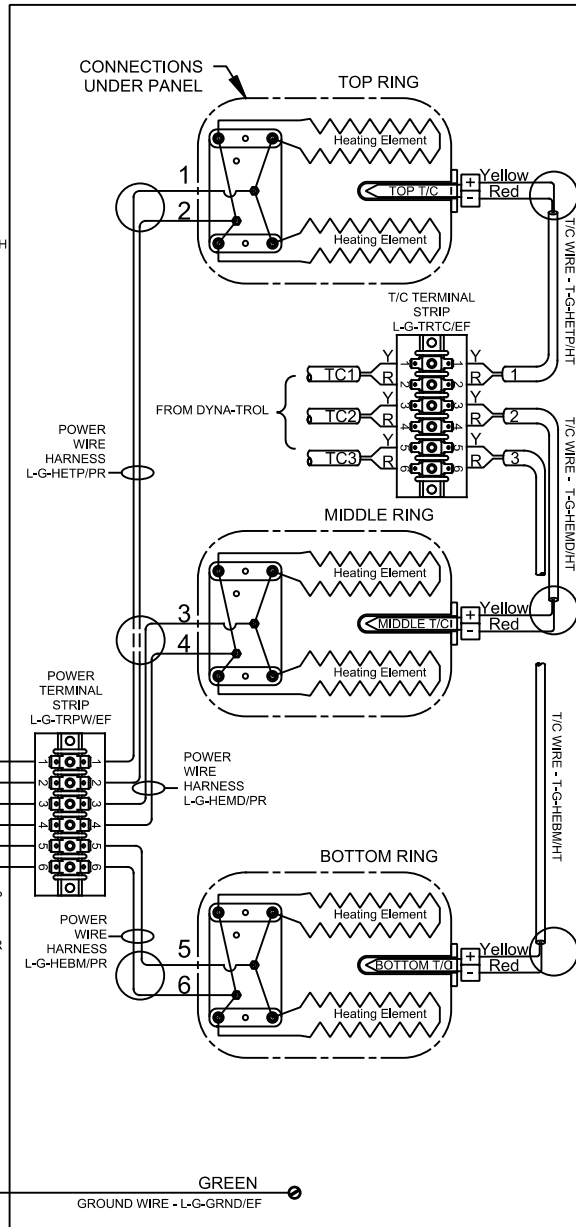
This Kiln is recommended to be wired & connected to an approved U. L. & NEC configured receptacle controlled with a disconnect switch and properly fused according to the KW load load specification listed on the Kiln Nameplate. L&L Kiln Mfg., Inc., also recommends fuses rather than circuit breakers to prevent nuisance tripping.



LOOKING INSIDE CONTROL PANEL



LOOKING AT OUTSIDE OF ELEMENT COVER PANEL



SAFETY SWITCH BY CUSTOMER
Connect to
240 Volt, 2 Wire, Single Phase - or
220 Volt, 2 Wire, Single Phase - or
208 Volt, 2 Wire, Single Phase
50 or 60 Cycles.

Model eFL2026 - 208			
VOLTAGE	208 / 1 / 50-60		
WATTS	13,305		
FULL LOAD AMPS	L1	L2	L3
	64.0	64.0	∞
POWER SUPPLY	FUSE	WIRE	
	80A	3 AWG	
ELEMENTS	QTY	OHMS	
	6	18.8	

Model eFL2026 - 220			
VOLTAGE	220 / 1 / 50-60		
WATTS	13,305		
FULL LOAD AMPS	L1	L2	L3
	60.5	60.5	∞
POWER SUPPLY	FUSE	WIRE	
	80A	3 AWG	
ELEMENTS	QTY	OHMS	
	6	21.0	

Model eFL2026 - 240			
VOLTAGE	240 / 1 / 50-60		
WATTS	13,305		
FULL LOAD AMPS	L1	L2	L3
	55.4	55.4	∞
POWER SUPPLY	FUSE	WIRE	
	70A	4 AWG	
ELEMENTS	QTY	OHMS	
	6	25.0	