

**NOTES:**

Control Wire:  
16 AWG, 105°C  
Power Wire:  
10 AWG, 150°C

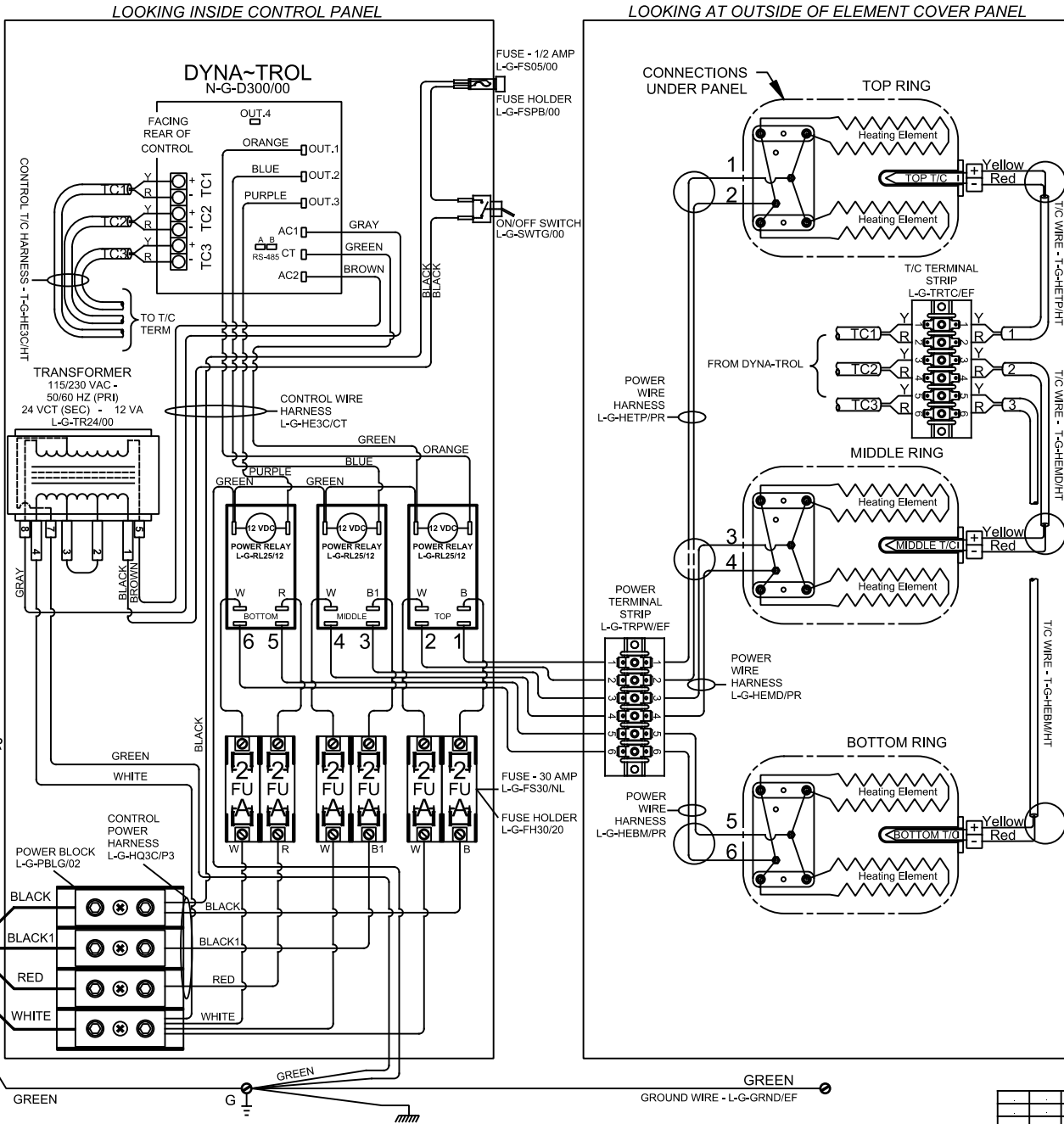
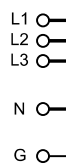
Industrial & commercial applications may require the installation of a LOCKOUT/TAGOUT device to prevent the Kiln from operating during maintenance.

This Kiln is recommended to be wired & connected to an approved U. L. & NEC configured receptacle controlled with a disconnect switch and properly fused according to the KW load load specification listed on the Kiln Nameplate. L&L Kiln Mfg., Inc., also recommends fuses rather than circuit breakers to prevent nuisance tripping.



**SAFETY SWITCH BY CUSTOMER**  
Connect to  
380 Volt, 4 Wire, Single Phase - or  
400 Volt, 4 Wire, Single Phase - or  
415 Volt, 4 Wire, Single Phase  
50 or 60 Cycles.

**DIRECT HOOK UP**



**Model eQ2827-380-3PY**

VOLTAGE	380 / 3-Y / 50-60		
WATTS	14,950		
FULL LOAD AMPS	L1	L2	L3
	22.7	22.7	22.7
POWER SUPPLY	FUSE	WIRE	
	30A	10 AWG	
ELEMENTS (E-Q-2827/40)	QTY	OHMS	
	6	18.7	

**Model eQ2827-400-3PY**

VOLTAGE	400 / 3-Y / 50-60		
WATTS	16,339		
FULL LOAD AMPS	L1	L2	L3
	23.7	23.7	23.7
POWER SUPPLY	FUSE	WIRE	
	30A	10 AWG	
ELEMENTS (E-Q-2827/30)	QTY	OHMS	
	6	22.3	

**Model eQ2827-415-3PY**

VOLTAGE	415 / 3-Y / 50-60		
WATTS	14,950		
FULL LOAD AMPS	L1	L2	L3
	20.8	20.8	20.8
POWER SUPPLY	FUSE	WIRE	
	30A	10 AWG	
ELEMENTS (E-Q-2827/30)	QTY	OHMS	
	6	22.3	