

NOTES:

Control Wire:
16 AWG, 105°C
Power Wire:
10 AWG, 150°C

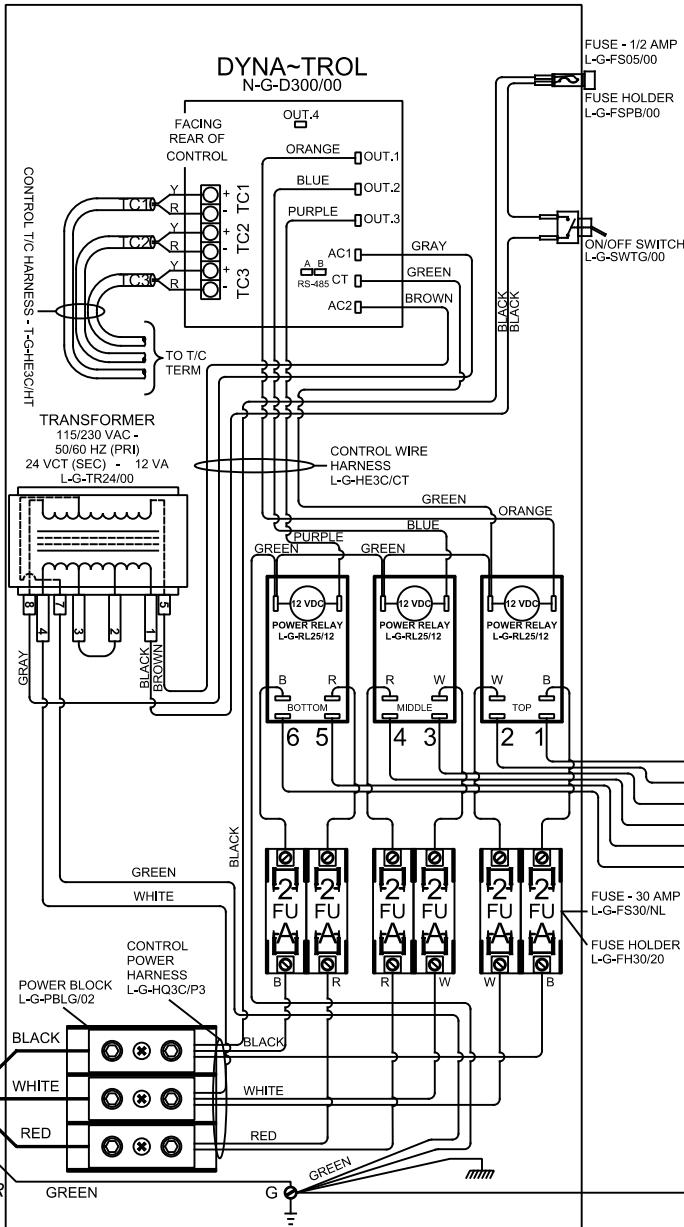
Industrial & commercial applications may require the installation of a LOCKOUT/TAGOUT device to prevent the Kiln from operating during maintenance.

This Kiln is recommended to be wired & connected to an approved U. L. & NEC configured receptacle controlled with a disconnect switch and properly fused according to the KW load load specification listed on the Kiln Nameplate. L&L Kiln Mfg., Inc., also recommends fuses rather than circuit breakers to prevent nuisance tripping.

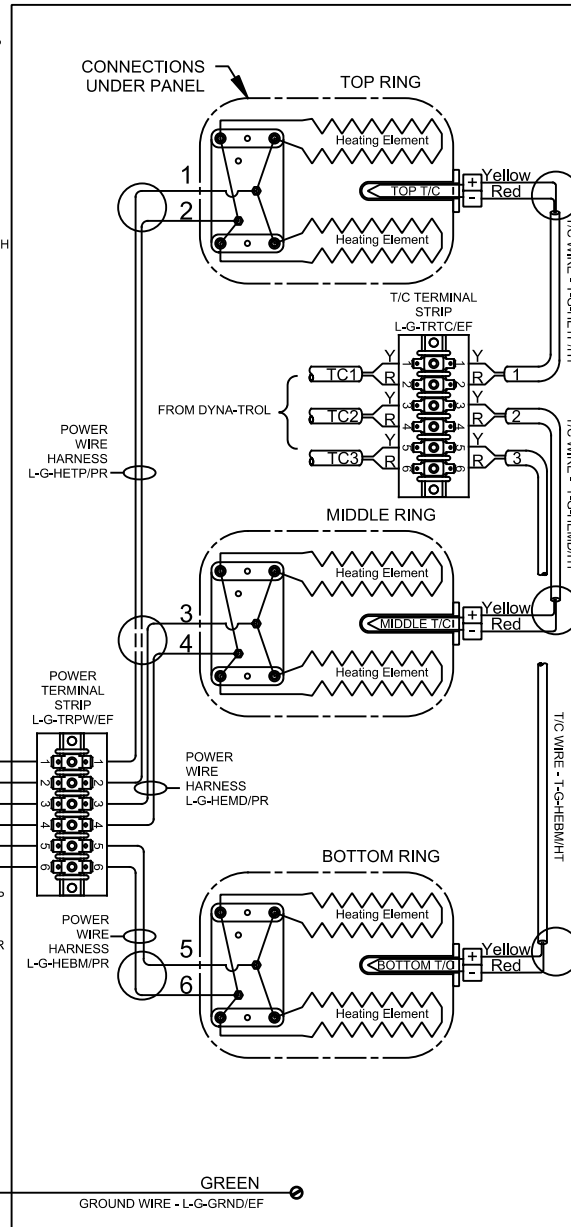


SAFETY SWITCH BY CUSTOMER
Connect to
240 Volt, 2 Wire, Single Phase - or
220 Volt, 2 Wire, Single Phase - or
208 Volt, 2 Wire, Single Phase
50 or 60 Cycles.

LOOKING INSIDE CONTROL PANEL



LOOKING AT OUTSIDE OF ELEMENT COVER PANEL



Model eQ2327-3-208-3P			
VOLTAGE	208 / 3 / 50-60		
WATTS	11,648		
FULL LOAD AMPS	L1	L2	L3
	32.4	32.4	32.4
	POWER SUPPLY		
FUSE		WIRE	
50A		6 AWG	
ELEMENTS (E-Q-2327/20)	QTY	OHMS	
	6	21.5	

Model eQ2327-3-220-3P			
VOLTAGE	220 / 3 / 50-60		
WATTS	12,320		
FULL LOAD AMPS	L1	L2	L3
	32.4	32.4	32.4
	POWER SUPPLY		
FUSE		WIRE	
50A		6 AWG	
ELEMENTS (E-Q-2327/40)	QTY	OHMS	
	6	22.7	

Model eQ2327-3-240-3P			
VOLTAGE	240 / 3 / 50-60		
WATTS	13,440		
FULL LOAD AMPS	L1	L2	L3
	32.4	32.4	32.4
	POWER SUPPLY		
FUSE		WIRE	
50A		6 AWG	
ELEMENTS (E-Q-2327/30)	QTY	OHMS	
	6	24.8	