

NOTES:

Control Wire:
16 AWG, 105°C
Power Wire:
10 AWG, 150°C

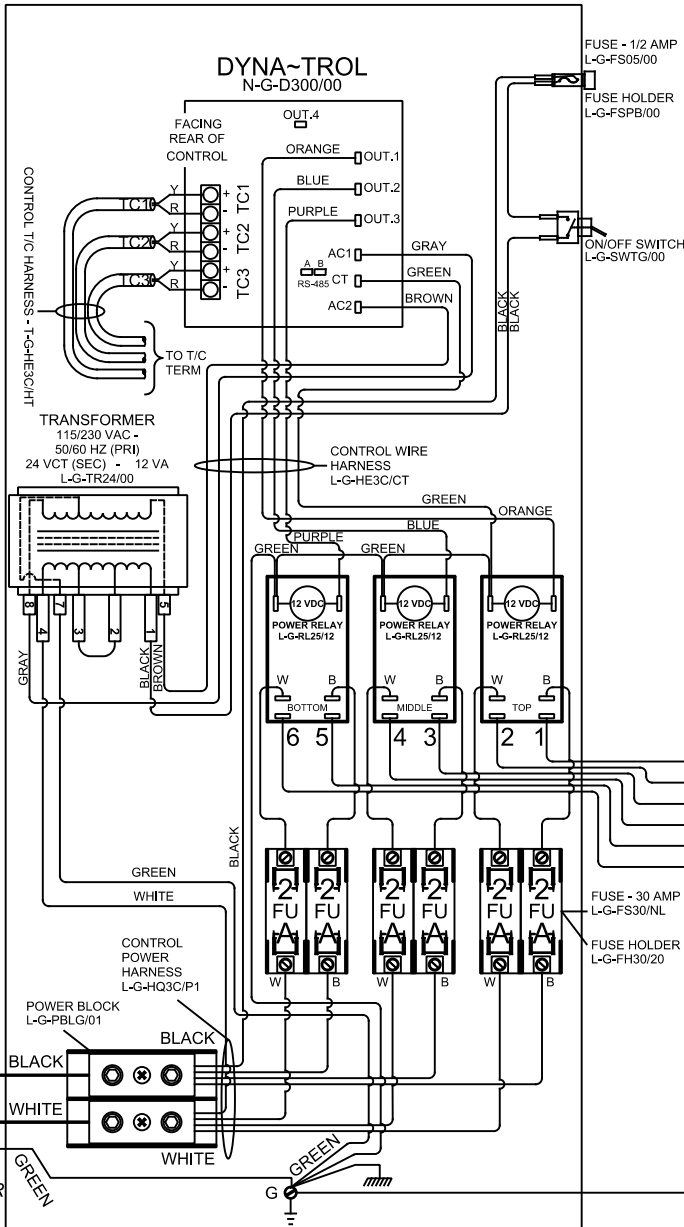
Industrial & commercial applications may require the installation of a LOCKOUT/TAGOUT device to prevent the Kiln from operating during maintenance.

This Kiln is recommended to be wired & connected to an approved U. L. & NEC configured receptacle controlled with a disconnect switch and properly fused according to the KW load load specification listed on the Kiln Nameplate. L&L Kiln Mfg., Inc., also recommends fuses rather than circuit breakers to prevent nuisance tripping.

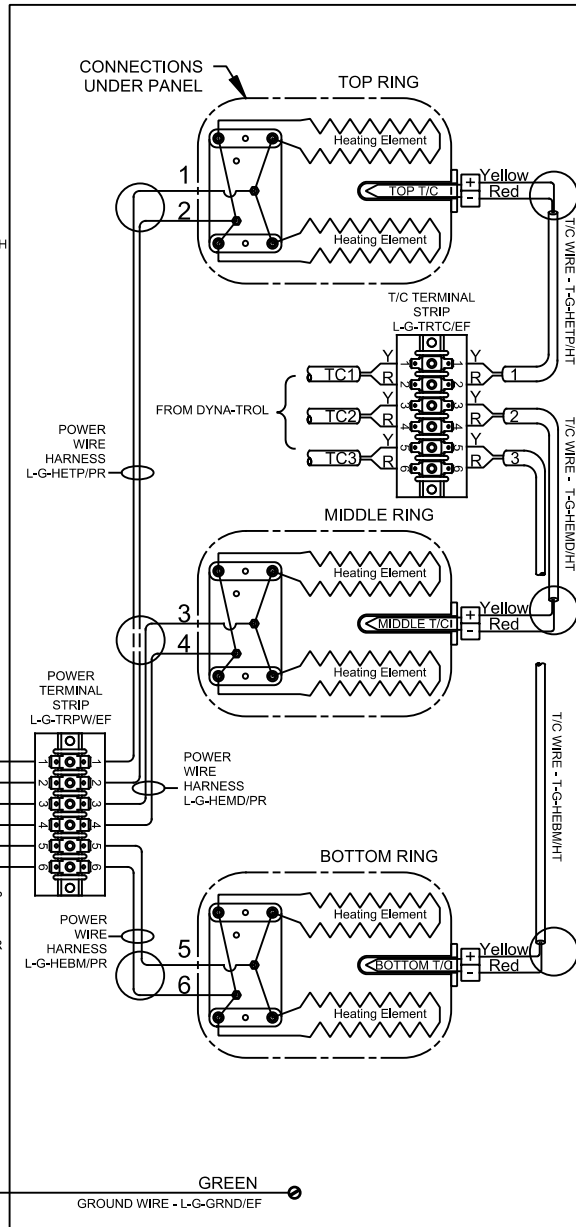


SAFETY SWITCH BY CUSTOMER
Connect to
240 Volt, 2 Wire, Single Phase - or
220 Volt, 2 Wire, Single Phase - or
208 Volt, 2 Wire, Single Phase
50 or 60 Cycles.

LOOKING INSIDE CONTROL PANEL



LOOKING AT OUTSIDE OF ELEMENT COVER PANEL



| Model eQ2327-3-208 | | | |
|------------------------|-----------------|-------|----|
| VOLTAGE | 208 / 1 / 50-60 | | |
| WATTS | 11,648 | | |
| FULL LOAD AMPS | L1 | L2 | L3 |
| | 56.0 | 56.0 | |
| POWER SUPPLY | FUSE | WIRE | |
| | 70A | 4 AWG | |
| ELEMENTS (E-Q-2327/20) | QTY | OHMS | |
| | 6 | 21.5 | |

| Model eQ2327-3-220 | | | |
|------------------------|-----------------|-------|----|
| VOLTAGE | 220 / 1 / 50-60 | | |
| WATTS | 12,320 | | |
| FULL LOAD AMPS | L1 | L2 | L3 |
| | 56.0 | 56.0 | |
| POWER SUPPLY | FUSE | WIRE | |
| | 70A | 4 AWG | |
| ELEMENTS (E-Q-2327/40) | QTY | OHMS | |
| | 6 | 22.7 | |

| Model eQ2327-3-240 | | | |
|------------------------|-----------------|-------|----|
| VOLTAGE | 240 / 1 / 50-60 | | |
| WATTS | 13,440 | | |
| FULL LOAD AMPS | L1 | L2 | L3 |
| | 56.0 | 56.0 | |
| POWER SUPPLY | FUSE | WIRE | |
| | 70A | 4 AWG | |
| ELEMENTS (E-Q-2327/30) | QTY | OHMS | |
| | 6 | 24.8 | |

| REV. # | DATE | REVISION DESCRIPTION |
|--------|------|----------------------|
| | | |
| | | |