

eFL KILNS – ORDER CHECKLIST

1. Kiln deliveries are by Common Carrier, are very fragile, and require special treatment by the customer which is often outside the normal range of experience. ***We find that preparing ahead and understanding the challenges will help to make the process go smoothly.***
2. Please fill out this checklist and forward to who sold you the kiln.
3. L&L will review and will call you directly to confirm the details and discuss any shipping or delivery issues.
4. Once the kiln delivery situation is clarified and approved by L&L then the order will be confirmed to the reseller, and they can confirm to you. In some cases, deposits may be required.
5. The kiln will then be scheduled for production and the current expected lead time will be sent to the reseller.
6. When the kiln is finished, we will send an email to the seller for approval to ship. Keep this checklist handy for when you receive the kiln.

COMPANY / INSTITUTION (IF ANY): _____

CUSTOMER NAME: _____

TITLE (IF ANY): _____

ADDRESS: _____

Physical Street Address for Delivery (Include City/State/Zip Code): (No PO Boxes)

CONTACT PHONE NUMBER: _____

EMAIL _____

DISTRIBUTOR / SALESPERSON: _____

KILN MODEL NUMBER: -eFL1626 -eFL2026 -eFL2626 -eFL2635

ACCESSORIES: -Furniture Kit -Vent System -Vent Control -Casters -Genesis Control -Type S TCs

Other Options or special modifications: _____

ELECTRICAL

VOLTAGE: - 240 Volts 1/Phase - 240 Volts 3/Ph - 208 Volts 1/Ph - 208 Volts 3/Ph

International Only: - 220 Volts 1/Phase - 380 Volts 3/Phase (Wye)

1. See our electrical specifications to make sure your fuse and amperage available are sufficient. Also – **we HIGHLY recommend putting a meter to your power** unless you are absolutely certain of what you have. Many mistakes have been made by looking at some appliance nearby and assuming that the rating on that is what you have.

eFL KILNS – ORDER CHECKLIST, RECEIVING & ASSEMBLY INSTRUCTIONS

2. **IMPORTANT NOTE:** Local fire and safety codes supersede information that is provided here
3. **Distance to Disconnect Box:** This should be under 15 feet according to the National Electrical Code
4. **Make sure your electrician appropriately sizes the wires from your circuit breaker and disconnect box,** according to the amperage of the kiln.

PLACEMENT & LOCATION

1. **GENERAL DIMENSION DRAWINGS:** You can find the General Dimension Drawing of all kilns on the webpage of each kiln model. These have the ventilation requirements and clearance requirements.
2. L&L strongly recommends an 18" clearance to all walls. The Uniform Mechanical Code 2000 Edition states that "the sides and tops of kilns shall be located a minimum of eighteen (18) inches (457 mm) from any noncombustible wall surface and three (3) feet (914 mm) from any combustible wall surface."
3. The National Fire Protection Agency states that temperatures at combustible ceilings and floors be kept below 160 Deg F (71 Deg C) near industrial furnaces (which are like kilns).
4. Note that, when L&L tested kilns for UL, temperatures were measured 12" from the walls of the kiln and found to be safe from a flammability standpoint. However, locating a kiln just 12" from a wall may violate the Uniform Mechanical Code and possibly local fire codes, so do this at your own risk.
5. Check with local building codes for recommended non-combustible wall materials for walls that are adjacent to the kiln. Cement board, cinder blocks, and masonry tile are possible choices.
6. Make certain floor is not flammable. The Uniform Mechanical Code 2000 Edition states that "kilns shall be installed on noncombustible flooring consisting of at least two (2) inches (51 mm) of solid masonry or concrete extending at least twelve (12) inches (305 mm) beyond the base or supporting members of the kiln."
7. Recommended floor surfaces are cement, ceramic tile, stone, slate, cinder blocks or brick. Do not install on a wood floor or on carpet. Vinyl flooring may be combustible. Protect linoleum flooring from discoloration with a noncombustible covering.
8. **BE VERY CAREFUL ABOUT IMPLEMENTING THESE SUGGESTIONS.** Remember that the kiln is putting out heat over a long period of time and that this could very well start a fire under certain conditions. Also, if an overfiring occurs, materials like glass and glazes can be super-heated and electrically conductive, and they can melt right through the kiln floor. If there is a combustible floor, this could cause a fire. Also keep in mind the continued heat of the kiln can dry out combustible surfaces over time and reduce their flash point.
9. The NFPA 86 (Section 2-1.5 concerning Floors and Clearances) that might be construed as applicable to kilns requires that temperatures at combustible ceilings and floors be kept below 160°F (71°C). In general, the NFPA recommends installing furnaces on noncombustible surfaces and has specific requirements if this is not possible.
10. Make sure you have 24" in front of the panel and 18" in the back to be able to perform maintenance functions on the kiln.

VENTILATION

All kilns should be vented. There are several advantages of having a Vent-Sure. You get the corrosive fumes out of the kiln using negative pressure. This means that the kiln will last longer. Uniformity is also improved. It is possible to have both a ventilation hood and the Vent-Sure. If you have both it is also possible to vent the output of the Vent-Sure into the vent hood.

- A 120-volt standard wall outlet is required for the Vent-Sure. The Vent-Sure has a 6-foot cord but this can be hard wired or used with an extension cord if necessary.
- Installation will be easier if the kiln is near an exterior wall, because the vent must be exhausted outside.
- A 4" diameter penetration in the wall is required for the vent outlet.
- To ensure the kiln room does not overheat, see the General Dimension Drawing for BTU specifications. These are available on each model's webpage. See hotkilns.com/calculate-kiln-room-ventilation for more information.
- See the Vent-Sure instructions for more information.

eFL KILNS – ORDER CHECKLIST, RECEIVING & ASSEMBLY INSTRUCTIONS

SPRINKLERS AND FIRE EXTINGUISHERS

- If you have sprinklers near the kiln, check their rating. Too low a rating can cause a major and expensive problem by setting off the sprinklers. Generally speaking, these are only found in institutions and industry.
- It is recommended to have a fire extinguisher (rated ABC) near the kiln.

FOR MORE INFORMATION

You should familiarize yourself with L&L's complete INSTALLATION & PREORDER INFORMATION FOR L&L KILNS (hotkilns.com/installation-checklist) for more information and guidance.

DELIVERY QUESTIONS

NOTES ON DELIVERY: Please note, the fact that a business is purchasing this kiln does not mean the building where you are receiving the kiln is a commercial address. *Any business operated from a home, apartment, or other dwelling where people live on the premises is a residential address for the purpose of shipping.* Exact classification can vary by carrier. Carriers will re-classify delivery addresses as they deem necessary. Schools or Institutions may incur a limited access fee. Kiln Orders are only deliverable by freight carriers. For difficult delivery situations L&L may require you to pick up the kiln at a shipping terminal.

Common Carrier shippers will drop your kiln off curbside or on a loading dock. **THEY WILL NOT MOVE THE KILN FOR YOU.** You must be prepared to move the heavy pallet(s) with a pallet jack to a protected location when the kiln is delivered. All eFL kilns are shipped with a "call before" notification. Shippers generally require a 4-hour window for delivery.

Is your address... -Commercial -Residential -School

Is there a Loading Dock? -Yes -No Height of Loading Dock: _____ FEET

Can an 18-wheel 48-to-53-foot truck back up to the unloading area or deliver in front of your driveway? *

-Yes -No * A 28-foot pup/short truck with a tailgate may not be available in all locations.

Do you have access to a high-lift pallet jack? -Yes -No Do you have access to a forklift? -Yes -No

Do you have the means to move the kiln from the road where the kiln will be dropped off to where the kiln will be installed without damage? -Yes -No

Please note kilns are extremely fragile and proceed with caution. Take photos before moving. Any other information you want us to know about delivery challenges:

FRAGILE FIREBRICK

The basic material used in kilns of this nature is an insulating firebrick that can, under normal circumstances, crack and spall once it is fired. The design of the kiln is such that this will not affect the proper functioning of the kiln. Cracking is not a warranty issue, which is clearly stated in the Standard L&L Limited Warranty (see www.hotkilns.com/warranty for the full text of our limited warranty). In addition, although the utmost care is used in cementing the firebricks together, it is entirely possible that cracks may appear over time or immediately between cemented firebricks.

The person signing this represents that they have the authority to make decisions with regard to accepting the kiln being purchased. And that they understand the conditions under which the kiln is being delivered.

Customer Signature: _____

Date: _____

PLEASE RETURN THIS CHECKLIST TO YOUR RESELLER, OR TO

SALES@HOTKILNS.COM IF BUYING DIRECT.

eFL KILNS – RECEIVING & ASSEMBLY INSTRUCTIONS

SHIPPING DAMAGE AND INSPECTING YOUR KILN

FREIGHT COMPANIES ALLOW 2 DAYS TO REPORT SHIPPING DAMAGE. WE CANNOT HELP YOU WITH A DAMAGE CLAIM AFTER 2 DAYS.

If box is dented, crushed, un-banded or off the skid, note it on Delivery Receipt. Check number of cartons against Delivery Receipt. Inspect contents while driver is present. If this is not possible, **take photos** and mark Delivery Receipt “**SUBJECT TO INSPECTION.**” If obvious severe damage is visible, **take photos** and refuse shipment.

IF YOU FIND DAMAGE: Take as many photographs of everything as soon as you can and email them to service@hotkilns.com. The time stamp on these photograph/emails is critical when filing a damage claim! If you can, write a description of the breakage or damage or shortage on all copies of the freight bill **before you sign it**. Make your notations as specific as possible to protect if concealed damage is subsequently discovered. (In some cases, the shipper may not allow you to do that). See hotkilns.com/shipping for full policy.

INSTALLING AND ASSEMBLING THE KILN – *what to expect*

The following gives an overview of what to expect when receiving your eFL. We also have detailed assembly videos here: hotkilns.com/efl-videos

1. **PACKING:** The eFL kiln ships on Styrofoam on a custom pallet in a double-walled carton.
2. There is foam-in-place protecting all sides.
3. **OVERVIEW:** The legs, leg cross-supports, floor-mount brackets, door, control panel, and casters/caster-brackets (if ordered) are installed by you, the customer. This allows us to optimize the eFL for shipping long distances and minimize the freight cost.
4. **DOOR:** We recommend you mount the door before installing the legs, since the kiln will be lower to the ground. Mount brackets come pre-installed to help align the door with the hinge precisely. These brackets should be removed after mounting the door.
5. The doors are aligned in our factory before being removed and packed, so you shouldn't have to align your door after installing.
6. **LIFTING THE PALLET:** The custom pallet is designed to allow you to lift the kiln up with a Pallet Truck High Lift. This is the device shown below that is commonly rentable from equipment rental companies. There are also slots in the base metal of the kiln for lifting with a forklift if available.
7. **LEGS AND CASTERS:** Once lifted with the Pallet Truck High Lift, the legs and leg cross-supports bolt on. If you ordered casters, you would install them on the caster-mount-brackets before bolting to the legs at the upper set of mount holes. If not, simply mount the caster-mount-brackets at the bottom set of mount holes. *(Note: The caster option can be ordered and installed retroactively with a normal pallet jack, if desired. Model eFL2635 does not have a caster option).*
8. **REMOVING PALLET:** The Pallet Truck High Lift is slowly lowered. The custom pallet is disassembled and removed using an electric screwdriver. The whole assembly should take under an hour. We recommend two or three people are present to ensure a safe and smooth process.
9. The customer can move the kiln with a standard pallet jack using the Leg Cross-Supports (entering from the side of the kiln) **after it is assembled.**

You will need to rent a Pallet Truck High Lift (or have a forklift)

Rentable at typical equipment rental places, depending on your location, such as Home Depot or Sunbelt, whom we have no affiliation with - see more here:

<https://www.sunbeltrentals.com/equipment/detail/1222/0440004/pallet-truck-high-lift/>



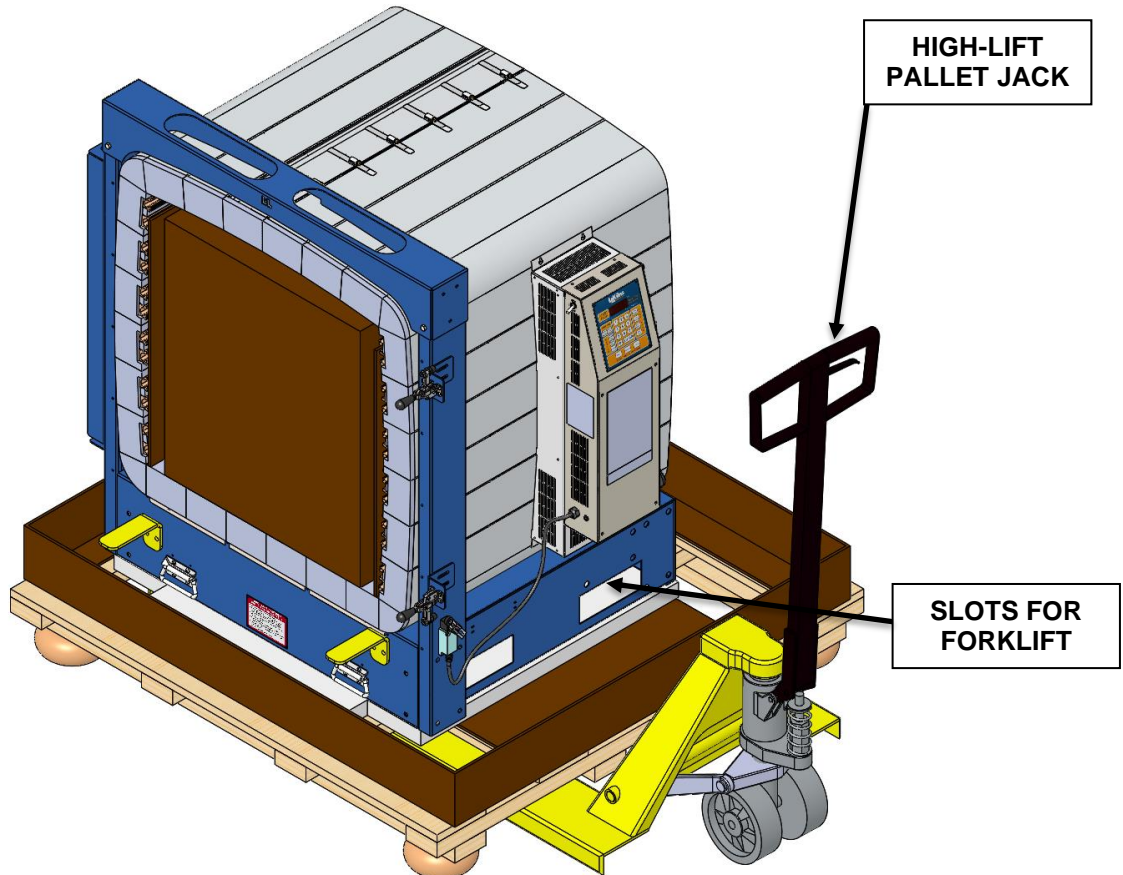
INSTALLING AND ASSEMBLING THE KILN – *step-by-step*

This is a packed kiln with the outer box removed:



Remove the packaging inside the kiln chamber – be careful not to knock out the elements.

Next, mount the door brackets (shown in yellow on the front of the kiln below, but are actually gray steel), then lift the door onto those brackets for mounting. See the installation video for more explanation.



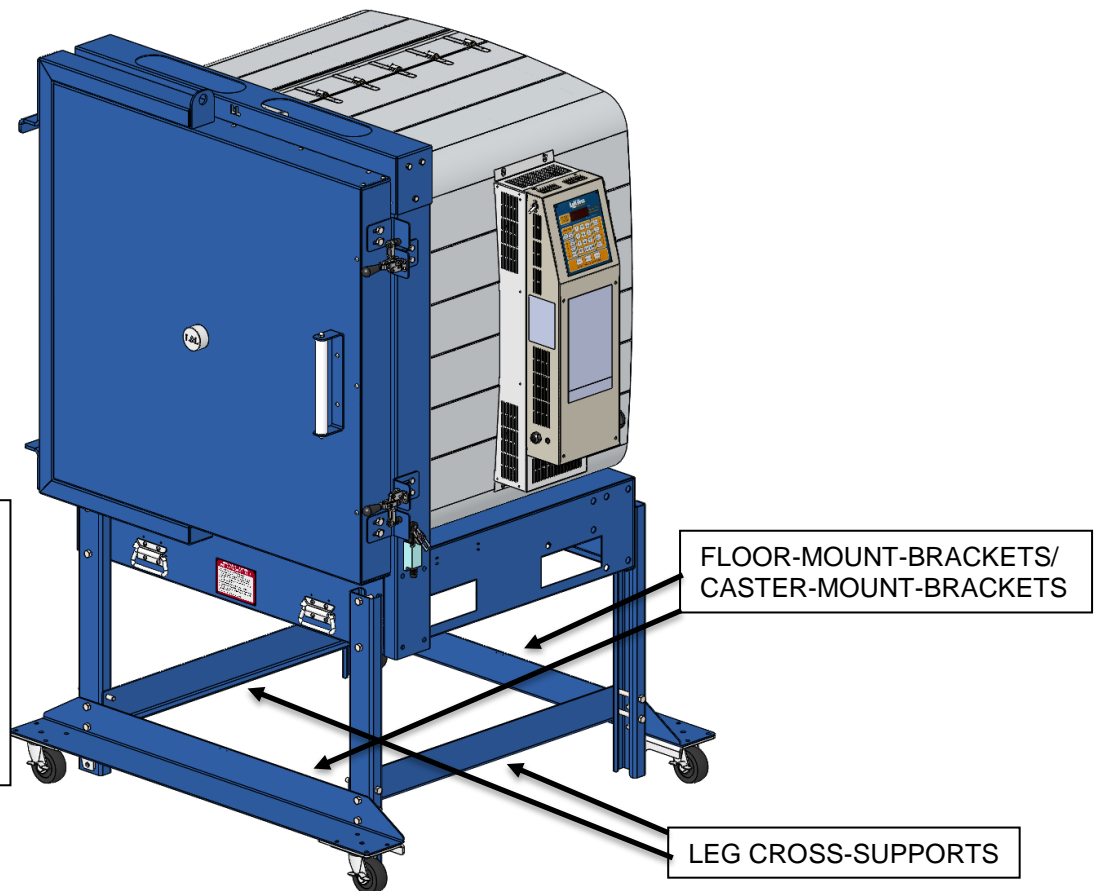
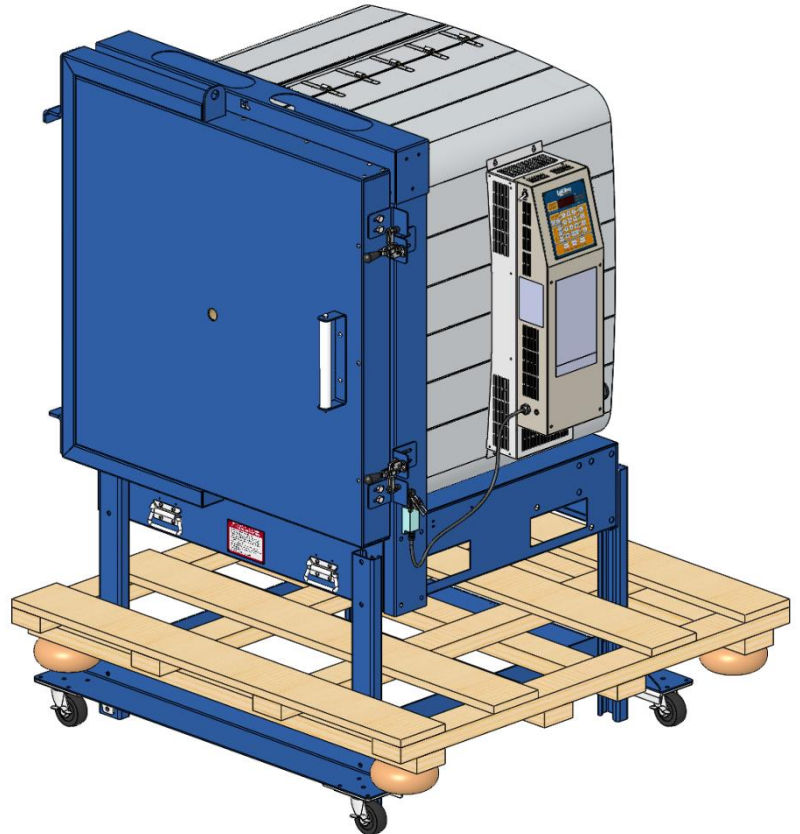
Once you lift the pallet with the high lift pallet jack or forklift, you will be able to drop the legs into the four cutouts in the cardboard and bolt to the kiln body using the provided bolts. Alternatively, there are slots in the sides of the frame you can use to lift if you have a forklift.

eFL KILNS – ORDER CHECKLIST, RECEIVING & ASSEMBLY INSTRUCTIONS

Everything has been installed, the kiln lowered to the floor, the pallet jack removed, and the pallet is ready to be disassembled. *Note the door mount brackets have been removed.*

Finally, the pallet is simply disassembled so that it can be removed from the legs. If casters are not purchased, the caster-mount brackets become floor-mount brackets and have holes for anchoring to the floor.

Casters may be ordered and installed after you already have your kiln set up by lifting from the side leg cross-supports with a standard pallet jack. The floor/caster-mount brackets slide up to a higher set of holes in the legs, and the stiffening brackets bolt underneath them to increase support. *Note: it is critical to attach stiffening brackets underneath casters.*



OPTIONAL CASTERS ARE SHOWN – THEY MUST BE ORDERED AS AN OPTION. THE OPTION INCLUDES STIFFENING BRACKETS, CASTERS, AND HARDWARE.

FLOOR-MOUNT-BRACKETS/ CASTER-MOUNT-BRACKETS

LEG CROSS-SUPPORTS

eFL KILNS – ORDER CHECKLIST, RECEIVING & ASSEMBLY INSTRUCTIONS

IF YOU HAVE TO MOVE YOUR KILN THROUGH NARROW DOORS

If you have doors that are smaller than the pallet (but at least 30" clear) the assembly process is going to be a bit more complicated. It still will only require a high-lift pallet-jack.

First, watch these videos to familiarize yourself with the process: hotkilns.com/efl-videos. Next, follow these steps, which partially differ from the process outlined in the video:

1. Get the kiln off the pallet (do not install the door first): lift the skid with the jack, install the legs and lower the jack until the legs touch the ground and are supporting the kiln. *Be careful to spot the kiln as it isn't going to be completely stable without the leg cross-supports and caster-mount-brackets.* Remove the jack, then disassemble and remove the skid.
2. Put the kiln on the pallet jack: Then, realign the high-lift pallet jack between the legs and raise the kiln off the floor just enough to remove the legs. Now, lower the jack and kiln as low as it will go. Keep the kiln on the pallet jack.
3. Move the kiln through your door: The kiln body will be less than 30" at this point from front to back. While stabilizing the kiln, roll it through your door(s) and into position.
4. Once you are in position or near to it you can attach the door, lift the kiln up, and attach the legs and crossbars/brackets. Once fully assembled, if you don't have the caster option, you can always move with a standard pallet jack by entering from the sides underneath the crossbars.

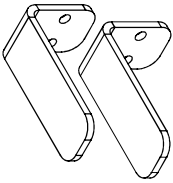
IF YOU WANT PROFESSIONAL HELP WITH RECEIVING, MOVING, AND INSTALLING YOUR KILN...

If you are not comfortable moving and installing the kiln yourself as described in these instructions - especially if you have difficult installation conditions or if you are not physically able - we highly recommend hiring a professional repair person or rigger to perform this installation.

Remember, because of the nature and weight of the product, there is some unavoidable risk, and you must always take proper safety precautions.

PLEASE RETURN THIS CHECKLIST TO YOUR RESELLER, OR TO
SALES@HOTKILNS.COM IF BUYING DIRECT.

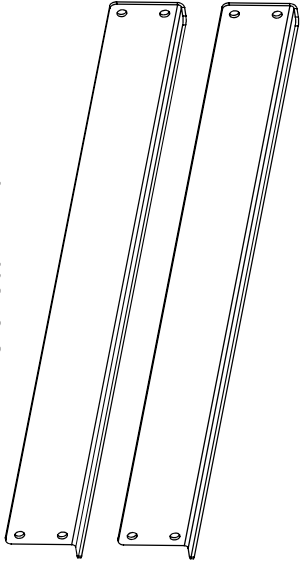
2 DOOR-MOUNT BRACKETS



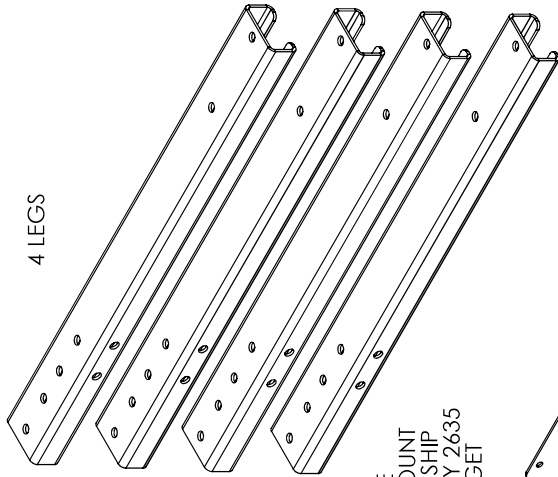
DOOR MOUNT BRACKET HARDWARE:

4 PCS: 3/8-16 X 1" ZINC HEX-BOLTS
(remove brackets after installing door)

2 LEG CROSS BEAMS



4 LEGS

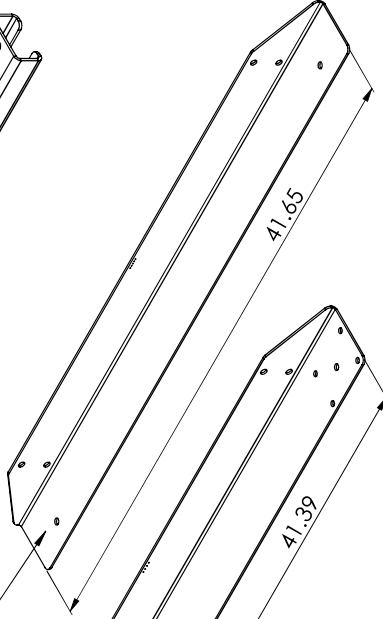
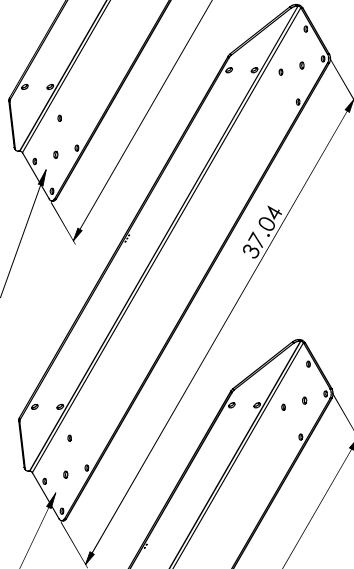
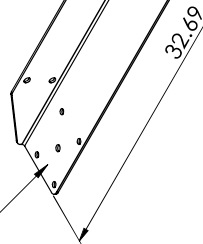


2 OF THESE
CASTER MOUNT
BRACKETS SHIP
WITH EVERY 1626

2 OF THESE
CASTER MOUNT
BRACKETS SHIP
WITH EVERY 2026

2 OF THESE
CASTER MOUNT
BRACKETS SHIP
WITH EVERY 2626

2 OF THESE
FLOOR MOUNT
BRACKETS SHIP
WITH EVERY 2635
(DOESN'T GET
CASTERS)

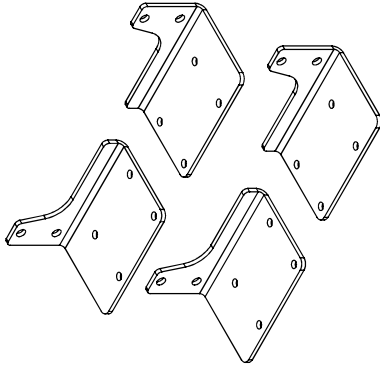


WHEN CASTERS ARE ORDERED, THESE PARTS ARE INCLUDED:

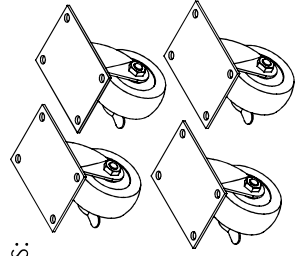
HARDWARE:

16 PCS: 5/16-18 X 1" ZINC BOLTS
16 PCS: 5/16" ZINC WASHERS
16 PCS: 5/16" ZINC LOCK-WASHERS
16 PCS: 5/16" ZINC NUTS

4 CASTER BRACKET STIFFENERS
(2 OF EACH ORIENTATION):



4 CASTERS:



LEG HARDWARE:

16 PCS: 3/8" ZINC NUTS (one per bolt, without a weld nut)
16 PCS: 3/8" ZINC WASHERS (one per bolt)
24 PCS: 3/8" ZINC LOCK-WASHERS (one per bolt)
8 PCS: 3/8-16 X 1" ZINC HEX-BOLTS (bolt caster/floor-mount brackets to legs)
8 PCS: 3/8-16 X 2" ZINC HEX-BOLTS (bolt legs to kiln frame)
8 PCS: 3/8-16 X 3.5" ZINC HEX-BOLTS (bolt cross beams to legs)