

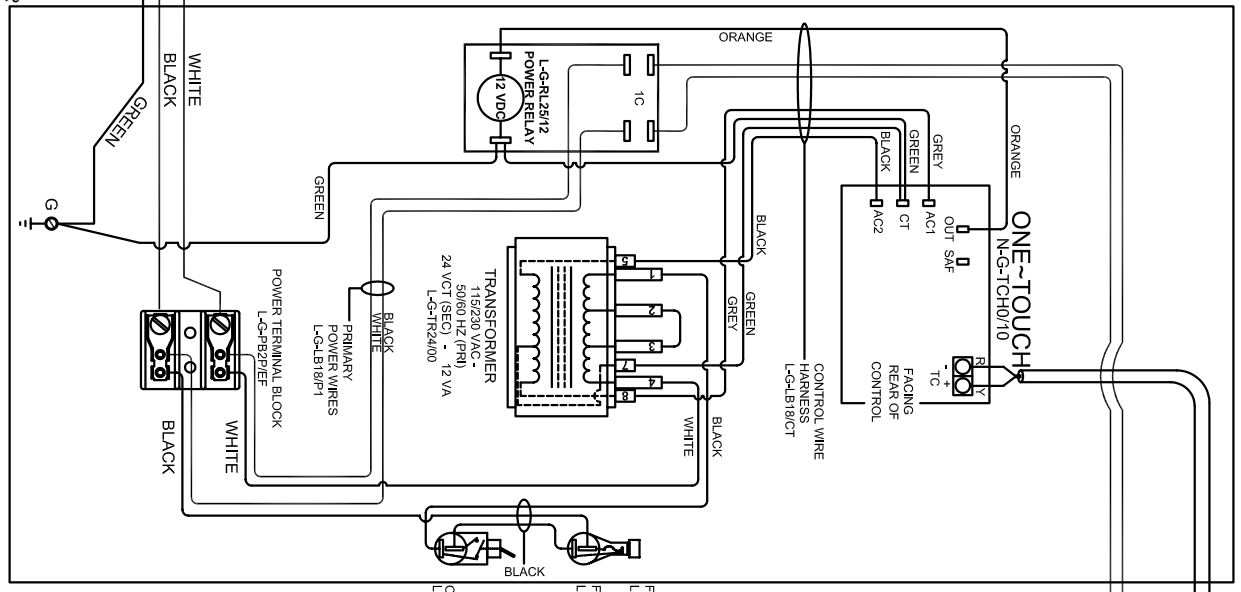
NOTES:

Control Wire:
16 AWG, 105°C
Power Wire:
10 AWG, 150°C

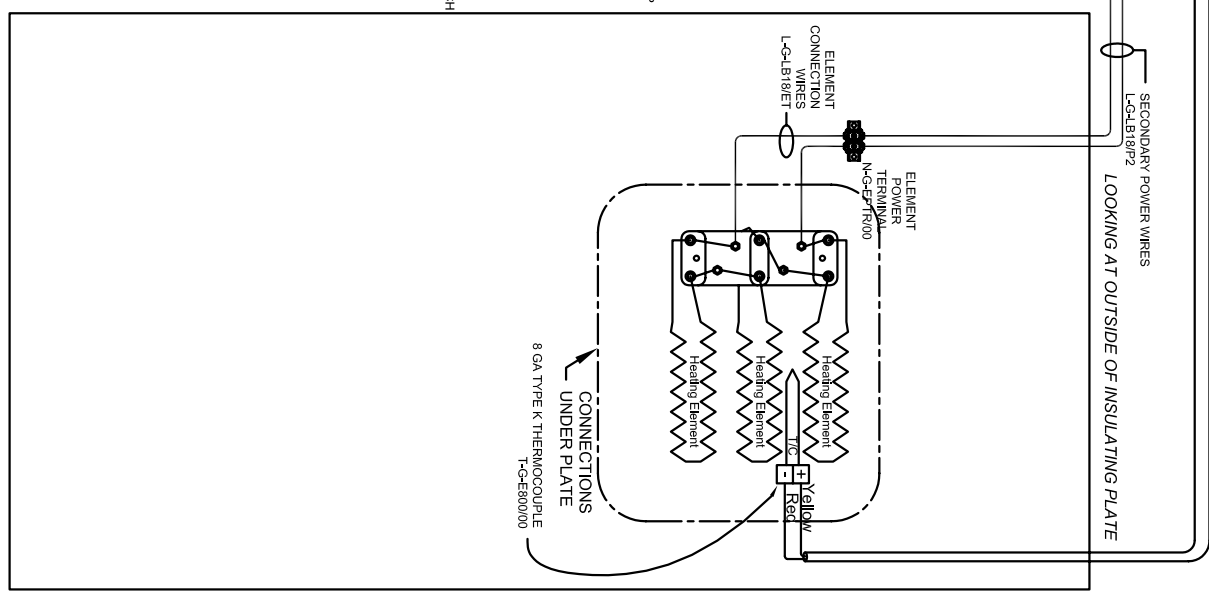
Industrial & commercial applications may require the installation of a LOCKOUT/TAGOUT device to prevent the Kiln from operating during maintenance.

This Kiln is recommended to be wired & connected to an approved U. L. & NEC configured receptacle controlled with a disconnect switch and properly fused according to the KW load load specification listed on the Kiln Nameplate. L&L Kiln Mfg., Inc. also recommends fuses rather than circuit breakers to prevent nuisance tripping.

LOOKING INSIDE CONTROL PANEL



LOOKING AT OUTSIDE OF INSULATING PLATE



**Model DLH11-DXB
208 Volts**

VOLTAGE	208 / 1 / 50-60		
WATTS	2800		
FULL LOAD AMPS	L1	L2	L3
	13.5	13.5	X
POWER SUPPLY	FUSE	WIRE	
	20A	12 AWG	
ELEMENTS	QTY	OHMS	
(E-D-DH11/20)	3	5.0	

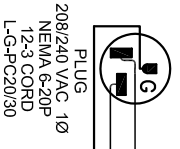
**Model DLH11-DXB
220 Volts**

VOLTAGE	220 / 1 / 50-60		
WATTS	2800		
FULL LOAD AMPS	L1	L2	L3
	12.7	12.7	X
POWER SUPPLY	FUSE	WIRE	
	20A	12AWG	
ELEMENTS	QTY	OHMS	
(E-D-DH11/40)	3	5.6	

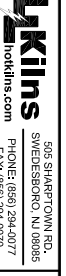
**Model DLH11-DXB
240 Volts**

VOLTAGE	240 / 1 / 50-60		
WATTS	2800		
FULL LOAD AMPS	L1	L2	L3
	11.7	11.7	X
POWER SUPPLY	FUSE	WIRE	
	20A	12 AWG	
ELEMENTS	QTY	OHMS	
(E-D-DH11/30)	3	6.6	

SAFETY SWITCH BY CUSTOMER
Connect to
200-240 Volt, 20 Amp Circuit
50 or 60 Cycles.



DRAWING NO. K073-154
SHEET OF 1/1
REV C



TITLE
MODEL DLH11-DXB DOLL KILN
1 PHASE WIRING DIAGRAM

SCALE
1 = 8

DATE
10/4/05

DRAWN BY
G.D.L.

FILE NAME
L:\ELL\KILNDOLL
K073-154.DWG

REV #	DATE	REVISION DESCRIPTION
C	10/04/05	REVISED DRAWING TO REFLECT NEW ONE-TOUCH CONTROL
B	10/04/05	UPDATED LOGO & ADDRESS INFORMATION
A	10/04/05	SET INTO INDIVIDUAL VOLTAGES AND ADDED POWER CORD
0	10/04/05	FIRST ISSUE

MADE FROM
K073-153.DWG