

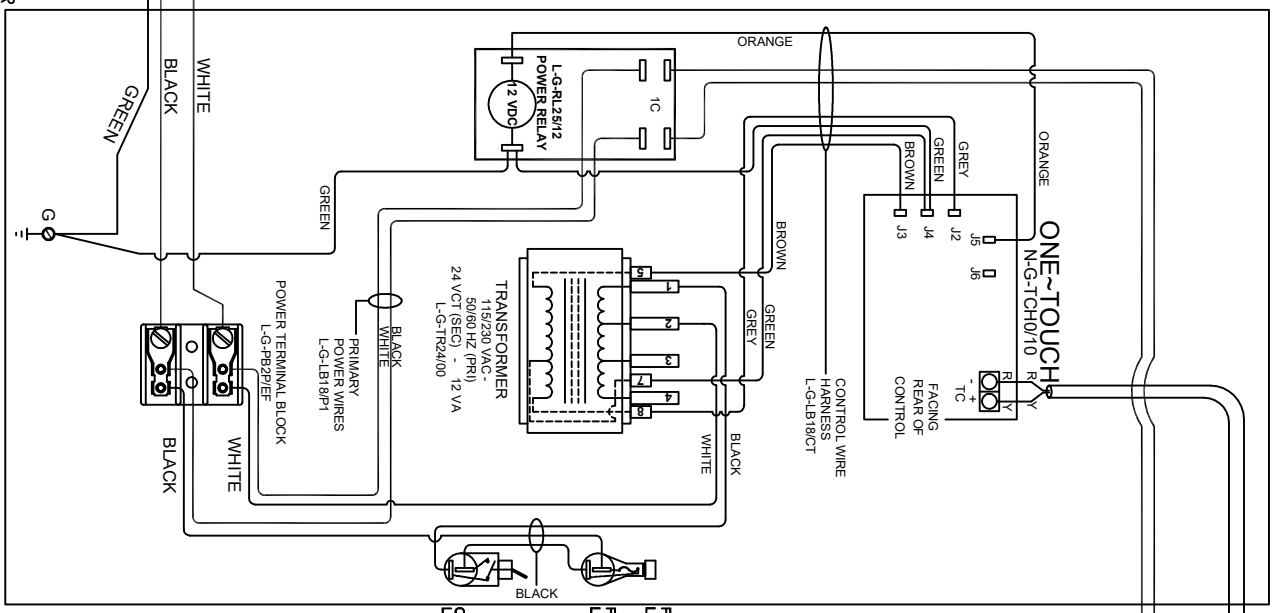
NOTES:

Control Wire:
16 AWG, 105°C
Power Wire:
10 AWG, 150°C

Industrial & commercial applications may require the installation of a LOCKOUT/TAGOUT device to prevent the Kiln from operating during maintenance.

This Kiln is recommended to be wired & connected to an approved U. L. & NEC configured receptacle controlled with a disconnect switch and properly fused according to the KW load load specification listed on the Kiln Nameplate. L&L Kiln Mfg., Inc., also recommends fuses rather than circuit breakers to prevent nuisance tripping.

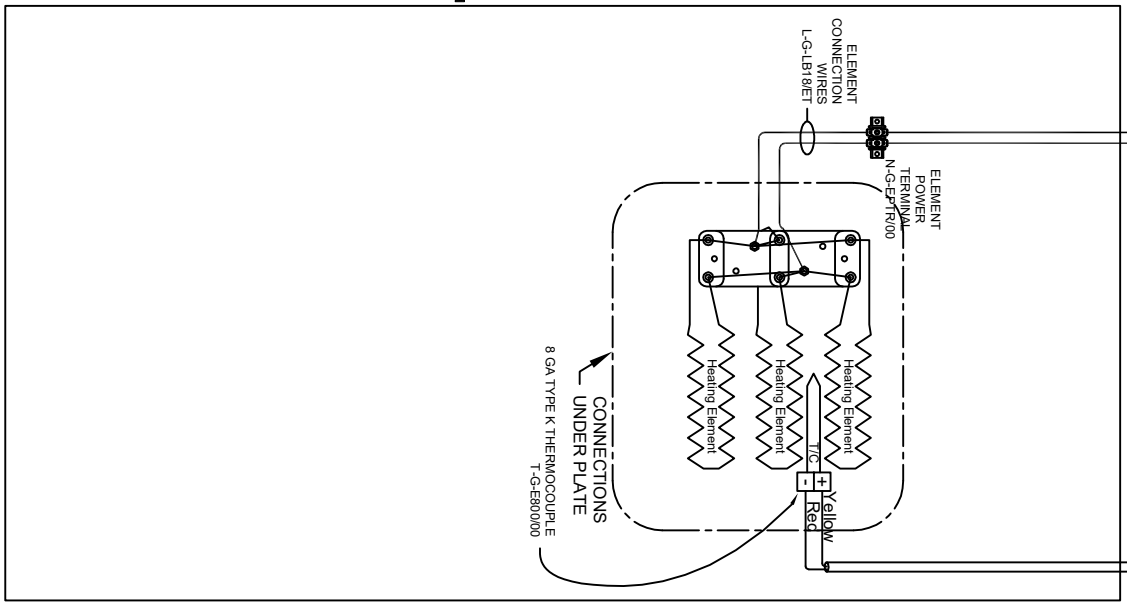
LOOKING INSIDE CONTROL PANEL



T/C WIRE - T-G-LB18HT

SECONDARY POWER WIRES L-G-LB18P2

LOOKING AT OUTSIDE OF INSULATING PLATE



SAFETY SWITCH BY CUSTOMER
Connect to
120 Volt, 20 Amp Circuit
50 or 60 Cycles.



Model DLH11-DB			
120 Volts			
VOLTAGE	120 / 1 / 50-60		
WATTS	2160		
FULL LOAD AMPS	L1	L2	L3
	18.0	18.0	X
POWER SUPPLY	FUSE	WIRE	
	20A	12 AWG	
ELEMENTS	QTY	OHMS	
	3	19.25	

DRAWING NO.	SHEET OF	REV.	TITLE	SCALE	DATE	DRAWN BY	FILE NAME	MADE FROM
K073-153	1/1	E	MODEL DLH11-DB DOLL KILN 1 PHASE WIRING DIAGRAM	1 = 8	6/7/05	G.D.L.	L:\ELULLKILNDOLL K073-153.DWG	NEW

REV.	DATE	DESCRIPTION
E	02/08/17	CORRECTED CONTROL WIRING COLORS & CONTROL TERMINAL REFERENCES
D	02/28/17	UPDATED ELEMENT OHMS
C	03/03/16	CHANGED ELEMENT OHMS
B	04/06/16	REPLACED 3-POSITION BATTERY WITH NEW ONE-TOUCH CONTROL
A	02/23/05	UPDATED LOGO & ADDRESS INFORMATION
0	01/05/05	FIRST ISSUE

Likins
505 SHARPTOWN RD.
SWEDENBORO, NJ 08085
PHONE: (609) 294-0077
FAX: (609) 294-0070