

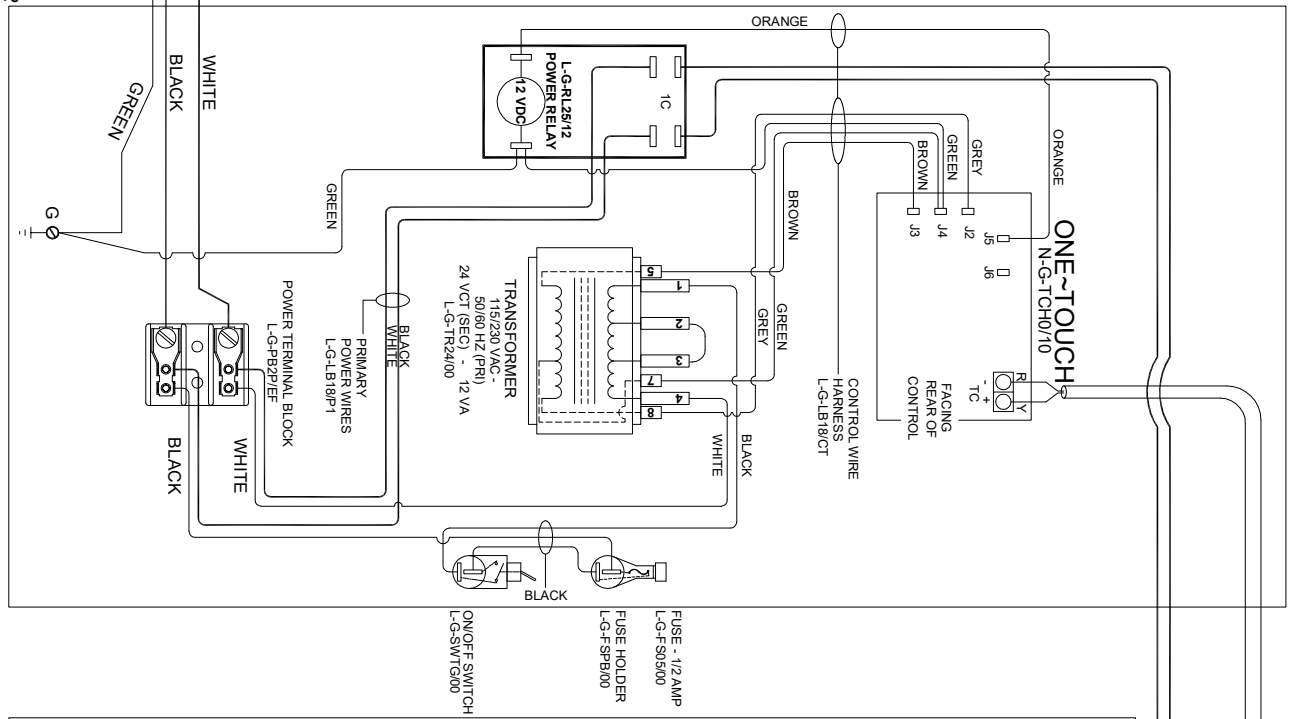
NOTES:

Control Wire:
16 AWG, 105°C
Power Wire:
10 AWG, 150°C

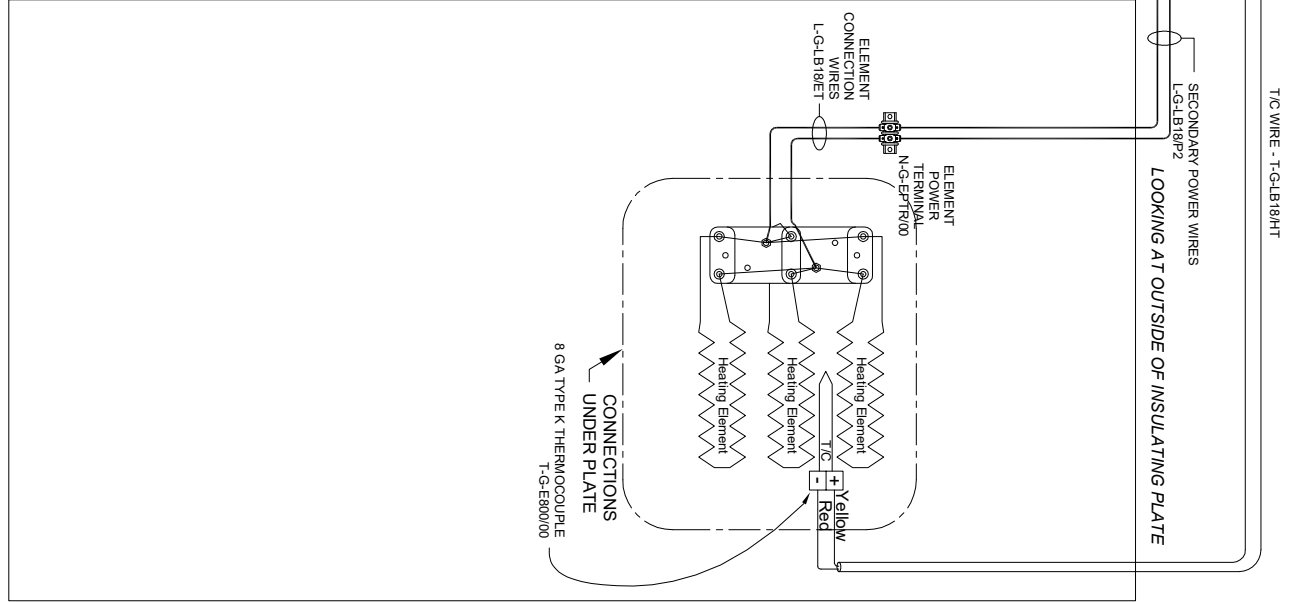
Industrial & commercial applications may require the installation of a LOCKOUT/TAGOUT device to prevent the Kiln from operating during maintenance.

This Kiln is recommended to be wired & connected to an approved U. L. & NEC configured receptacle switch and properly fused according to the KW load load specification listed on the Kiln Nameplate. L&L Kiln Mfg., Inc. also recommends fuses rather than circuit breakers to prevent nuisance tripping.

LOOKING INSIDE CONTROL PANEL



LOOKING AT OUTSIDE OF INSULATING PLATE



Model DL11-DB 120 Volts			
VOLTAGE	120 / 1 / 50-60		
WATTS	1800		
FULL LOAD AMPS	L1	L2	L3
	15.0	15.0	X
POWER SUPPLY	FUSE	WIRE	
	20A	12 AWG	
ELEMENTS	QTY	OHMS	
	3	22.5	

SAFETY SWITCH BY CUSTOMER
Connect to
120 Volt, 20 Amp Circuit
50 or 60 Cycles.

DRAWING NO.	SHEET OF	REV.	TITLE	SCALE	DATE	DRAWN BY	FILE NAME	MADE FROM
K072-151	1/1	C	MODEL DL11-DB DOLL KILN 1 PHASE WIRING DIAGRAM	1 = 8	8/31/09	G.D.L.	L:\ELV\LKILN\LDL K072-151.DWG	K073-153.DWG

505 SHARPTOWN ROAD
SMEDERSBORO, N.J. 08065
PHONE: (609) 294-0077
FAX: (609) 294-0070

REVISION DESCRIPTION

REV. #	DATE	DESCRIPTION
C	11/04/07	UPDATED WIRING COLOURS, CONTROL REFERENCE LABELS, TRANSFORMER WIRING CONFIG.
B	11/04/07	REMOVED EXISTING ELEMENT PIN
A	4/06/07	REPLACED SHUTTON PART LETTER WITH NEW ONE TOUCH CONTROL.
0	03/05/07	FIRST ISSUE