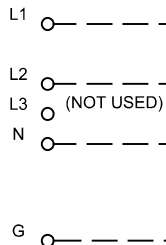


**NOTES:**

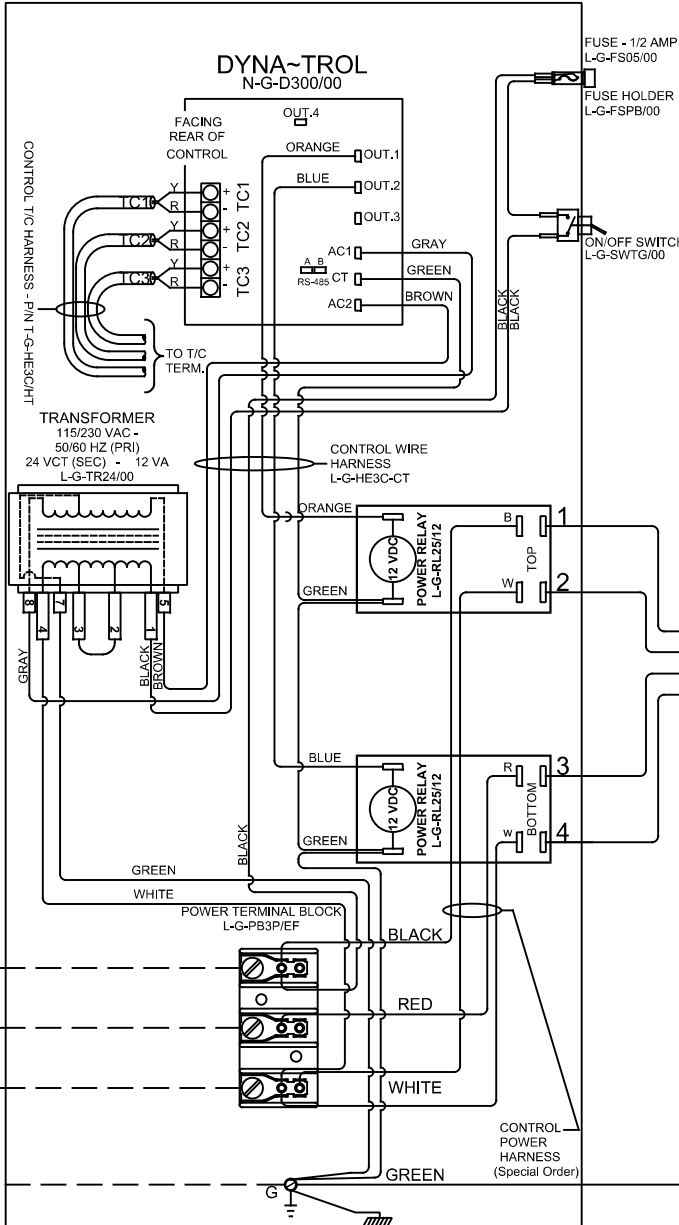
Control Wire:  
16 AWG, 105°C  
Power Wire:  
10 AWG, 150°C

Industrial & commercial applications may require the installation of a LOCKOUT/TAGOUT device to prevent the Kiln from operating during maintenance.

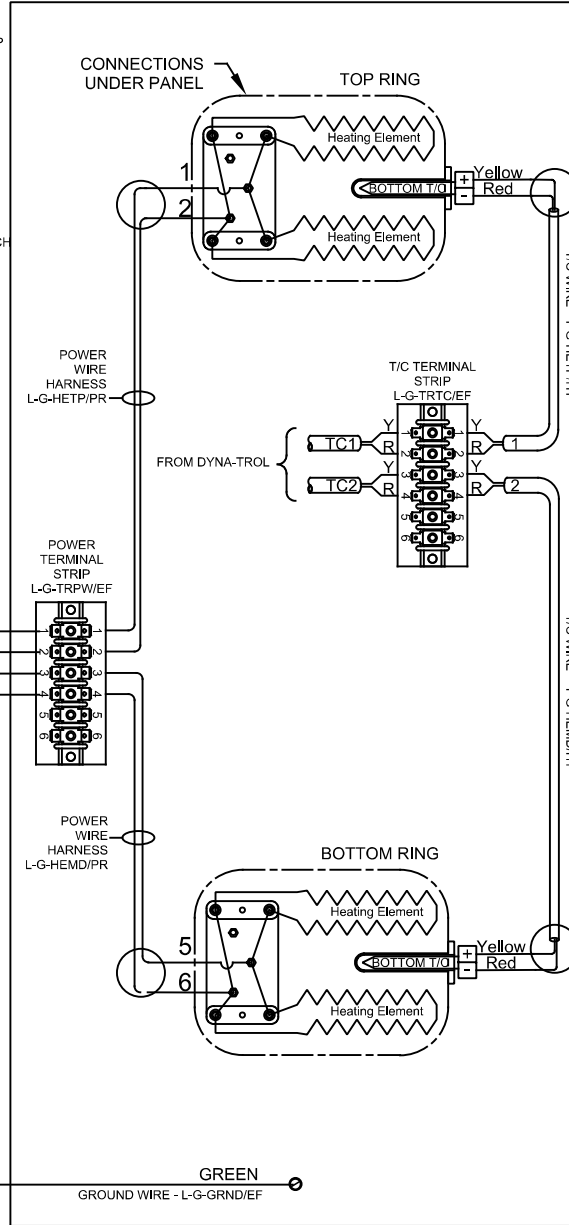
This Kiln is recommended to be wired & connected to an approved U. L. & NEC configured receptacle controlled with a disconnect switch and properly fused according to the KW load load specification listed on the Kiln Nameplate. L&L Kiln Mfg., Inc., also recommends fuses rather than circuit breakers to prevent nuisance tripping.



**LOOKING INSIDE CONTROL PANEL**



**LOOKING AT OUTSIDE OF ELEMENT COVER PANEL**



<b>Model e28S-380-3PY</b>	
VOLTAGE	380 / 3-Y / 50-60
WATTS	10,500
FULL LOAD AMPS	L1   L2   L3 23.9   23.9   0
POWER SUPPLY	FUSE   WIRE 30A   10 AWG
ELEMENTS	QTY   OHMS 4   17.7

<b>Model e28S-400-3PY</b>	
VOLTAGE	400 / 3-Y / 50-60
WATTS	11923
FULL LOAD AMPS	L1   L2   L3 25.9   25.9   0
POWER SUPPLY	FUSE   WIRE 40   8 AWG
ELEMENTS	QTY   OHMS 4   17.7

<b>Model e28S-415-3PY</b>	
VOLTAGE	415 / 3-Y / 50-60
WATTS	10,500
FULL LOAD AMPS	L1   L2   L3 24.0   24.0   0
POWER SUPPLY	FUSE   WIRE 30A   10 AWG
ELEMENTS	QTY   OHMS 4   17.65

**SAFETY SWITCH BY CUSTOMER**  
Connect to  
380V or 400V or 415V Volt, 4 Wire, 3 Phase Wye  
50 or 60 Cycles.

A	3/17/11	CHANGED ELEMENTS TO PARALLEL	
REV.#	DATE	REVISION DESCRIPTION	