

NOTES:

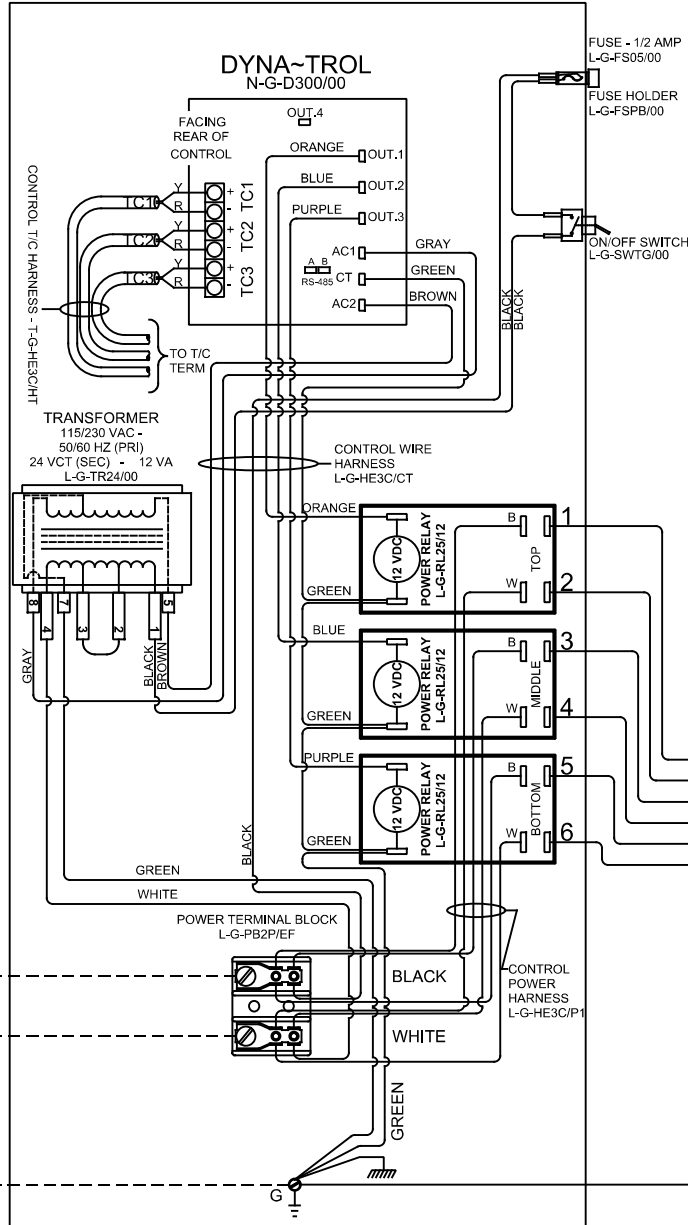
Control Wire:
16 AWG, 105°C
Power Wire:
10 AWG, 150°C

Industrial & commercial applications may require the installation of a LOCKOUT/TAGOUT device to prevent the Kiln from operating during maintenance.

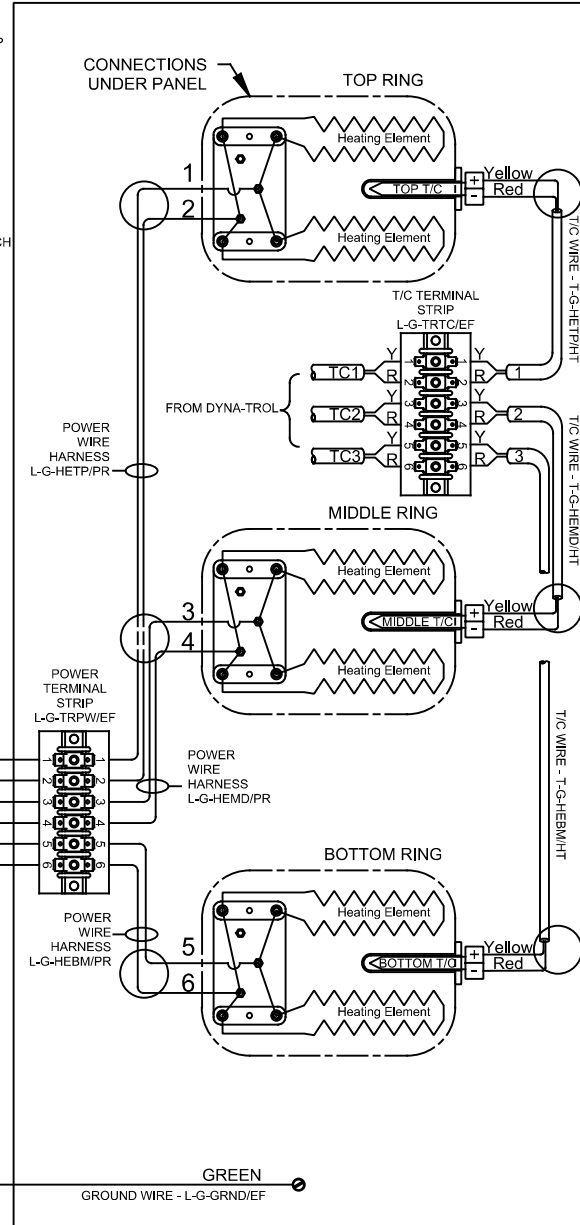
This Kiln is recommended to be wired & connected to an approved U. L. & NEC configured receptacle controlled with a disconnect switch and properly fused according to the KW load specification listed on the Kiln Nameplate. L&L Kiln Mfg., Inc., also recommends fuses rather than circuit breakers to prevent nuisance tripping.



LOOKING INSIDE CONTROL PANEL



LOOKING AT OUTSIDE OF ELEMENT COVER PANEL
LOOKING AT OUTSIDE OF ELEMENT COVER PANEL



Model
e23T-220

VOLTAGE	220 / 1 / 50-60		
WATTS	10,560		
FULL LOAD AMPS	L1	L2	L3
	48.0	48.0	
POWER SUPPLY	FUSE	WIRE	
	60A	6 AWG	
ELEMENTS	QTY	OHMS	
	6	26.5	

SAFETY SWITCH BY CUSTOMER
Connect to
220 Volt, 2 Wire, Single Phase
50 or 60 Cycles.

REV. #	DATE	REVISION DESCRIPTION
A	3/17/17	CHANGED ELEMENTS TO PARALLEL
		REVISION DESCRIPTION