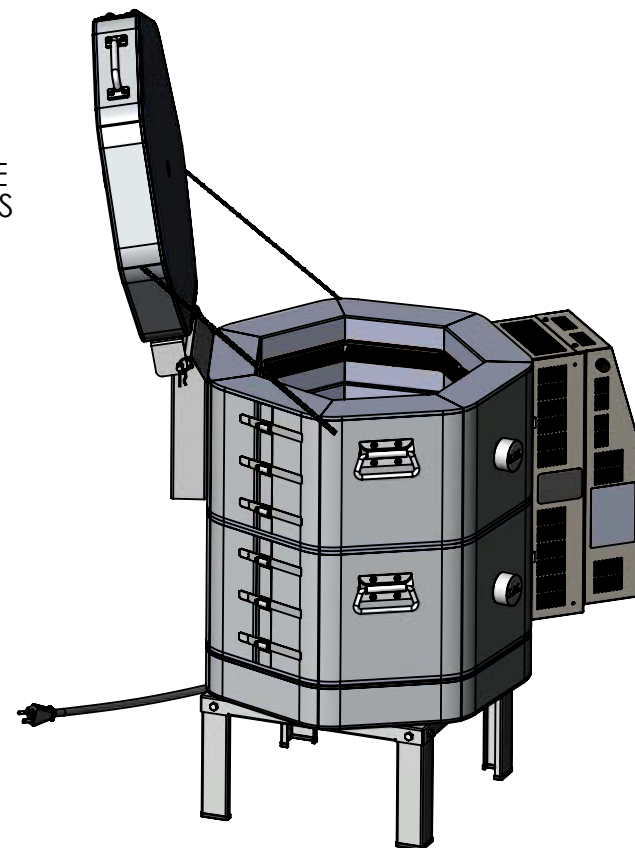
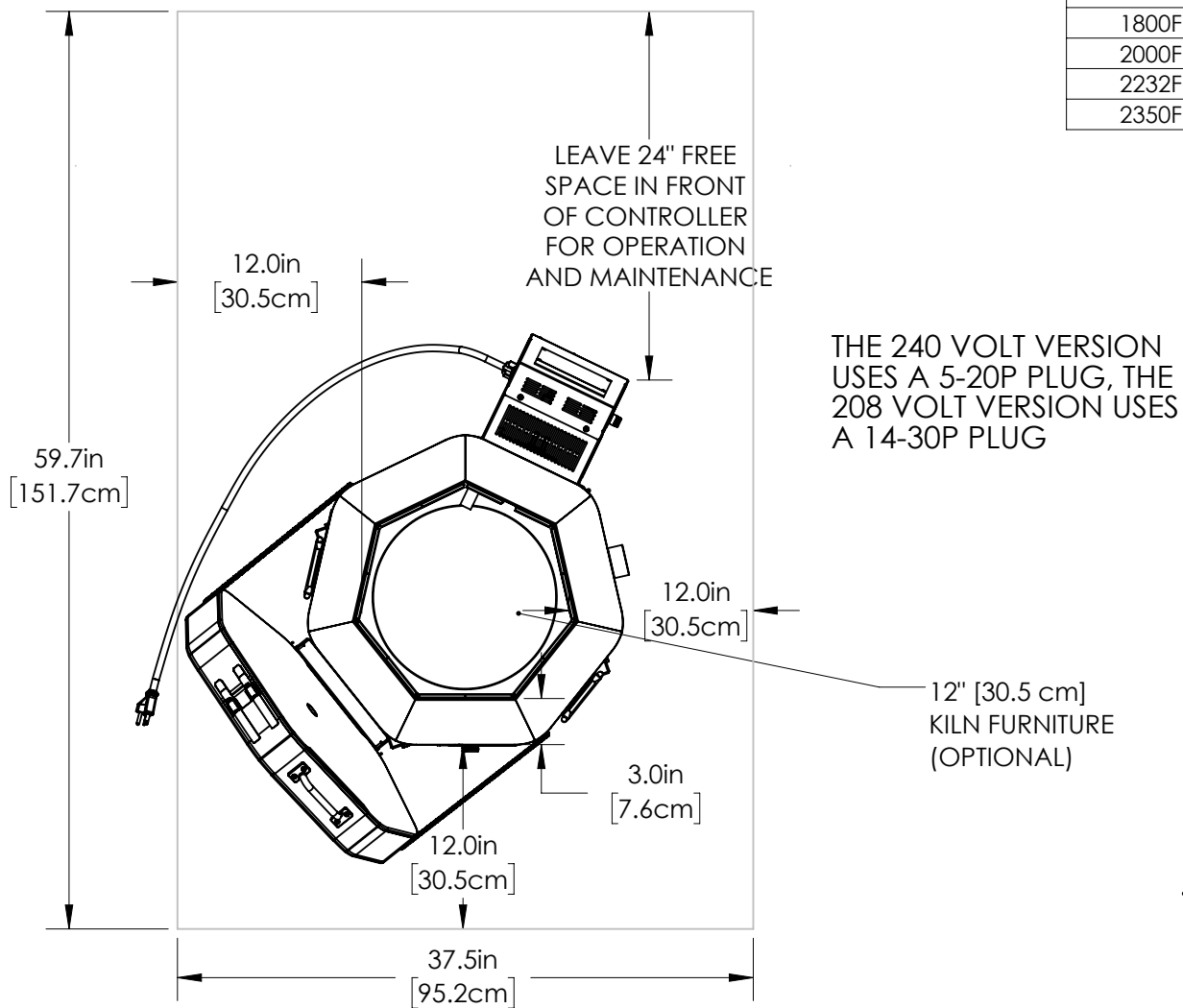
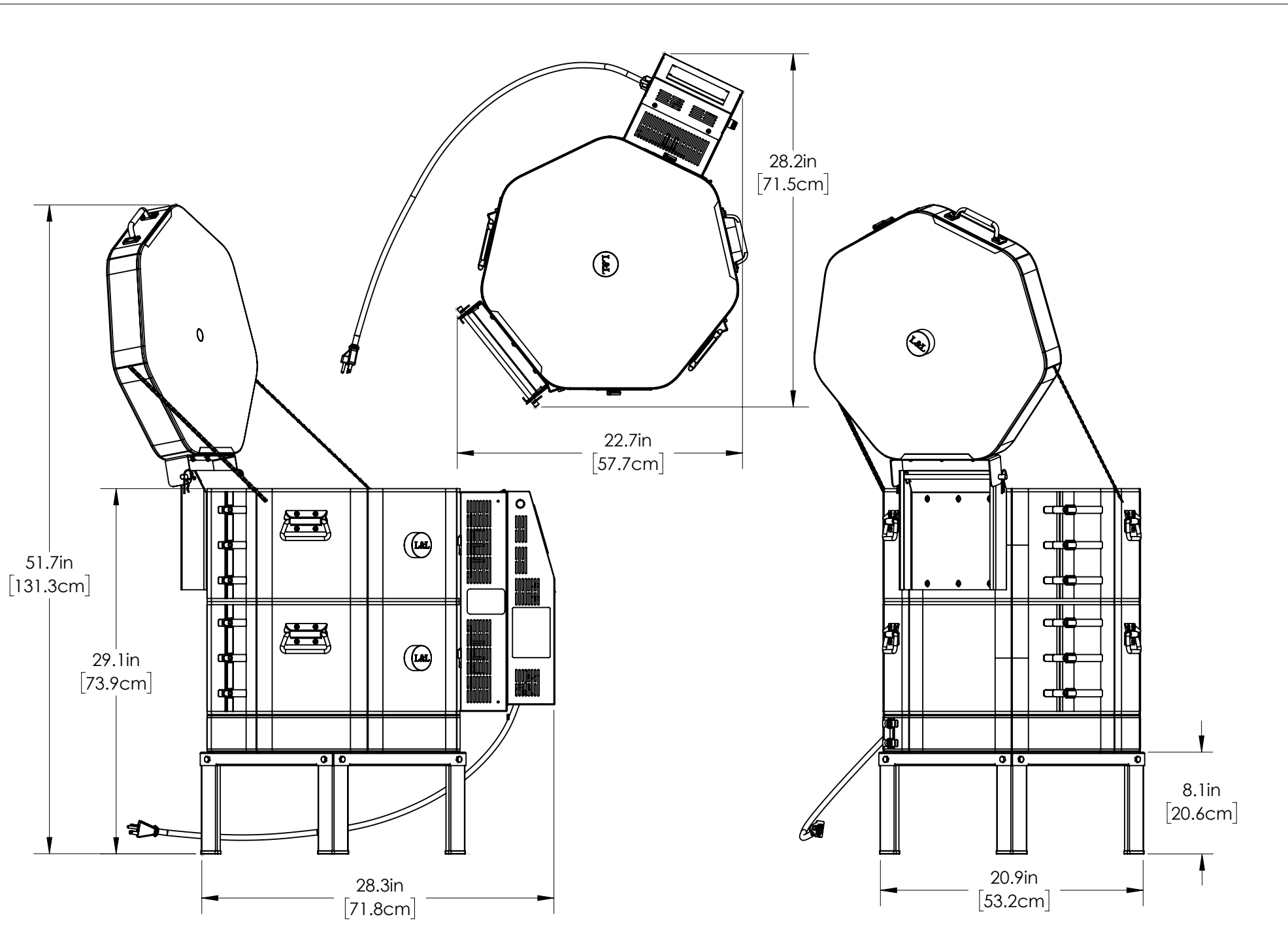


- WALL/KILN SPACING:** 12" [30.5cm] SPACING BETWEEN SIDES OF KILN AND WALLS OR OTHER OBJECTS. 18" [45.7cm] IS RECOMMENDED. LEAVE AT LEAST 18" [45.7cm] BETWEEN TWO KILNS.
- AMBIENT VENTILATION:** SEE CHART TO RIGHT FOR RATINGS. TO CALCULATE REQUIREMENTS, SEE hotkilns.com/calculate-kiln-room-ventilation.
- KILN VENTILATION:** FUEGOS CAN BE VENTED MANUALLY WITH THE VENT HOLE AT THE TOP BUT CAN ALSO BE FITTED WITH A VENT-SURE VENT SYSTEM

- OTHER INFO:** REFER TO INSTALLATION INSTRUCTIONS AND CAUTIONS INSTRUCTIONS FOR OTHER REQUIREMENTS AND SAFETY INFORMATION. REFER TO WIRING DIAGRAM FOR ELECTRICAL HOOKUP INFORMATION.
- MAX LOAD WEIGHT:** SEE hotkilns.com/load-weight.
- WEIGHT OF KILN:** 150 LBS, 69 KG

BTUS/ KILOJOULES PER HOUR NEEDED TO BE VENTED WITH AMBIENT ROOM VENTILATION (THIS IS IN ADDITION TO KILN VENTING):			
AT TEMP F	BTUS	AT TEMP C	KILOJOULES
1800F	5280	980C	5570
2000F	6172	1095C	6512
2232F	7288	1222C	7689
2350F	7887	1285C	8322





MADE FROM NEW	DRAWN BY SJL	DATE 01/01/2021	SCALE 1:10	TITLE F1418-3 FUEGO USA GENERAL DIMENSIONS	LKilns hotkilns.com	505 SHARPTOWN RD SWEDESBORO NJ 08085 PH: (856) 294-0077 FAX: (856) 294-0070	REV 0	SHEET OF 2/3	DRAWING NO. 210-000-20-3
------------------	-----------------	--------------------	---------------	---	-------------------------------	--	-----------------	-----------------	-----------------------------

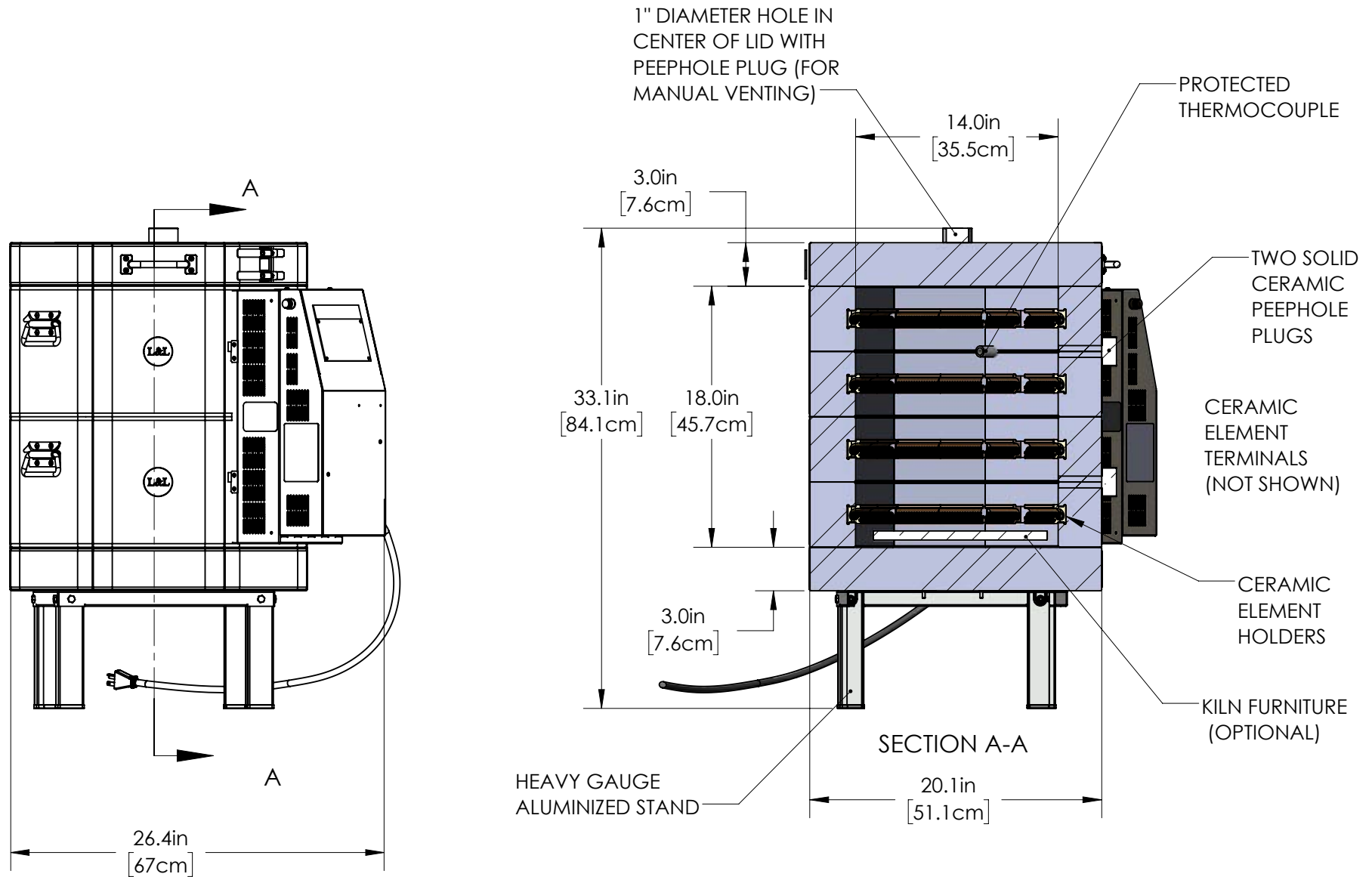
5

4

3

2

1



OPTIONAL FURNITURE KIT: (3) 12" [30.5 cm] FULL ROUND SHELF, FOUR EACH 3" & 4", EIGHT 1-1/2", TWELVE 1/2" HIGH TRIANGULAR POSTS

MADE FROM NEW	DRAWN BY SJL	DATE 01/01/2021	SCALE 1:10	TITLE F1418-3 FUEGO USA GENERAL DIMENSIONS		505 SHARPTOWN RD SWEDESBORO NJ 08085 PH: (856) 294-0077 FAX: (856) 294-0070	REV 0	SHEET OF 3/3	DRAWING NO. 210-000-20-3
------------------	-----------------	--------------------	---------------	---	---	--	----------	-----------------	-----------------------------

5

4

3

2

1