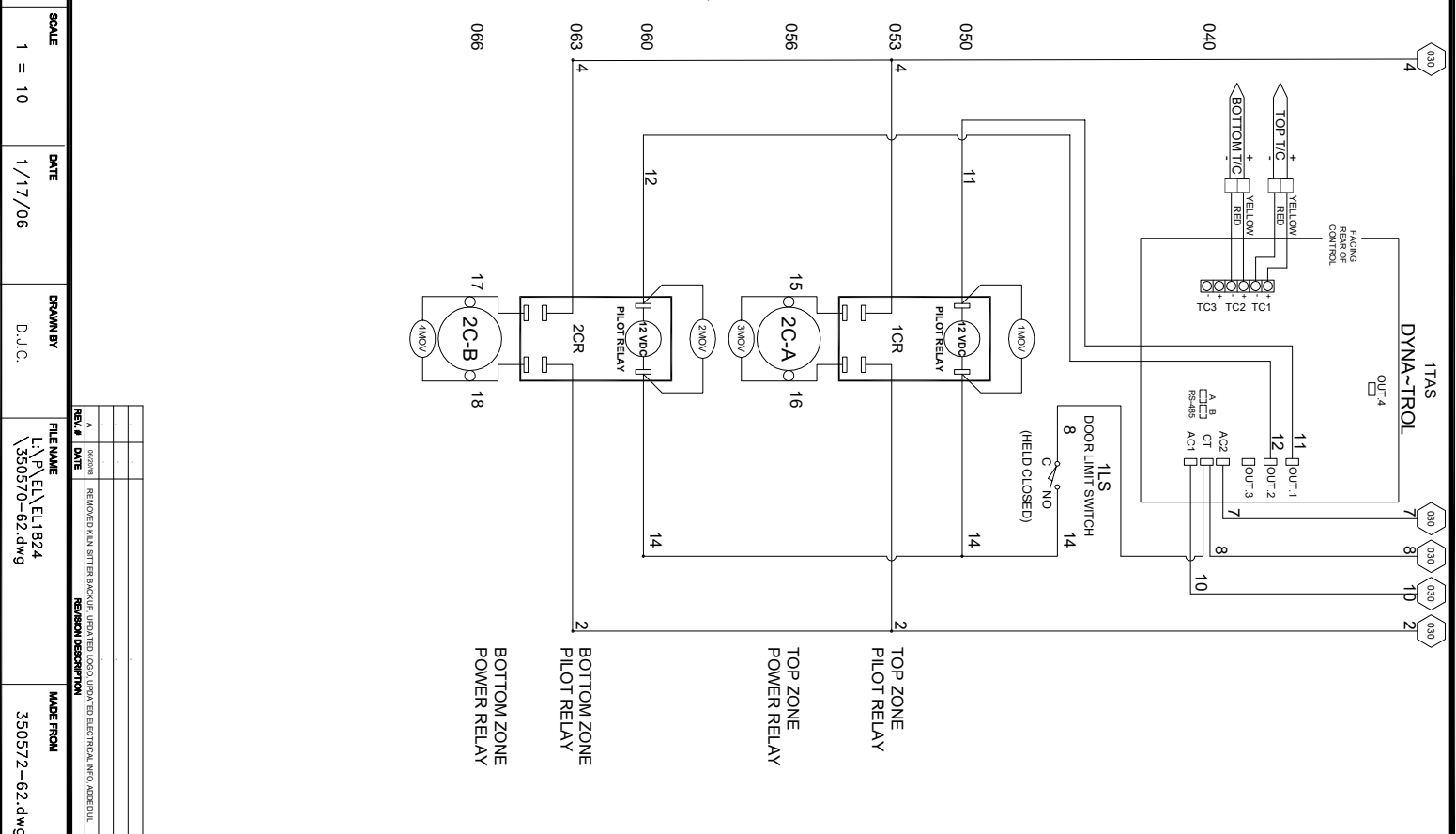
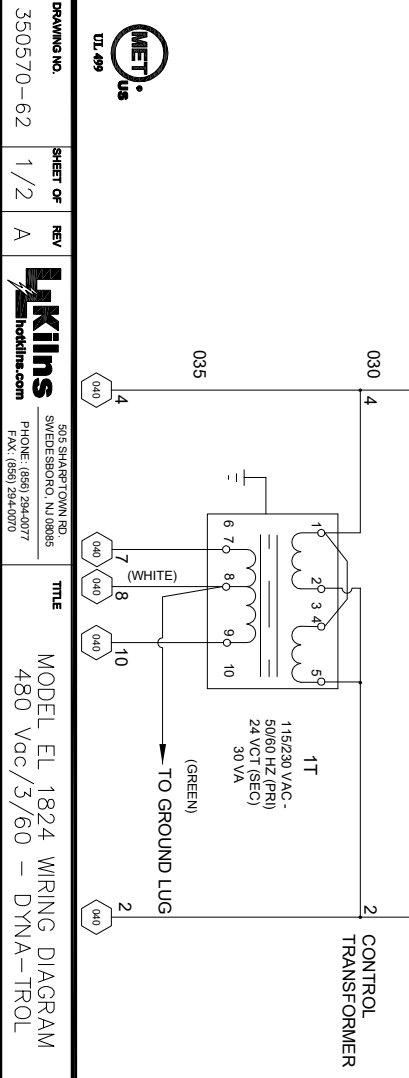
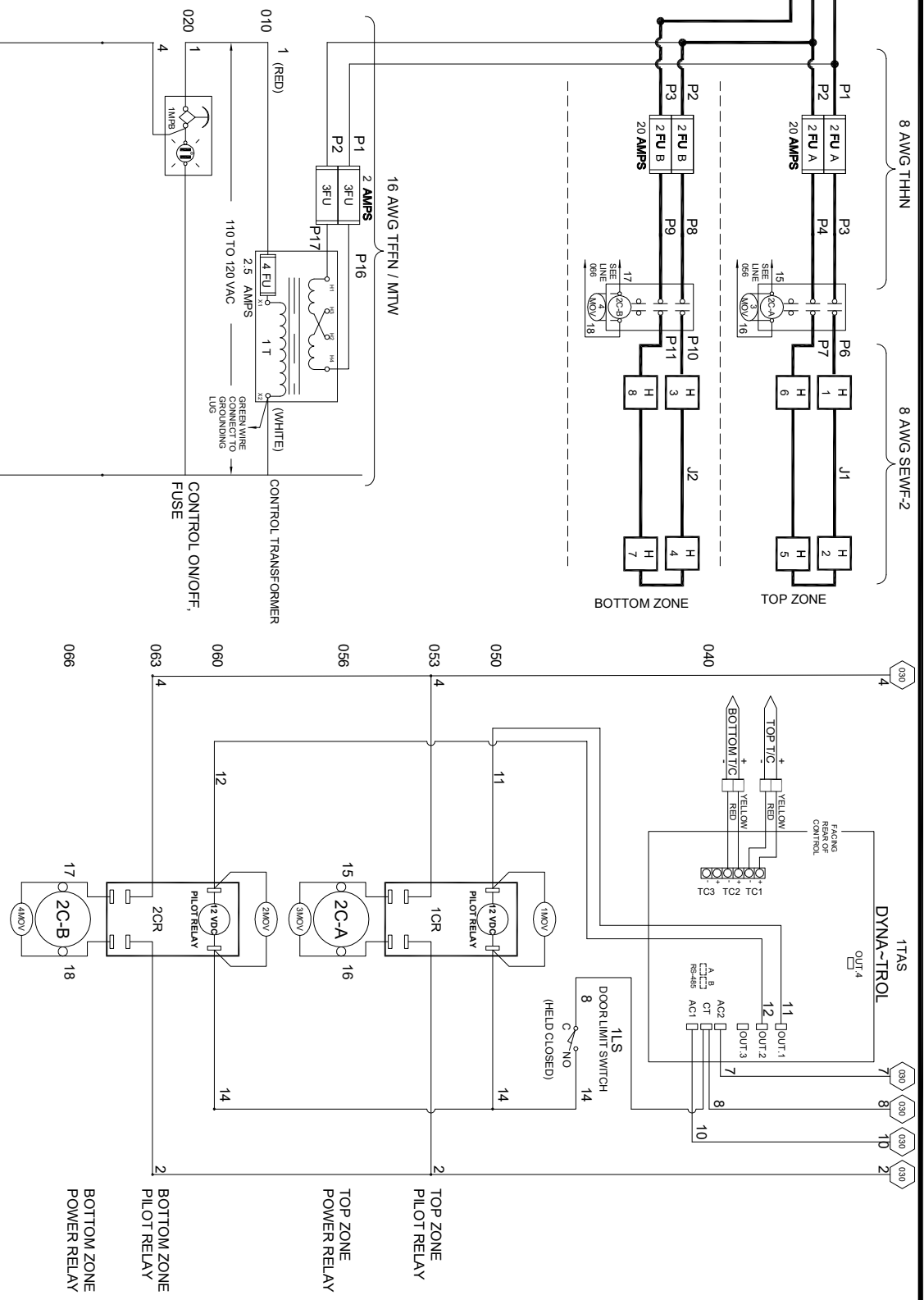


**SAFETY SWITCH BY CUSTOMER**  
 Connect to 480 Volt, 3 Phase  
 50 or 60 Cycles.  
 SEE POWER  
 REQUIREMENT TABLE

Model		EL 1824		
VOLTAGE	480 / 3 / 50-60			
WATTS	10,500			
FULL LOAD AMPS	L1 10.9   L2 18.9   L3 10.9			
POWER SUPPLY ELEMENTS	FUSE 25A   WIRE 12 AWG			
	QTY 4   OHMS 5.3			
				15.8



**DRAWING NO.** 350570-62 | **SHEET OF** 1/2 | **REV** A

**505 SHARPTOWN RD.**  
 SYDNEY, OHIO 45385  
 PHONE: (856) 294-0077  
 FAX: (856) 294-0070

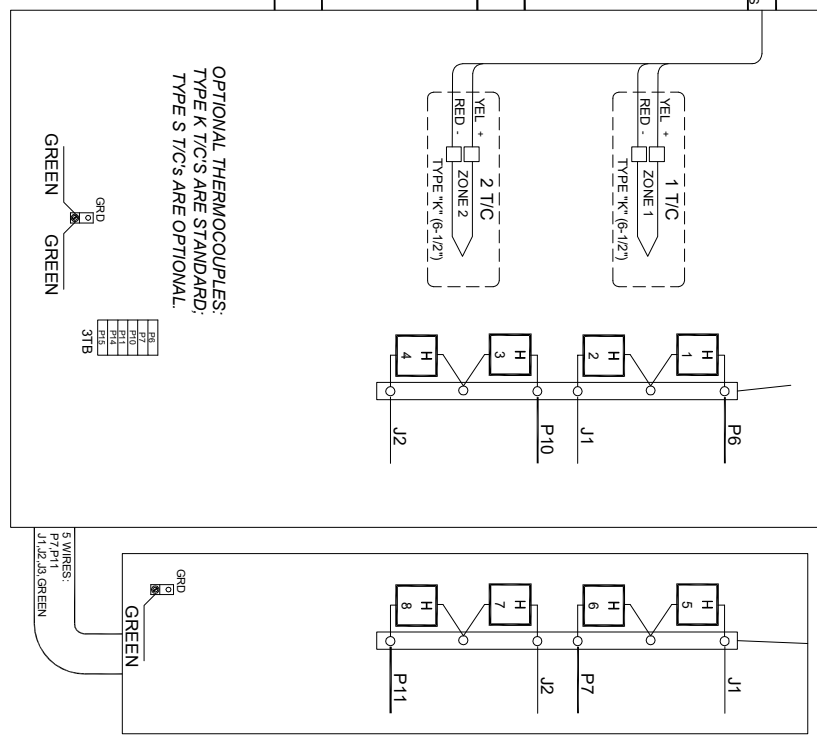
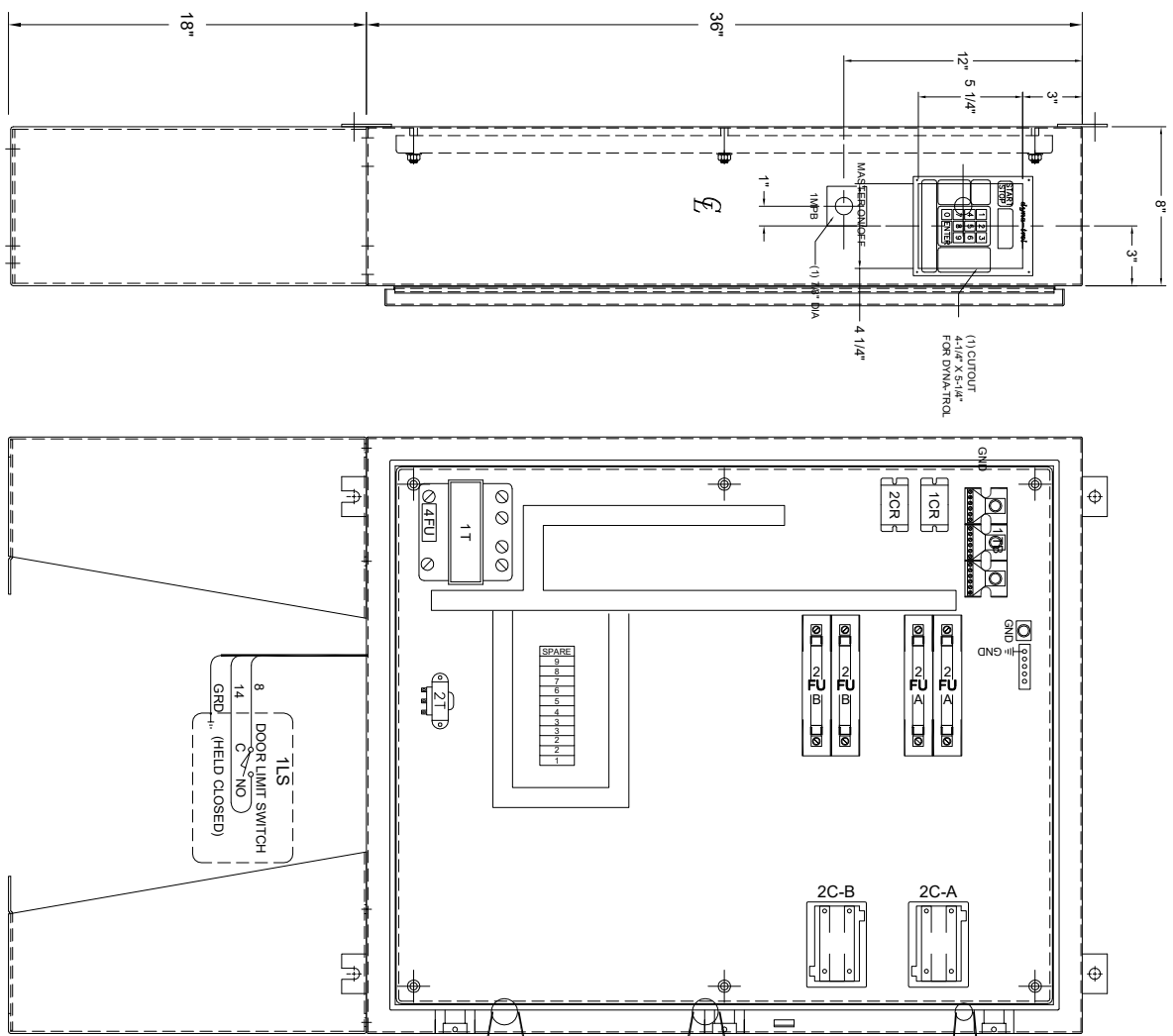
**MODEL EL 1824 WIRING DIAGRAM**  
 480 Vac/3/60 - DYNA-TROL

**SCALE** 1 = 10 | **DATE** 1/17/06 | **DRAWN BY** D.J.C.

**FILE NAME** L:\P\EL\EL1824 350570-62.dwg | **MADE FROM** 350572-62.dwg

**REVISION DESCRIPTION**

REV #	DATE	DESCRIPTION
1	06/06	REMOVED DATA SHEET BACKUP, UPDATED LOGO, UPDATED ELECTRICAL INFO, ASSEMBLY



- NOTES**
- 1) All electrical feeders & equipment will be supplied & installed by the customer, meeting requirements set by the local & national electrical code standards. L & L recommends any such installation be approved by a certified electrical inspector.
  - 2) For Kilns not equipped with a fused safety disconnect switch, L & L recommends the customer to install such equipment within 6 feet of operating furnace.
  - 3) Industrial & commercial applications may require the installation of a LOCKOUT/TAGOUT device to meet safety & maintenance requirements.
  - 6) Wire gauge and insulation of Power Wires and Control Circuit Wires are as marked.
  - 7) Power Wire Color is Black, and wires are numbered as marked.
  - 8) Control Circuit Wires are numbered as marked, and colors are:  
 RED = 1,3,6, 8-11,13,15,17  
 BLACK = 2,14, 16,18, 19.  
 WHITE = 7,12.  
 GREEN = GROUNDING AND BONDING WIRES.



REV.#	DATE	REVISION DESCRIPTION
A		
1	06/06	REMOVED KELN SITTENBACKUP CONTROLS, UPDATED LOGS, UPDATED ELECTRICAL INFO