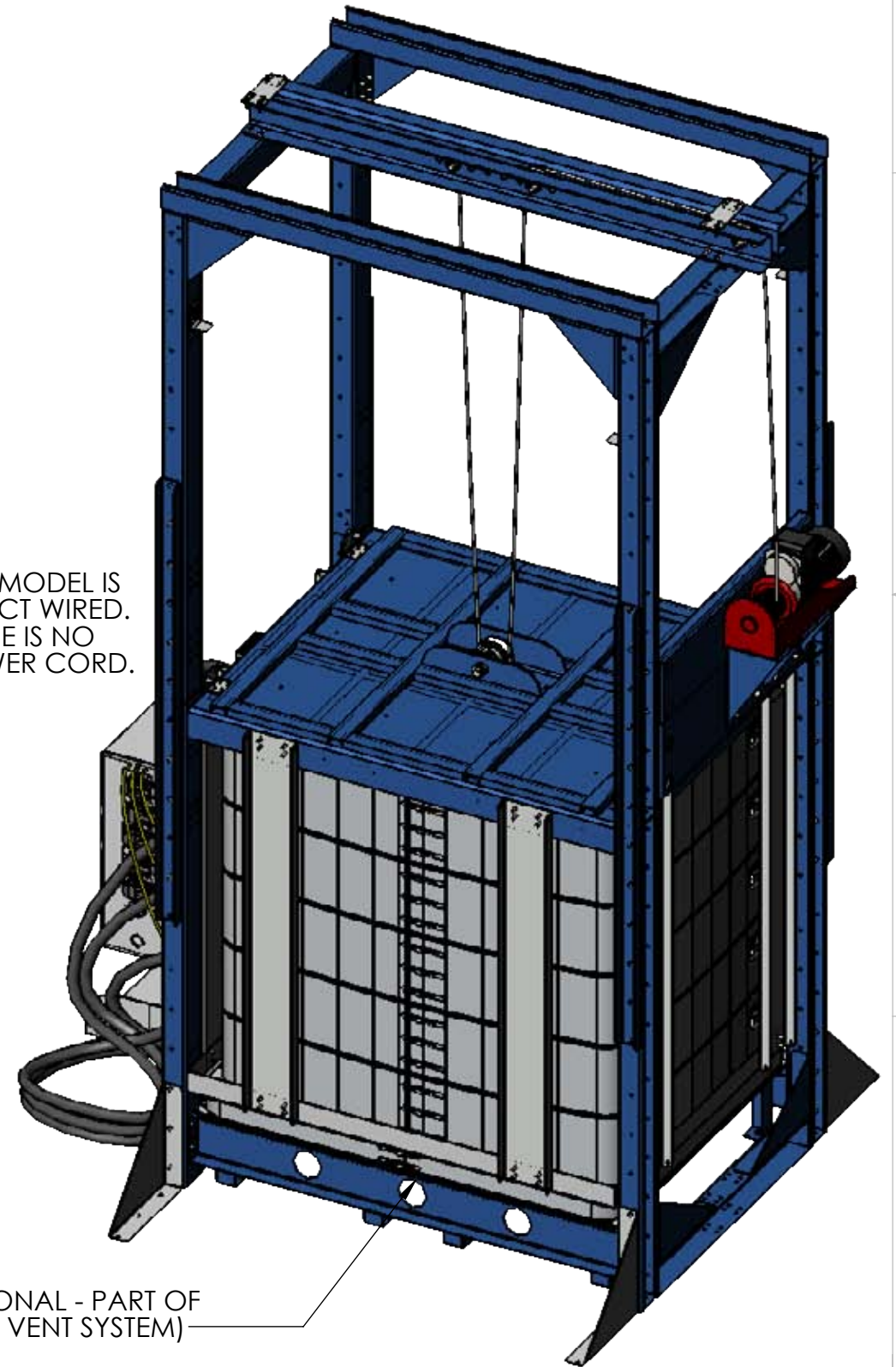
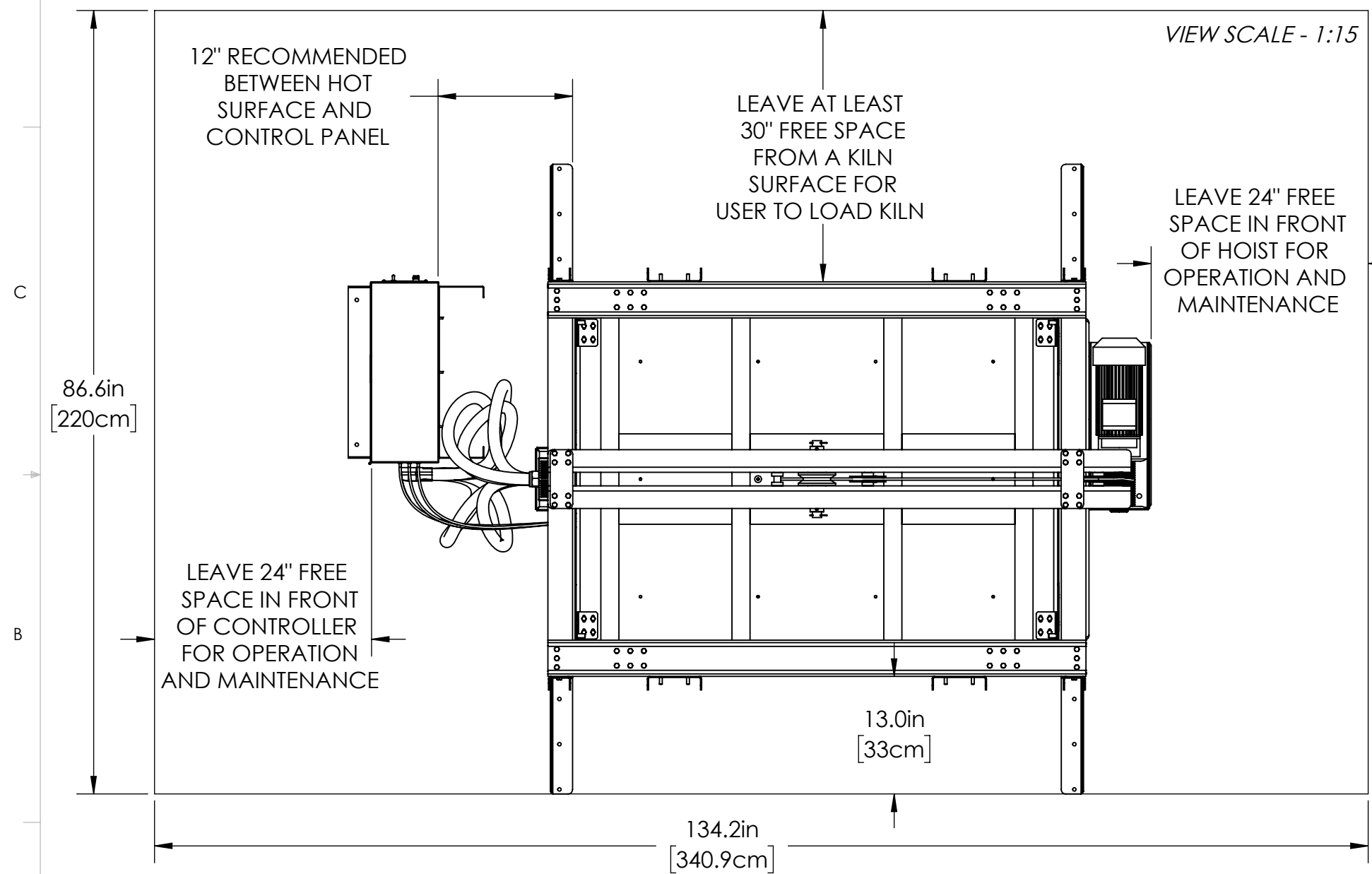


- WALL/KILN SPACING:** 12" [30.5cm] SPACING BETWEEN SIDES OF KILN AND WALLS OR OTHER OBJECTS. 18" [45.7cm] IS RECOMMENDED. LEAVE AT LEAST 18" [45.7cm] BETWEEN TWO KILNS.
- AMBIENT VENTILATION:** SEE CHART BELOW FOR RATINGS. TO CALCULATE REQUIREMENTS, SEE hotkilns.com/calculate-kiln-room-ventilation.
- KILN VENTILATION:** L&L VENT-SURE KILN VENT RECOMMENDED FOR SAFETY AND LONGER ELEMENT LIFE. OPTIONAL CONTROL ALLOWS VENT TO BE TURNED ON AND OFF WITH CONTROL.

- OTHER INFO:** REFER TO INSTALLATION INSTRUCTIONS AND CAUTIONS INSTRUCTIONS FOR OTHER REQUIREMENTS AND SAFETY INFORMATION. REFER TO WIRING DIAGRAM FOR ELECTRICAL HOOKUP INFORMATION.
- MAX LOAD WEIGHT:** SEE hotkilns.com/load-weight
- WEIGHT OF KILN:** 1985 LBS, 900 KG

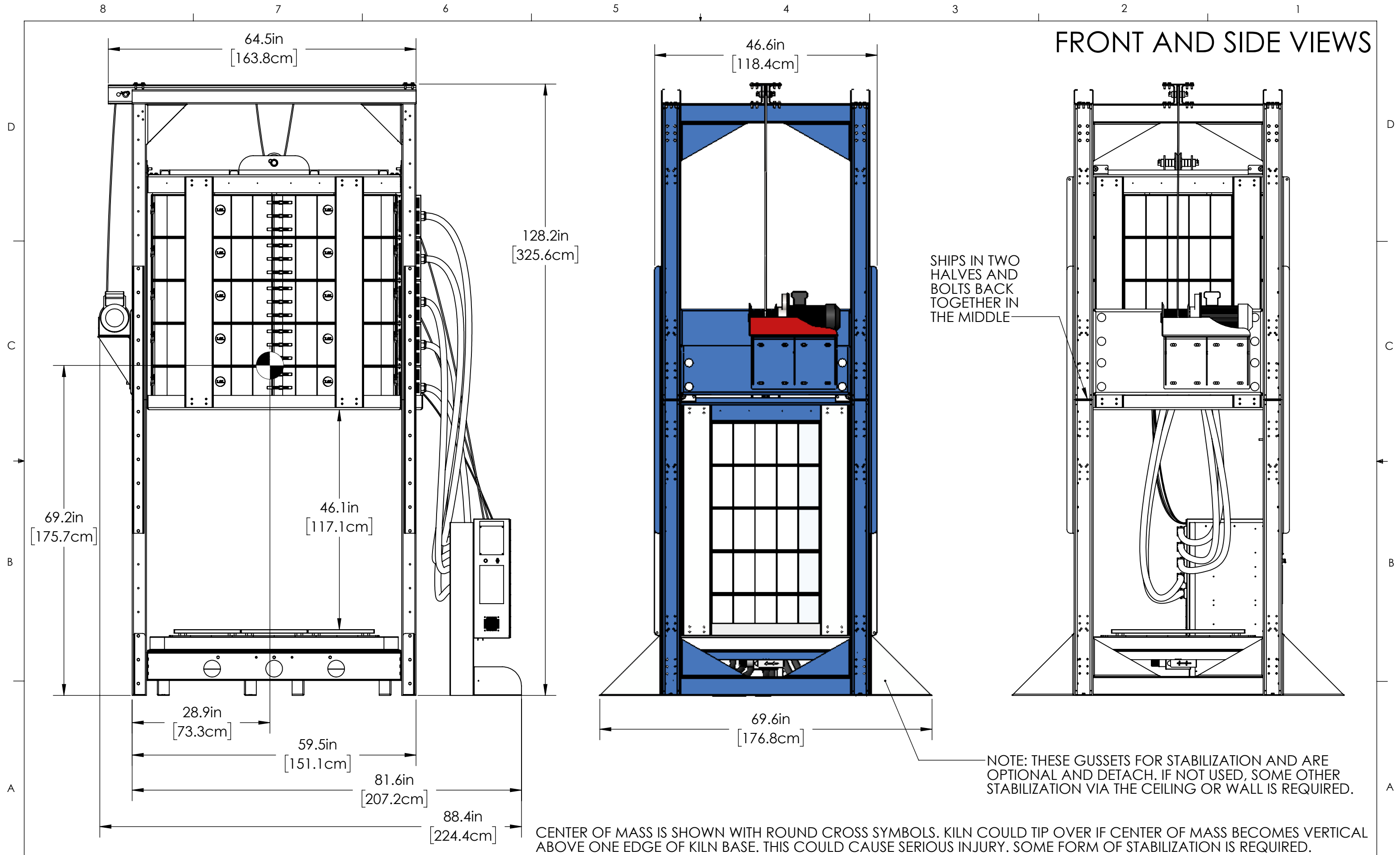
CLEARANCES, LAYOUT & INSTALLATION



BTUS/ KILOJOULES PER HOUR NEEDED TO BE VENTED WITH AMBIENT ROOM VENTILATION (THIS IS IN ADDITION TO KILN VENTING):

AT TEMP F	BTUS	AT TEMP C	KILOJOULES
1800F	37449	980C	39511
2000F	44140	1095C	46571
2232F	52601	1222C	55497
2350F	57193	1285C	60342

FRONT AND SIDE VIEWS



THE INFORMATION CONTAINED IN THIS DRAWING IS THE SOLE PROPERTY OF L&L KILN MFG INC. ANY REPRODUCTION IN PART OR AS A WHOLE WITHOUT THE WRITTEN PERMISSION OF L&L KILN MFG INC. IS PROHIBITED.

MADE FROM
NEW

DRAWN BY
DSL

DATE
05/01/20

SCALE
1:18

TITLE
T3445-BL (3" BRICK) DAVINCI BELL-LIFT GENERAL DIMENSIONS



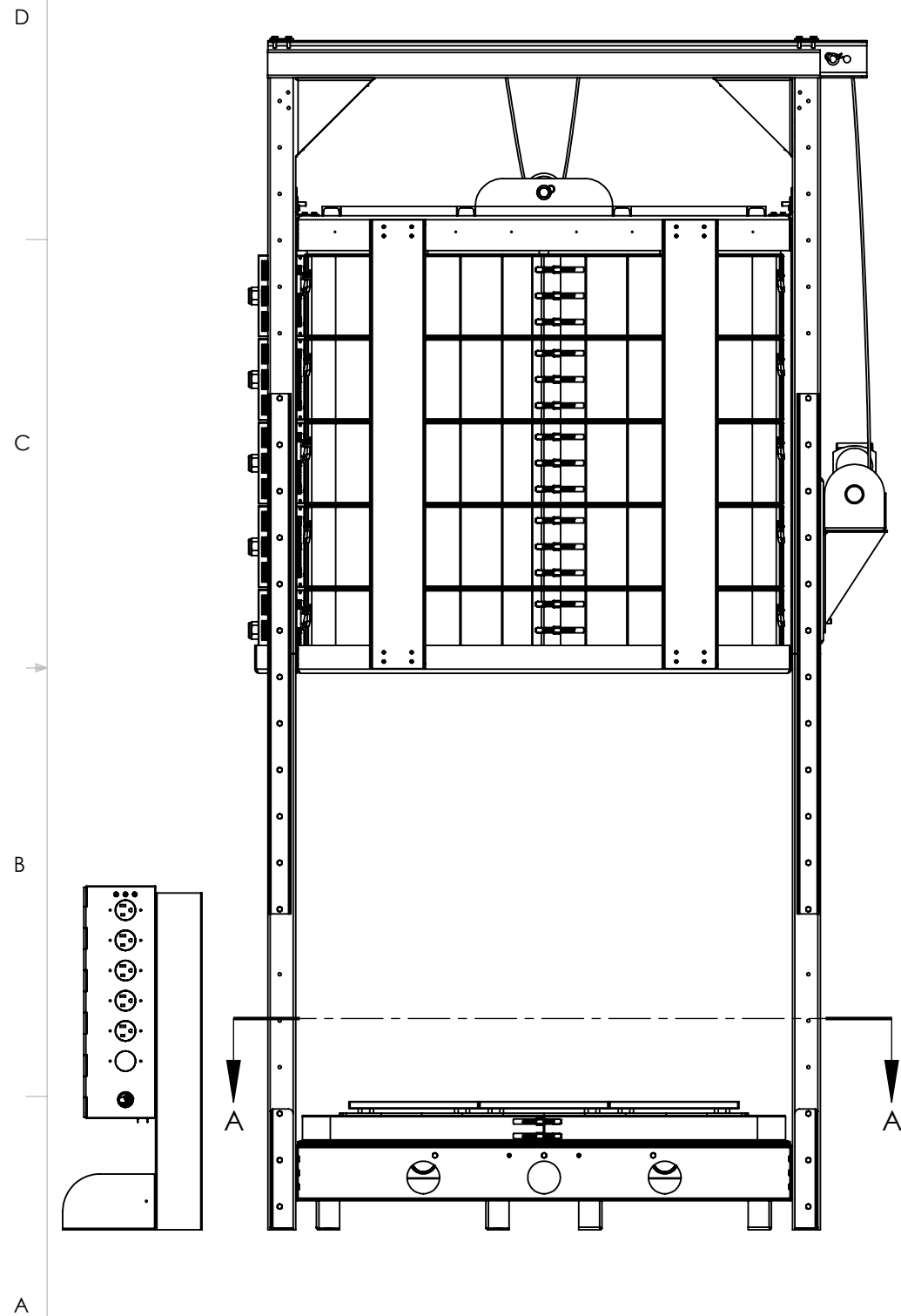
505 SHARPTOWN RD
SWEDESBORO NJ 08085
PH: (856) 294-0077
FAX: (856) 294-0070

REV
0

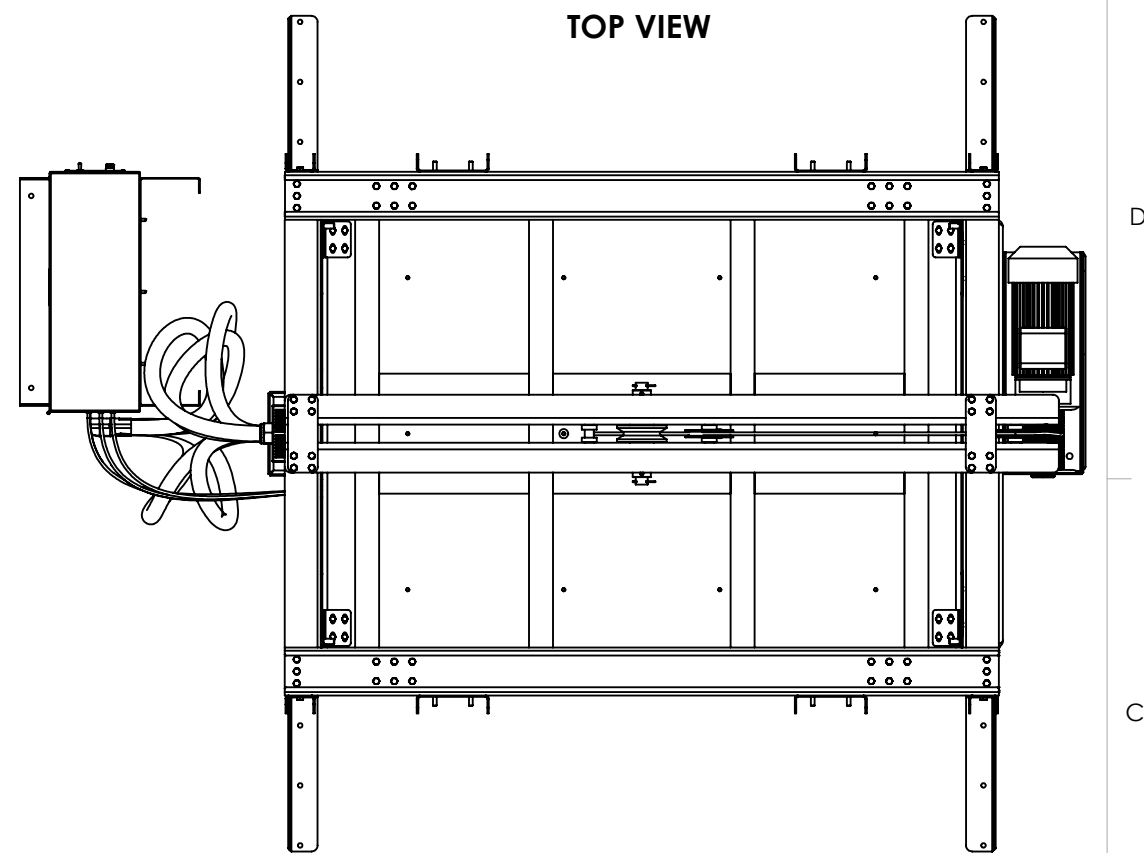
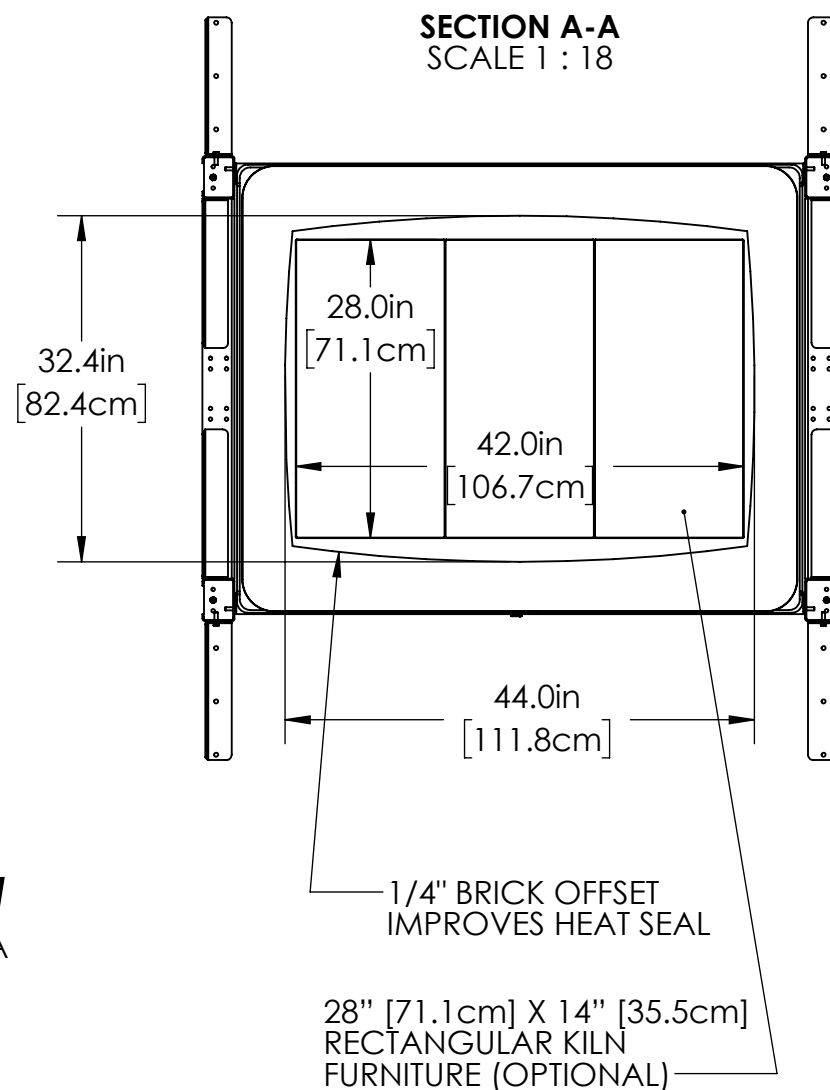
SHEET OF
2/4

DRAWING NO.
300-001-65

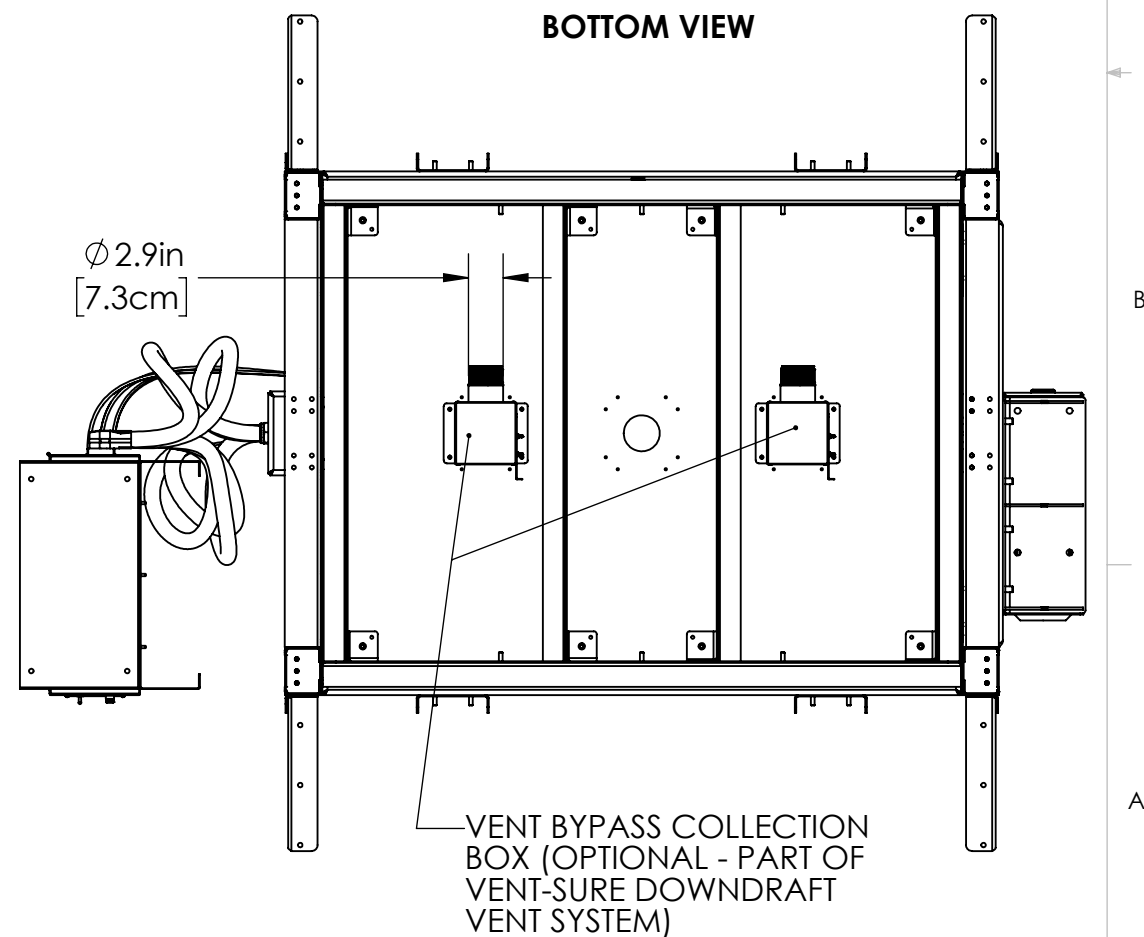
INTERIOR SECTION VIEW, TOP & BOTTOM VIEWS



VIEW OF BRICK BOTTOM, FROM ABOVE



BOTTOM VIEW



THE INFORMATION CONTAINED IN THIS DRAWING IS THE SOLE PROPERTY OF L&L KILN MFG INC. ANY REPRODUCTION IN PART OR AS A WHOLE WITHOUT THE WRITTEN PERMISSION OF L&L KILN MFG INC. IS PROHIBITED.

MADE FROM
NEW

DRAWN BY
DSL

DATE
05/01/20

SCALE
1:16

TITLE
T3445-BL (3" BRICK) DAVINCI BELL-LIFT GENERAL DIMENSIONS

L&L Kilns
hotkilns.com

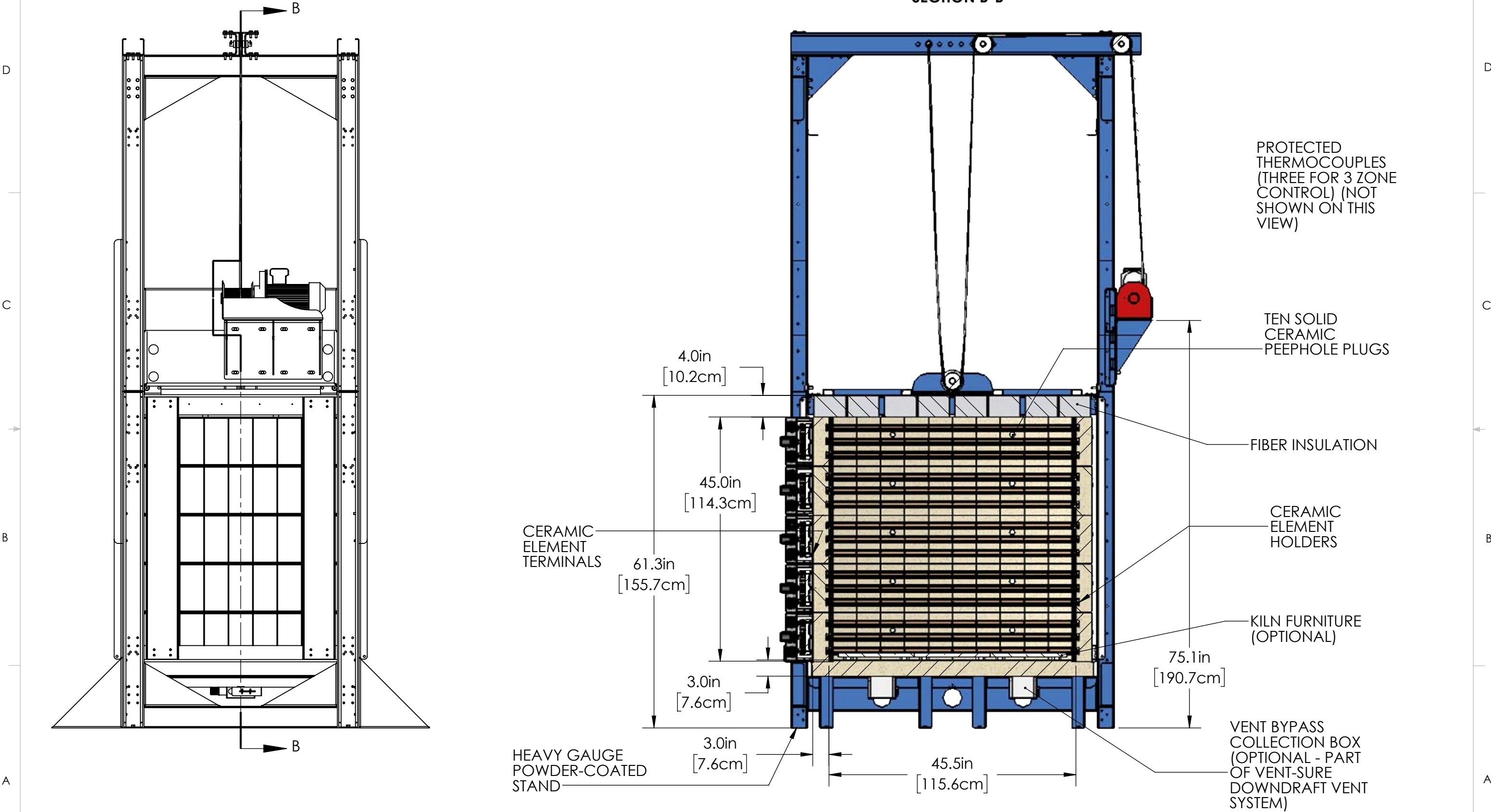
505 SHARPTOWN RD
SWEDESBORO NJ 08085
PH: (856) 294-0077
FAX: (856) 294-0070

REV 0
SHEET OF 3/4
DRAWING NO. 300-001-65

8 7 6 5 4 3 2 1

INTERIOR SECTION VIEW

SECTION B-B



OPTIONAL FURNITURE KIT: (15) 28" [71.1cm] X 14" [35.5cm] RECTANGULAR SHELVES, (18) EACH 1/2", 1", 2", 4", 6" & 8" SQUARE POSTS

THE INFORMATION CONTAINED IN THIS DRAWING IS THE SOLE PROPERTY OF L&L KILN MFG INC. ANY REPRODUCTION IN PART OR AS A WHOLE WITHOUT THE WRITTEN PERMISSION OF L&L KILN MFG INC. IS PROHIBITED.	MADE FROM NEW	DRAWN BY DSL	DATE 05/01/20	SCALE 1:17	TITLE T3445-BL (3" BRICK) DAVINCI BELL-LIFT GENERAL DIMENSIONS	 505 SHARPTOWN RD SWEDESBORO NJ 08085 PH: (856) 294-0077 FAX: (856) 294-0070	REV 0	SHEET OF 4/4	DRAWING NO. 300-001-65
---	------------------	-----------------	------------------	---------------	---	--	----------	-----------------	---------------------------

8 7 6 5 4 3 2 1