

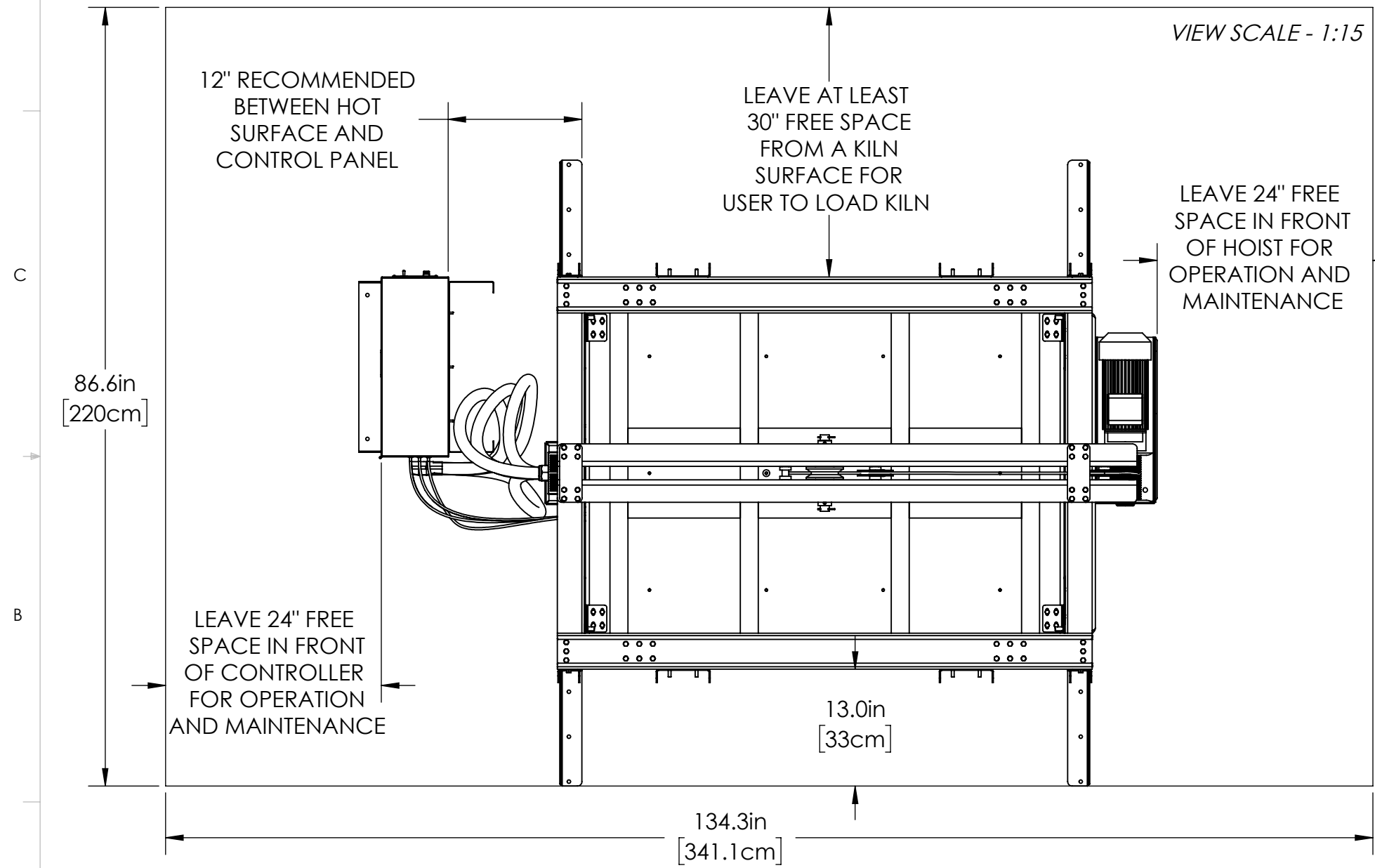
- WALL/KILN SPACING:** 12" [30.5cm] SPACING BETWEEN SIDES OF KILN AND WALLS OR OTHER OBJECTS. 18" [45.7cm] IS RECOMMENDED. LEAVE AT LEAST 18" [45.7cm] BETWEEN TWO KILNS.
- AMBIENT VENTILATION:** SEE CHART BELOW FOR RATINGS. TO CALCULATE REQUIREMENTS, SEE [hotkilns.com/calculate-kiln-room-ventilation](http://hotkilns.com/calculate-kiln-room-ventilation).
- KILN VENTILATION:** L&L VENT-SURE KILN VENT RECOMMENDED FOR SAFETY AND LONGER ELEMENT LIFE. OPTIONAL CONTROL ALLOWS VENT TO BE TURNED ON AND OFF WITH CONTROL.

- OTHER INFO:** REFER TO INSTALLATION INSTRUCTIONS AND CAUTIONS INSTRUCTIONS FOR OTHER REQUIREMENTS AND SAFETY INFORMATION. REFER TO WIRING DIAGRAM FOR ELECTRICAL HOOKUP INFORMATION.
- MAX LOAD WEIGHT:** SEE [hotkilns.com/load-weight](http://hotkilns.com/load-weight)
- WEIGHT OF KILN:** 1905 LBS, 864 KG

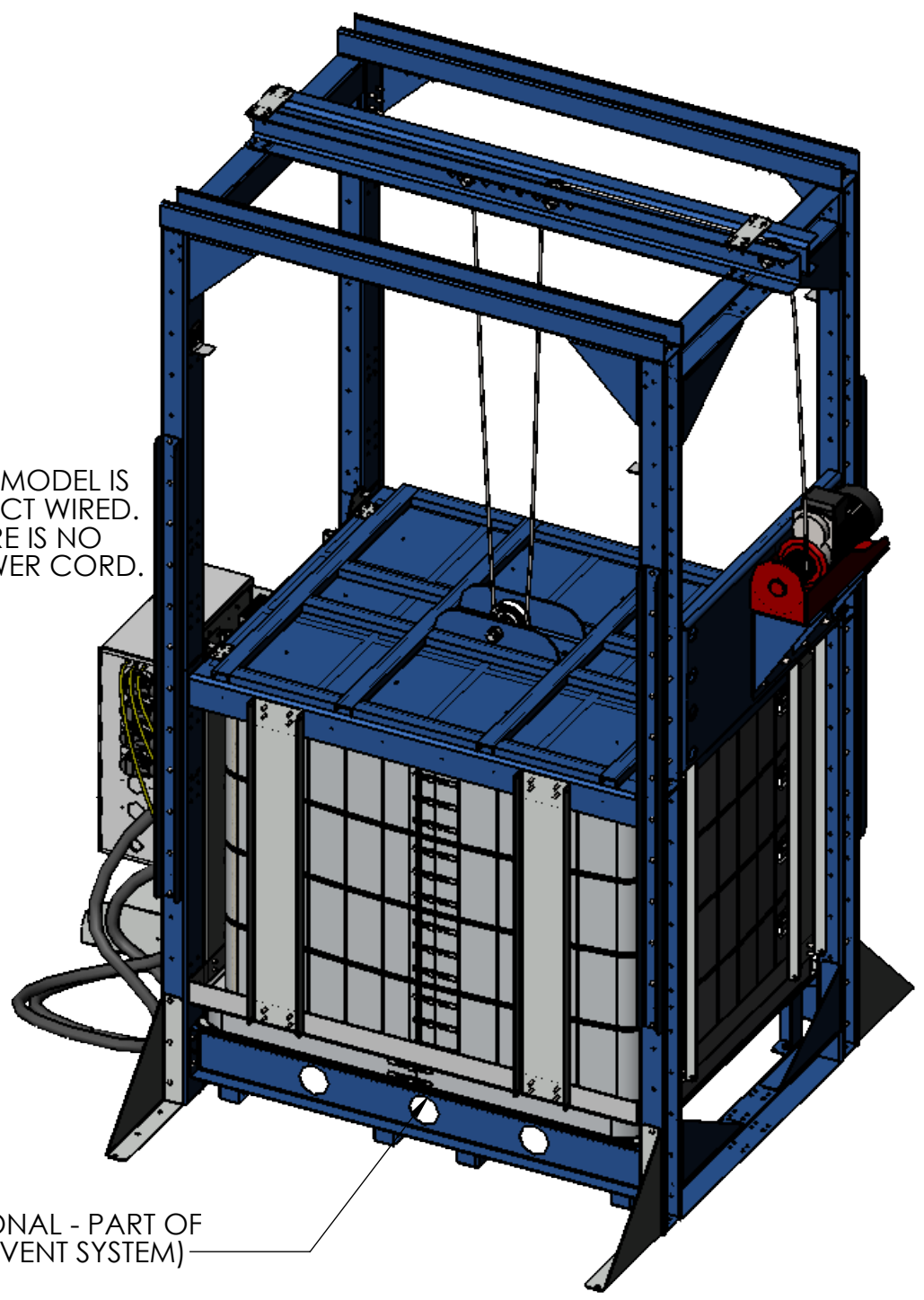
# CLEARANCES, LAYOUT & INSTALLATION

D

D



THIS MODEL IS DIRECT WIRED. THERE IS NO POWER CORD.



VENT TUBE OUTLET (OPTIONAL - PART OF VENT-SURE DOWNDRAFT VENT SYSTEM)

BTUS/ KILOJOULES PER HOUR NEEDED TO BE VENTED WITH AMBIENT ROOM VENTILATION (THIS IS IN ADDITION TO KILN VENTING):

AT TEMP F	BTUS	AT TEMP C	KILOJOULES
1800F	31832	980C	33585
2000F	37575	1095C	39644
2232F	44851	1222C	47320
2350F	48806	1285C	51493

A

A

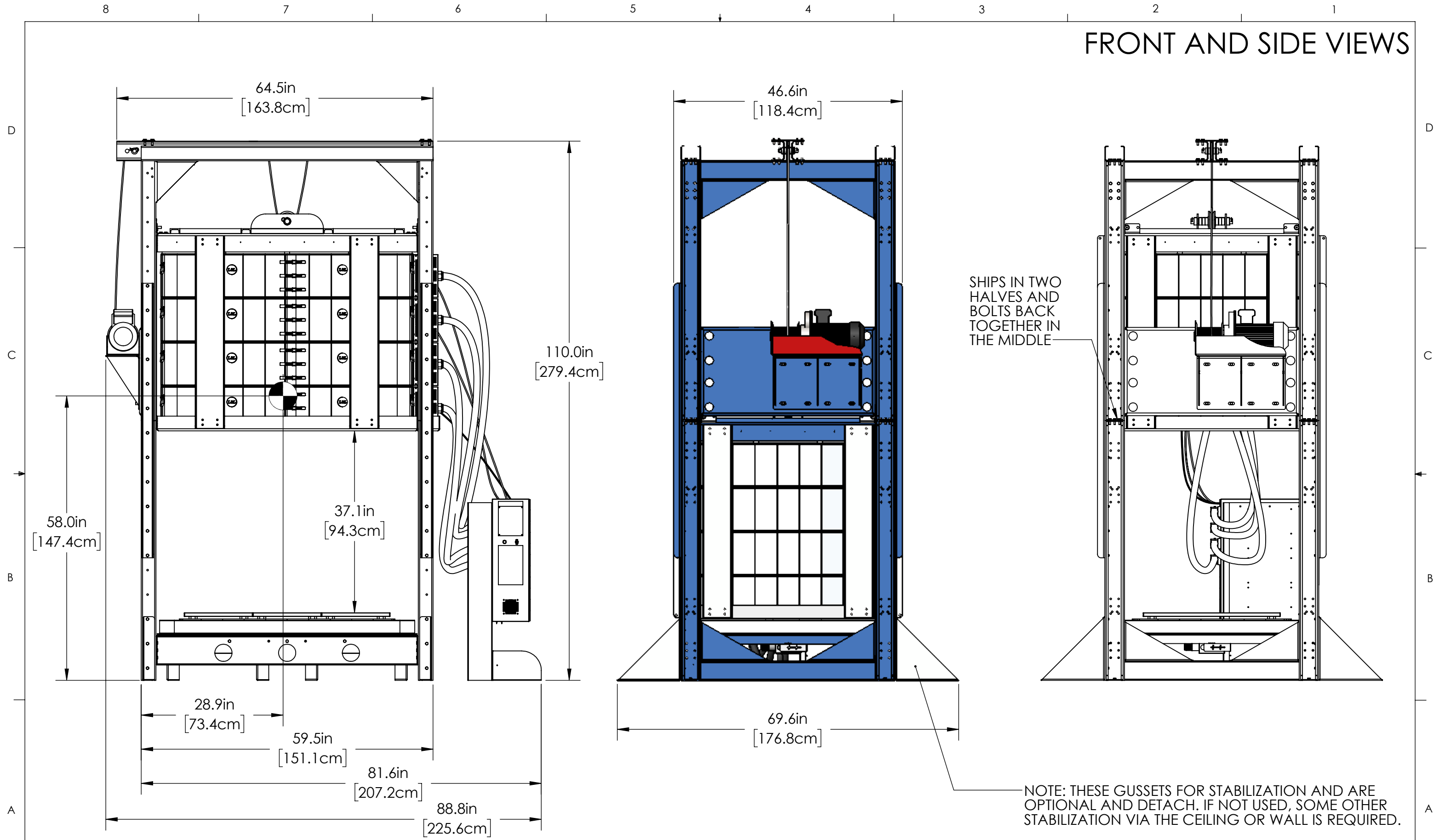
C

C

B

B

# FRONT AND SIDE VIEWS



CENTER OF MASS IS SHOWN WITH ROUND CROSS SYMBOLS. KILN COULD TIP OVER IF CENTER OF MASS BECOMES VERTICAL ABOVE ONE EDGE OF KILN BASE. THIS COULD CAUSE SERIOUS INJURY. SOME FORM OF STABILIZATION IS REQUIRED.

THE INFORMATION CONTAINED IN THIS DRAWING IS THE SOLE PROPERTY OF L&L KILN MFG INC. ANY REPRODUCTION IN PART OR AS A WHOLE WITHOUT THE WRITTEN PERMISSION OF L&L KILN MFG INC. IS PROHIBITED.

MADE FROM  
NEW

DRAWN BY  
DSL

DATE  
05/01/20

SCALE  
1:18

TITLE

T3436-BL (3" BRICK) DAVINCI BELL-LIFT GENERAL DIMENSIONS

**L&L Kilns**  
hotkilns.com

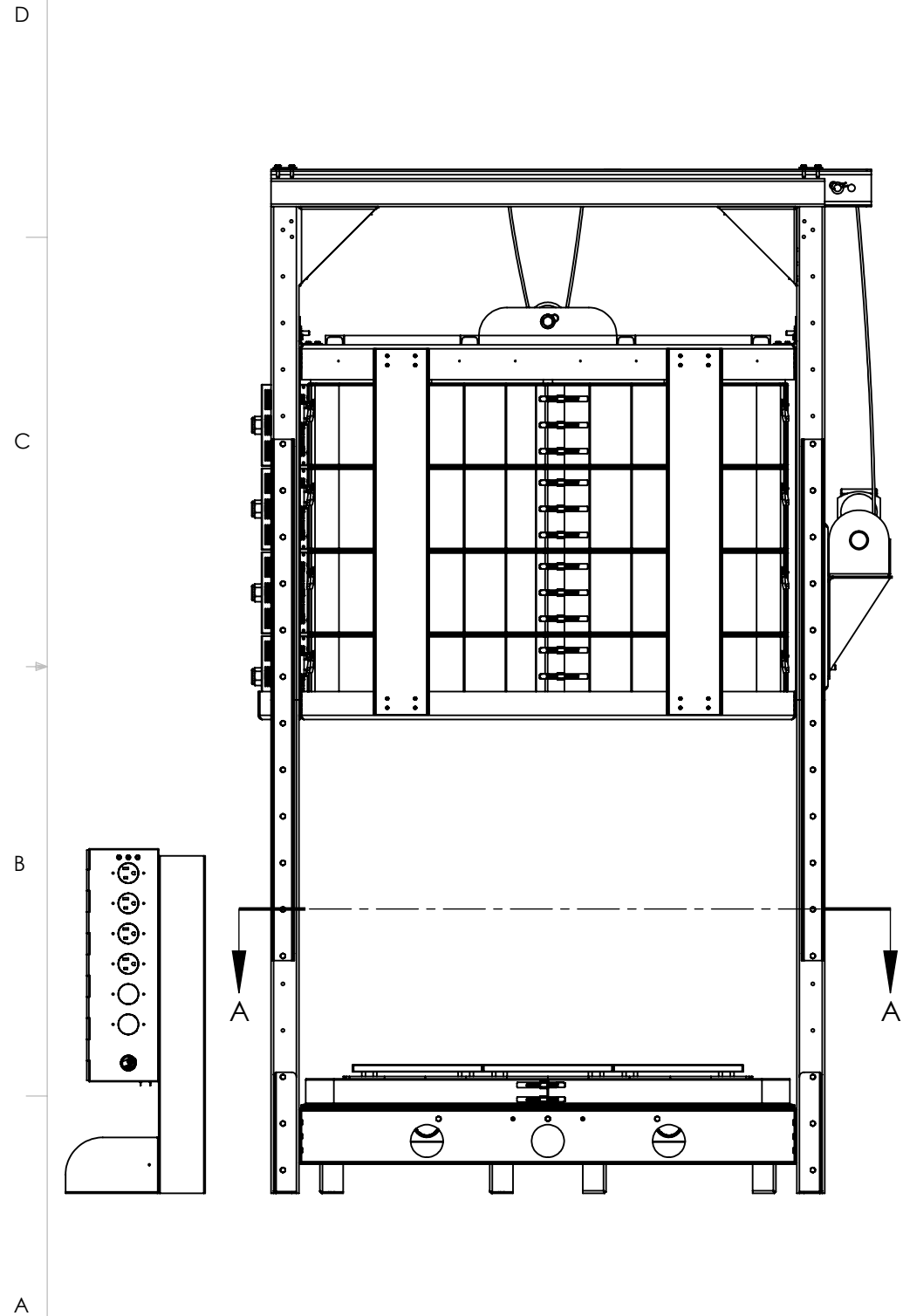
505 SHARPTOWN RD  
SWEDESBORO NJ 08085  
PH: (856) 294-0077  
FAX: (856) 294-0070

REV  
0

SHEET OF  
2/4

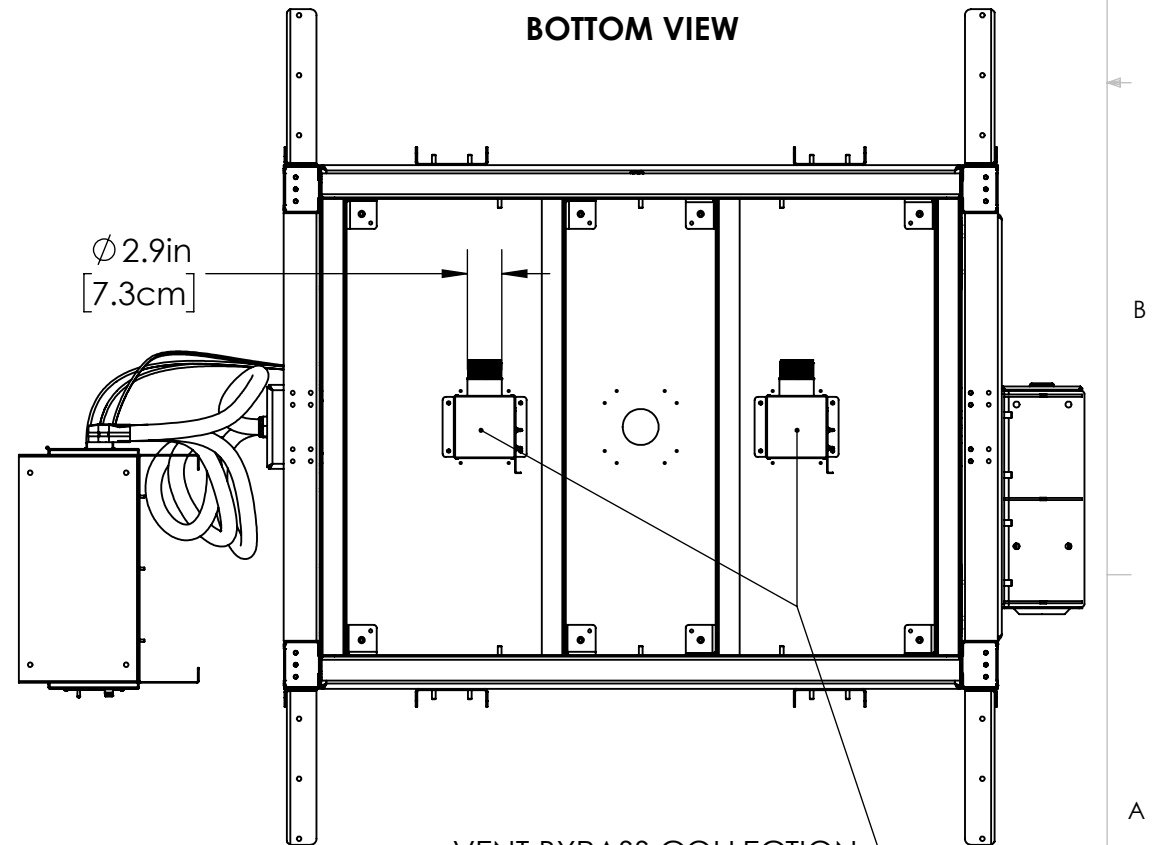
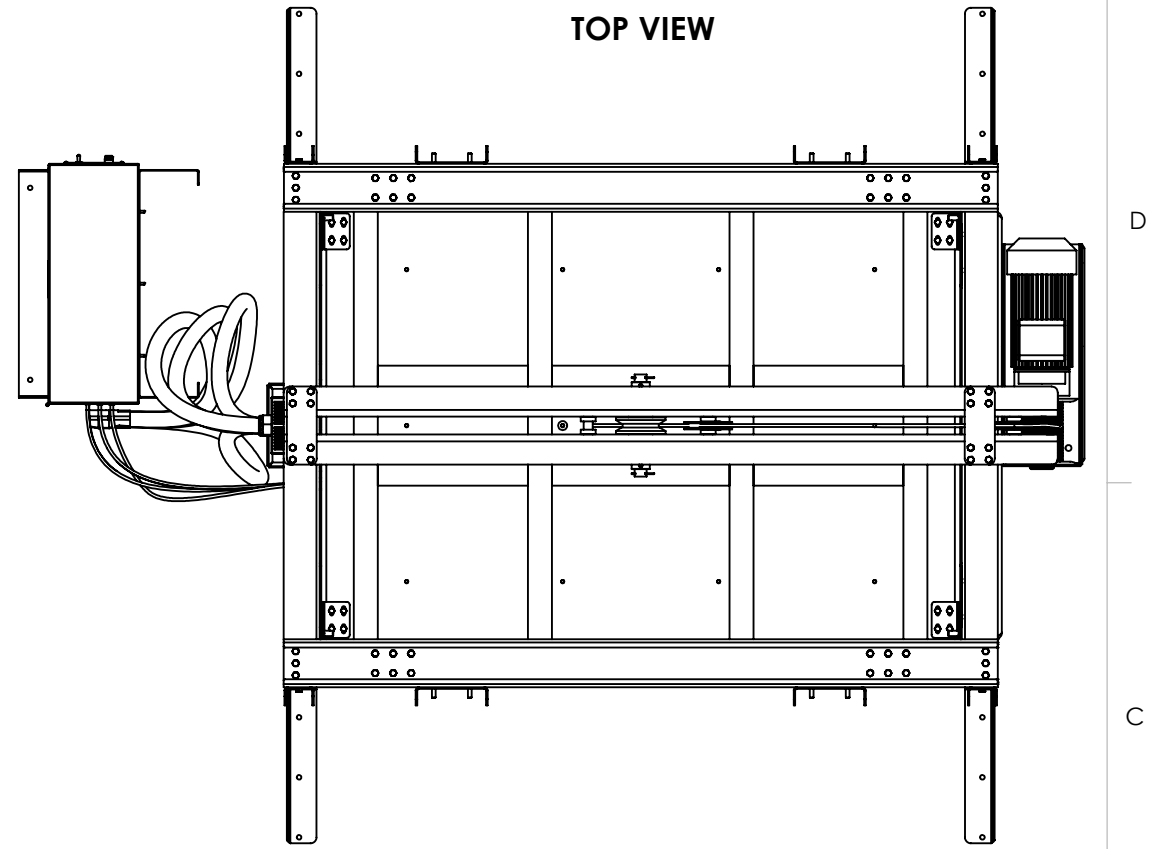
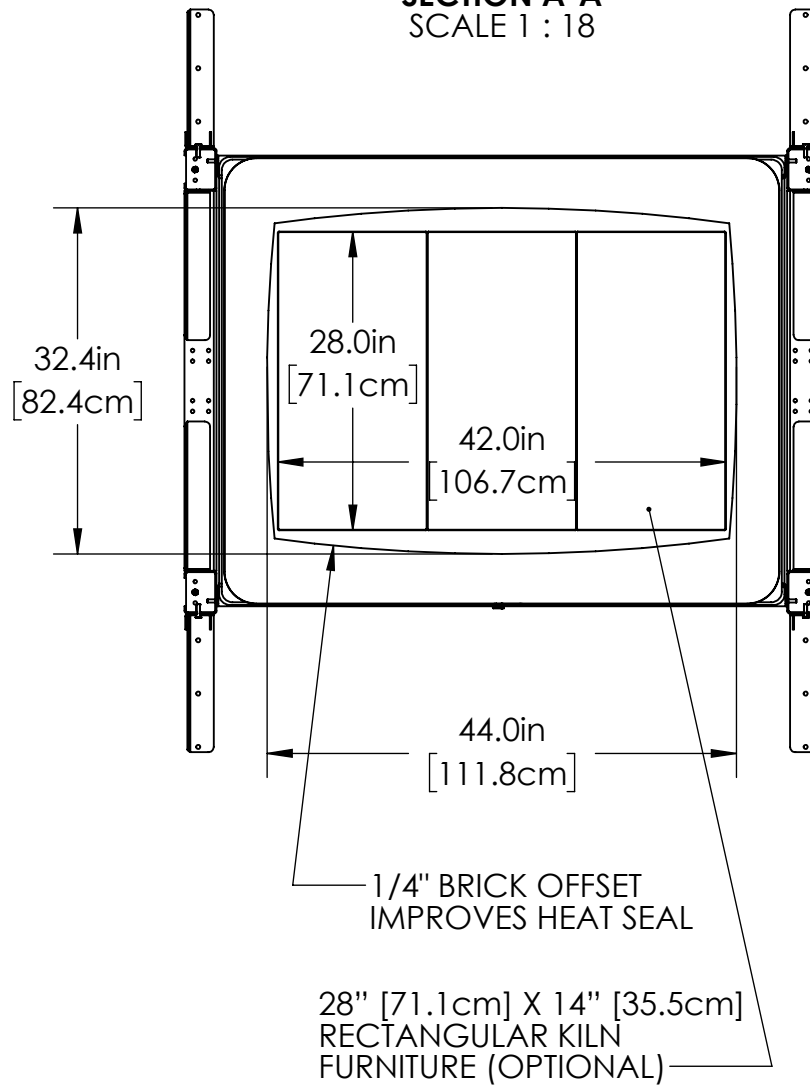
DRAWING NO.  
300-001-64

# INTERIOR SECTION VIEW, TOP & BOTTOM VIEWS



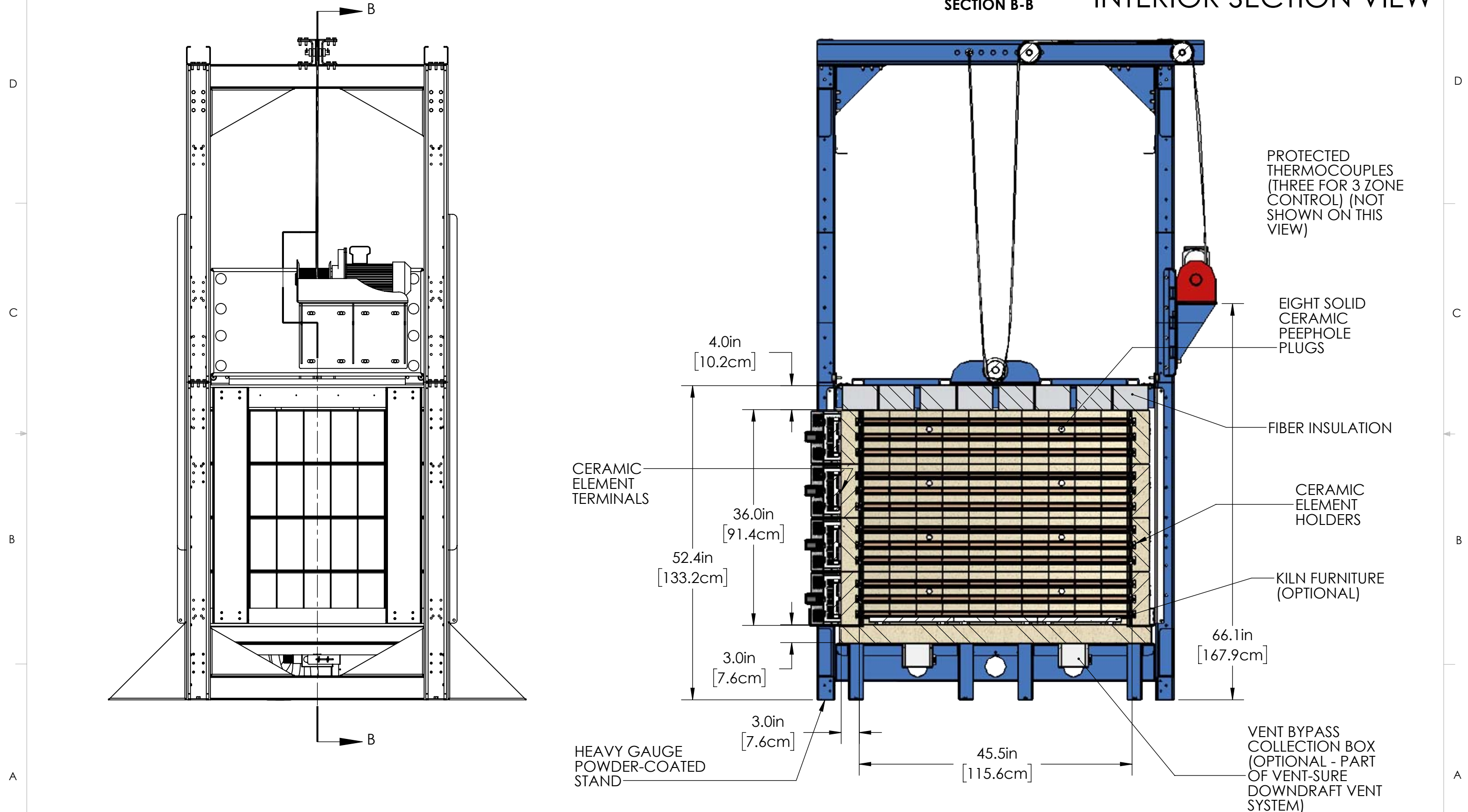
VIEW OF BRICK BOTTOM, FROM ABOVE

**SECTION A-A**  
SCALE 1 : 18



8 7 6 5 4 3 2 1

SECTION B-B INTERIOR SECTION VIEW



OPTIONAL FURNITURE KIT: (12) 28" [71.1cm] X 14" [35.5cm] RECTANGULAR SHELVES, (12) EACH 1/2", 1", 2", 4", 6" & 8" SQUARE POSTS

8 7 6 5 4 3 2 1