

- WALL/KILN SPACING:** 12" [30.5cm] SPACING BETWEEN SIDES OF KILN AND WALLS OR OTHER OBJECTS. 18" [45.7cm] IS RECOMMENDED. LEAVE AT LEAST 18" [45.7cm] BETWEEN TWO KILNS.
- AMBIENT VENTILATION:** SEE CHART BELOW FOR RATINGS. TO CALCULATE REQUIREMENTS, SEE [hotkilns.com/calculate-kiln-room-ventilation](http://hotkilns.com/calculate-kiln-room-ventilation).
- KILN VENTILATION:** L&L VENT-SURE KILN VENT RECOMMENDED FOR SAFETY AND LONGER ELEMENT LIFE. OPTIONAL CONTROL ALLOWS VENT TO BE TURNED ON AND OFF WITH CONTROL.

- OTHER INFO:** REFER TO INSTALLATION INSTRUCTIONS AND CAUTIONS INSTRUCTIONS FOR OTHER REQUIREMENTS AND SAFETY INFORMATION. REFER TO WIRING DIAGRAM FOR ELECTRICAL HOOKUP INFORMATION.
- MAX LOAD WEIGHT:** SEE [hotkilns.com/load-weight](http://hotkilns.com/load-weight)
- WEIGHT OF KILN:** 1540 LBS, 699 KG

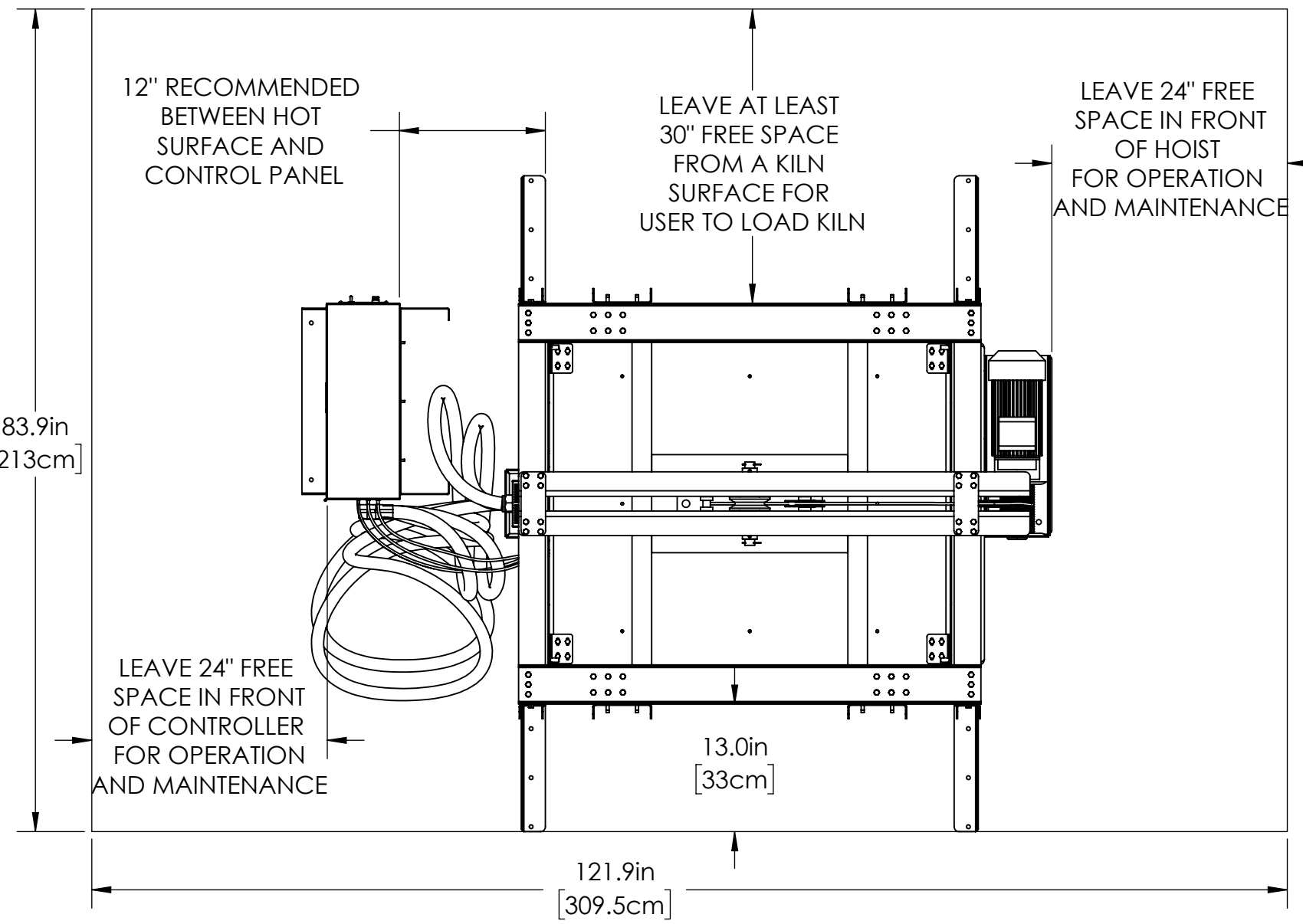
# CLEARANCES, LAYOUT & INSTALLATION

D

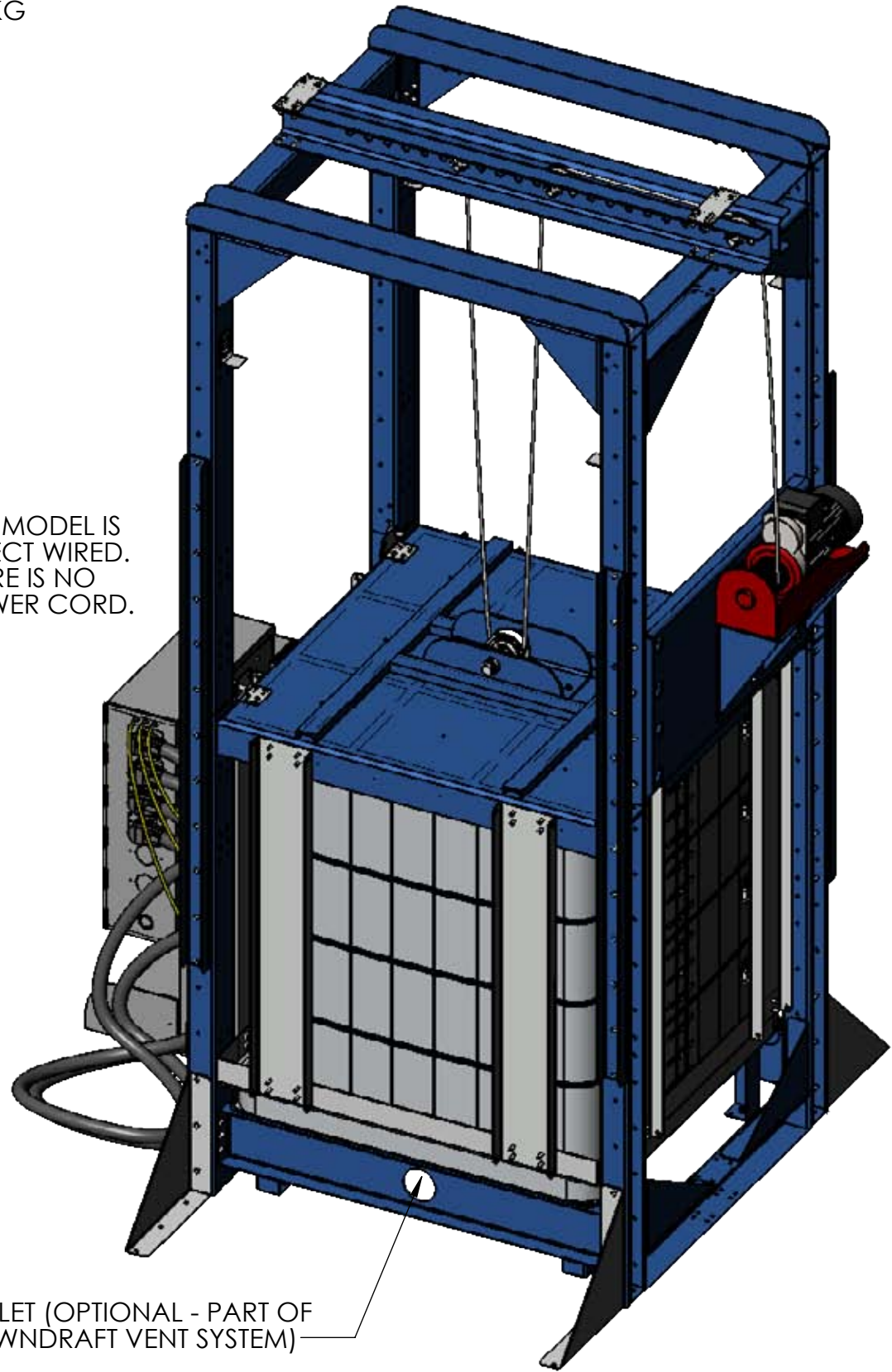
C

B

A



THIS MODEL IS DIRECT WIRED. THERE IS NO POWER CORD.



VENT TUBE OUTLET (OPTIONAL - PART OF VENT-SURE DOWNDRAFT VENT SYSTEM)

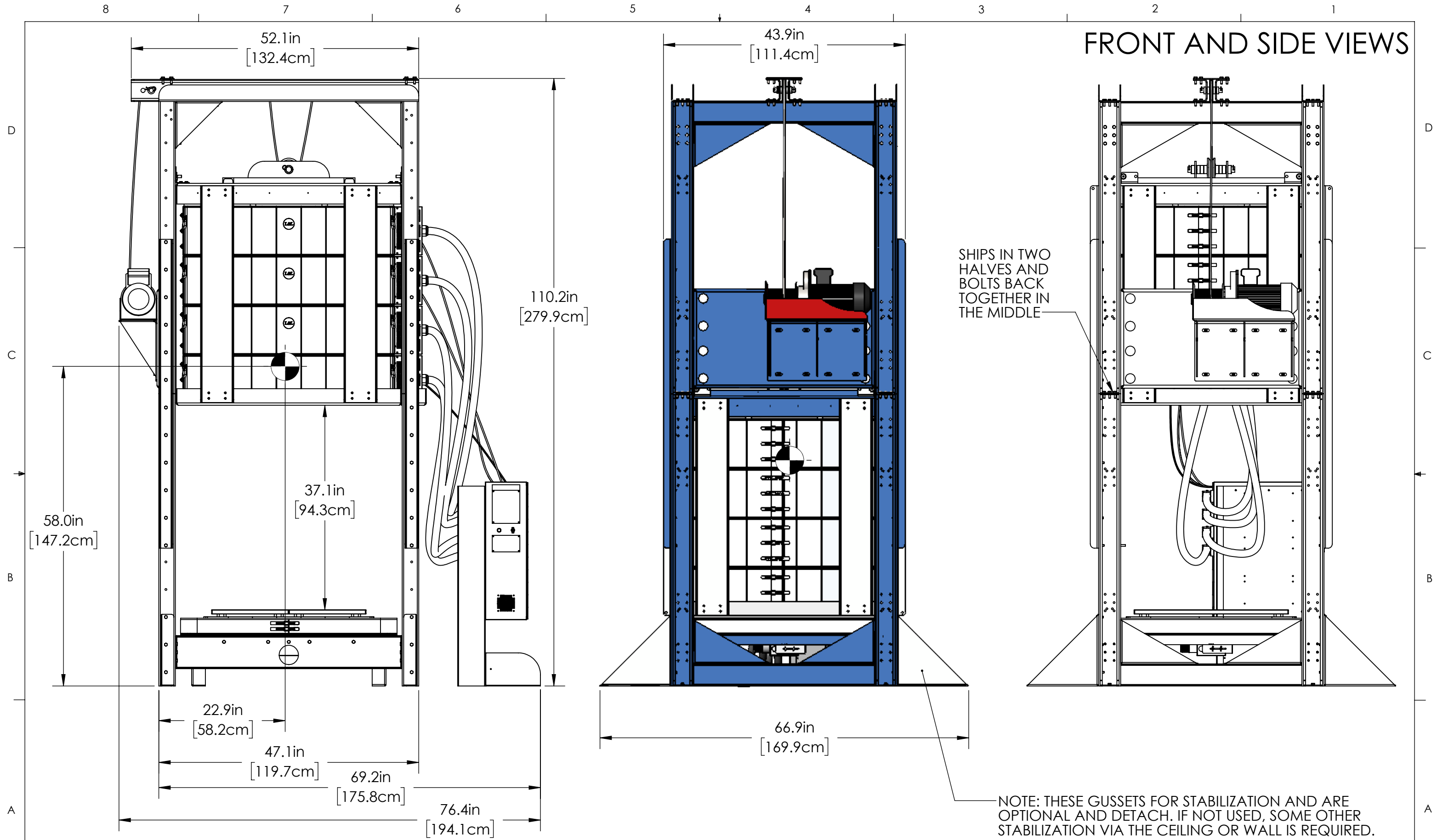
BTUS/ KILOJOULES PER HOUR NEEDED TO BE VENTED WITH AMBIENT ROOM VENTILATION (THIS IS IN ADDITION TO KILN VENTING):

AT TEMP F	BTUS	AT TEMP C	KILOJOULES
1800F	25086	980C	26468
2000F	29580	1095C	31209
2232F	35266	1222C	37207
2350F	38353	1285C	40464

THE INFORMATION CONTAINED IN THIS DRAWING IS THE SOLE PROPERTY OF L&L KILN MFG INC. ANY REPRODUCTION IN PART OR AS A WHOLE WITHOUT THE WRITTEN PERMISSION OF L&L KILN MFG INC. IS PROHIBITED.

MADE FROM NEW  
 DRAWN BY DSL  
 DATE 05/01/20  
 SCALE 1:15  
 TITLE X3236-BL (3" BRICK) DAVINCI BELL-LIFT GENERAL DIMENSIONS

**L&L Kilns**  
 hotkilns.com  
 505 SHARPTOWN RD  
 SWEDESBORO NJ 08085  
 PH: (856) 294-0077  
 FAX: (856) 294-0070  
 REV 0  
 SHEET OF 1/4  
 DRAWING NO. 300-001-44



CENTER OF MASS IS SHOWN WITH ROUND CROSS SYMBOLS. KILN COULD TIP OVER IF CENTER OF MASS BECOMES VERTICAL ABOVE ONE EDGE OF KILN BASE. THIS COULD CAUSE SERIOUS INJURY. SOME FORM OF STABILIZATION IS REQUIRED.

THE INFORMATION CONTAINED IN THIS DRAWING IS THE SOLE PROPERTY OF L&L KILN MFG INC. ANY REPRODUCTION IN PART OR AS A WHOLE WITHOUT THE WRITTEN PERMISSION OF L&L KILN MFG INC. IS PROHIBITED.

MADE FROM  
NEW

DRAWN BY  
DSL

DATE  
05/01/20

SCALE  
1:16

TITLE  
X3236-BL (3" BRICK) DAVINCI BELL-LIFT GENERAL DIMENSIONS



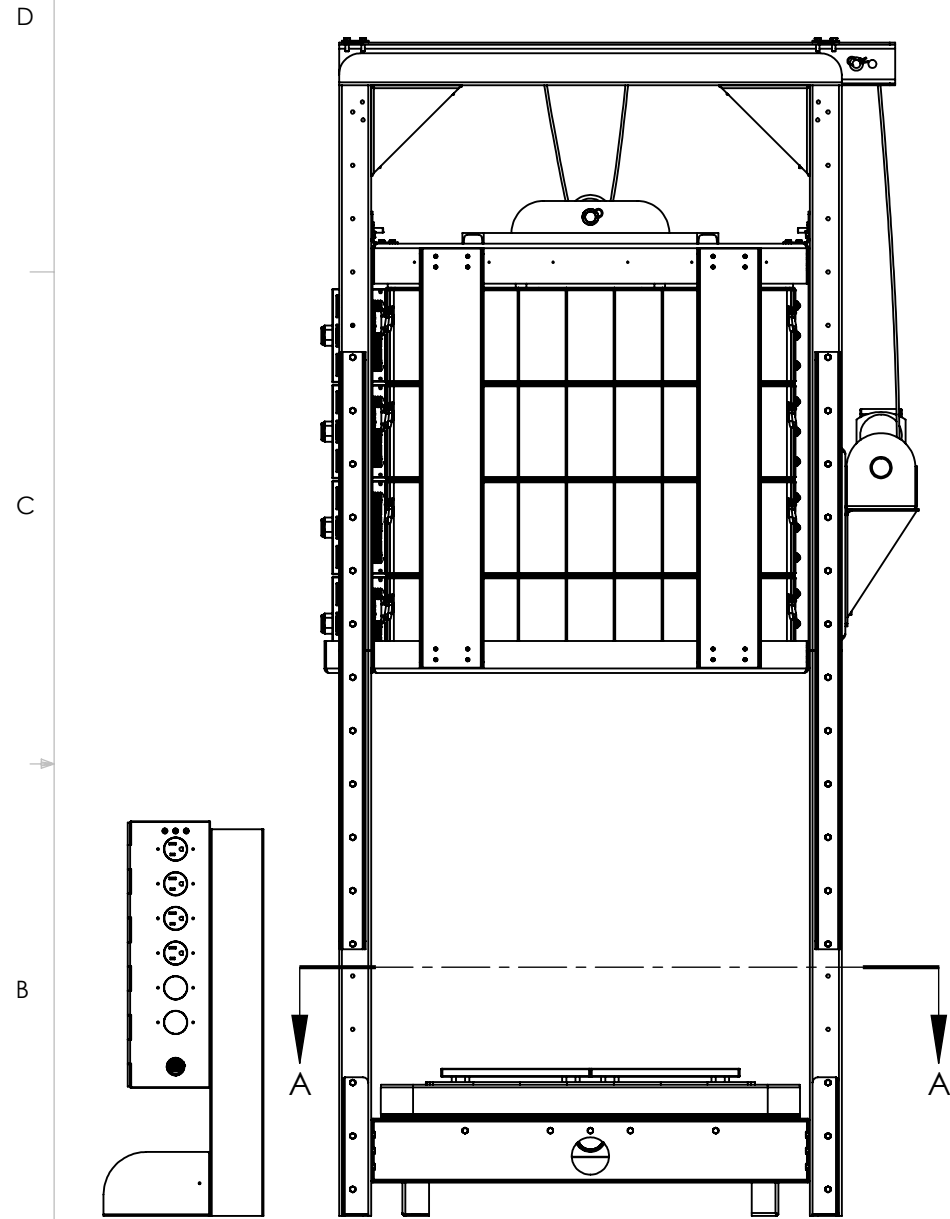
505 SHARPTOWN RD  
SWEDESBORO NJ 08085  
PH: (856) 294-0077  
FAX: (856) 294-0070

REV  
0

SHEET OF  
2/4

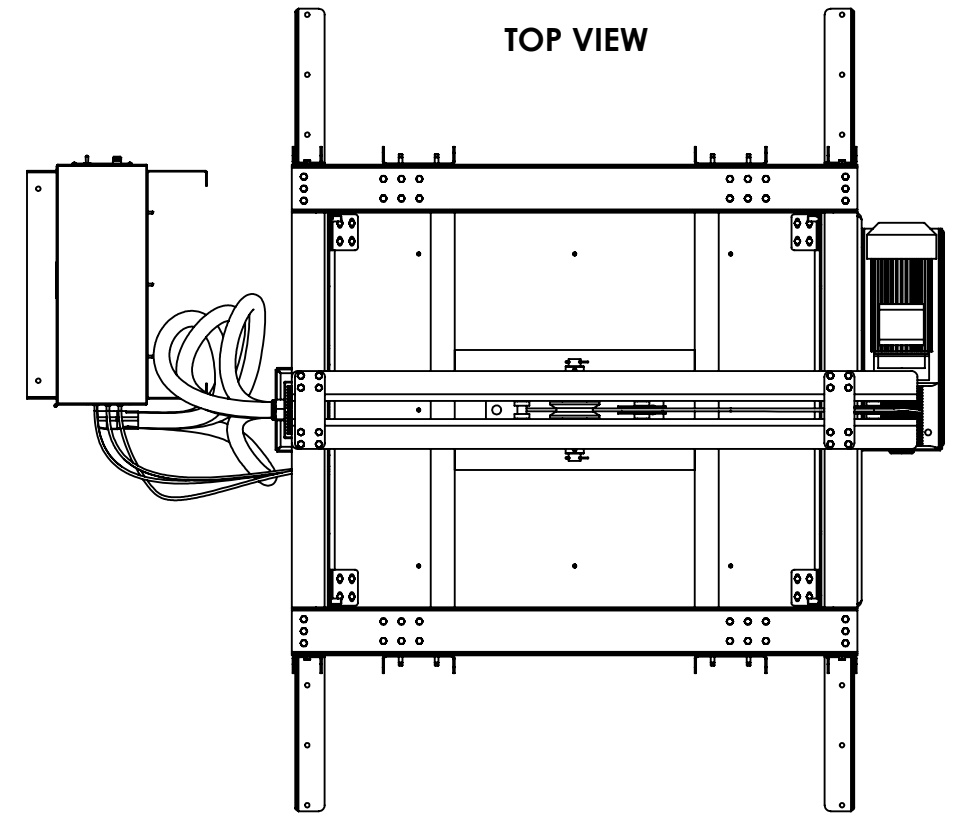
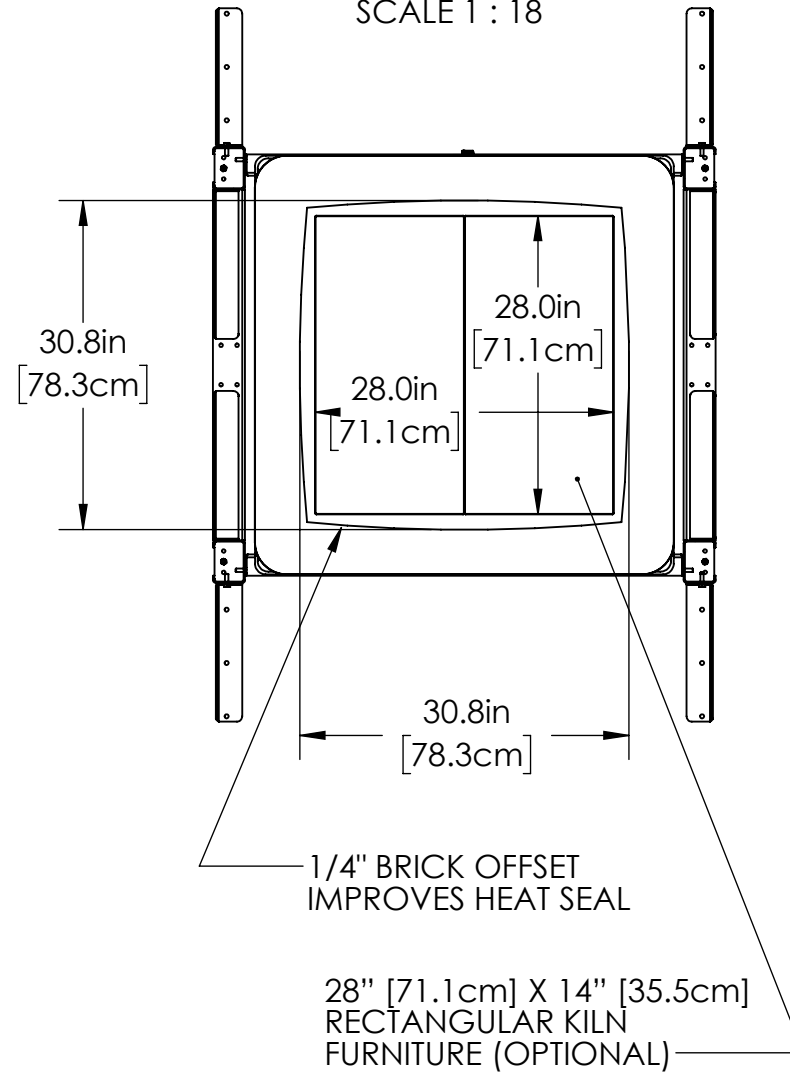
DRAWING NO.  
300-001-44

# INTERIOR SECTION VIEW, TOP & BOTTOM VIEWS

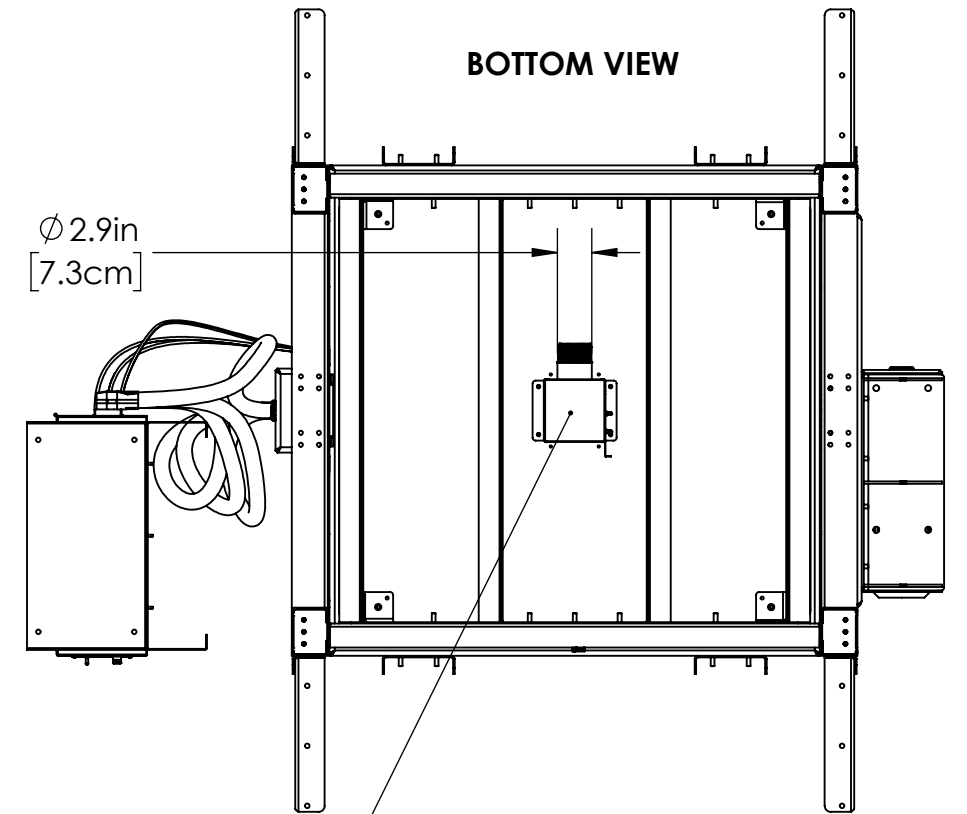


VIEW OF BRICK BOTTOM, FROM ABOVE

**SECTION A-A**  
SCALE 1 : 18

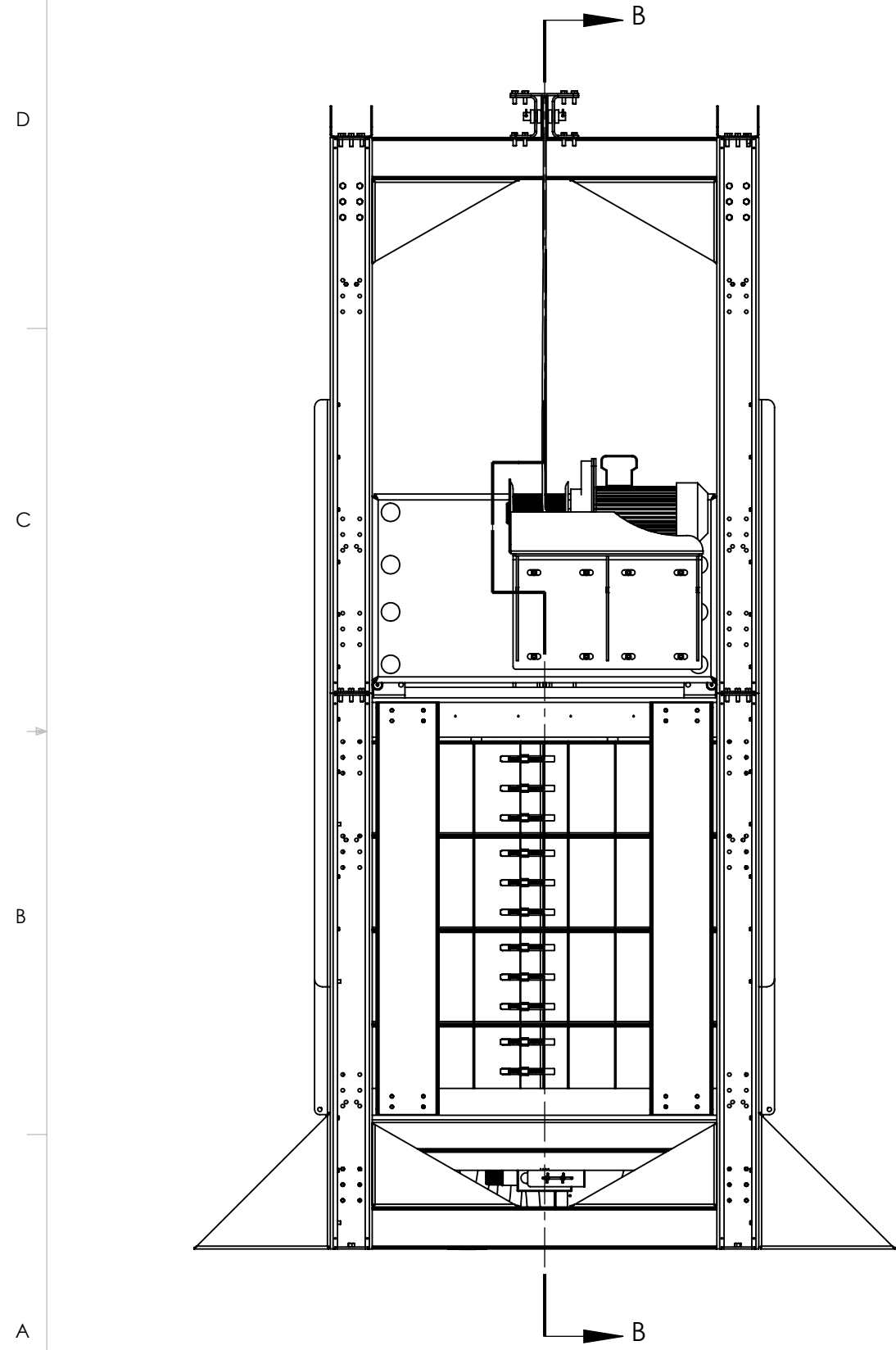


**TOP VIEW**

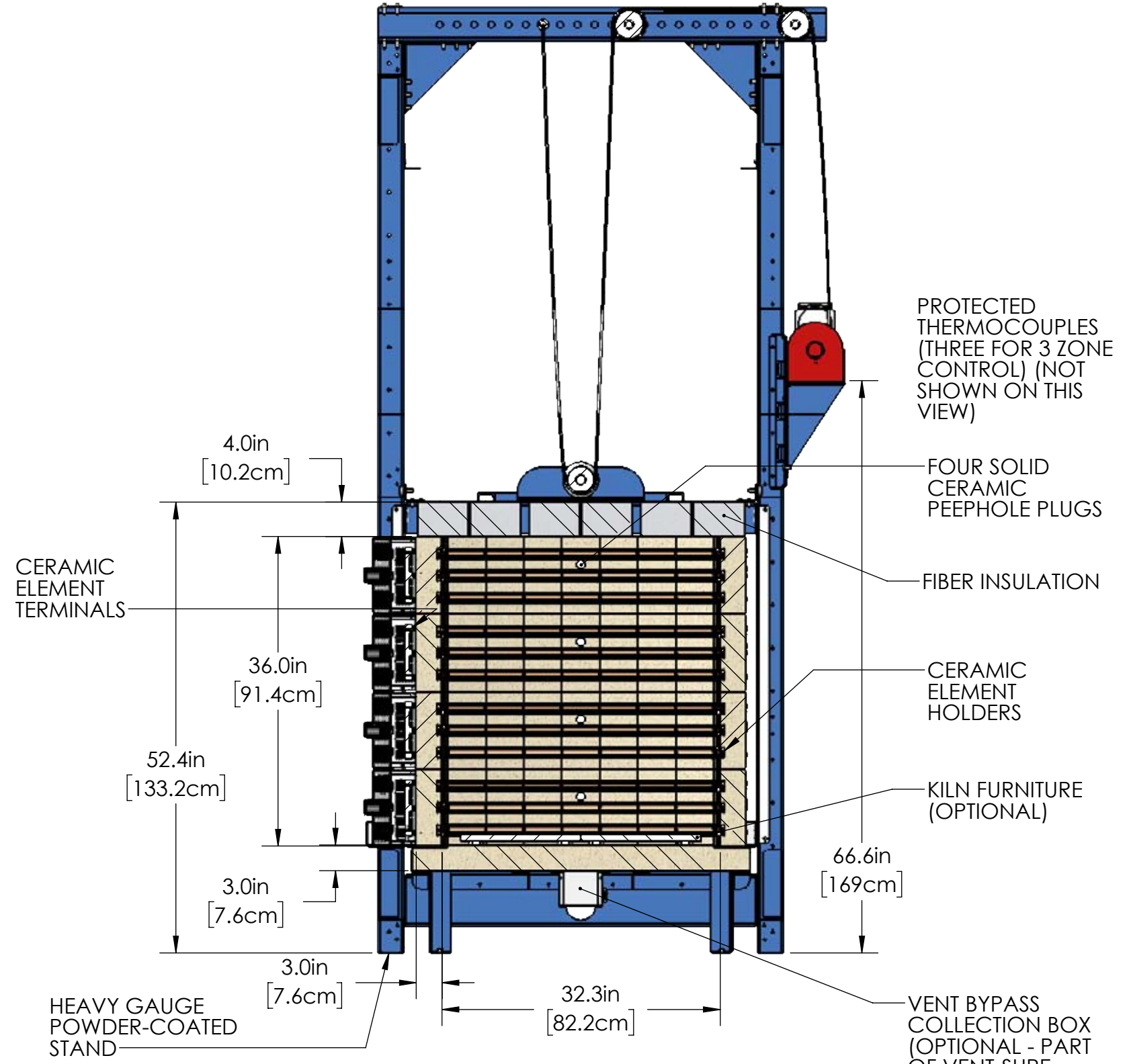


**BOTTOM VIEW**

VENT BYPASS COLLECTION  
BOX (OPTIONAL - PART OF  
VENT-SURE DOWNDRAFT  
VENT SYSTEM)



**SECTION B-B**



OPTIONAL FURNITURE KIT: (8) 28" [71.1cm] X 14" [35.5cm] RECTANGULAR SHELVES, (12) EACH 1/2", 1", 2", 4", 6" & 8" SQUARE POSTS

THE INFORMATION CONTAINED IN THIS DRAWING IS THE SOLE PROPERTY OF L&L KILN MFG INC. ANY REPRODUCTION IN PART OR AS A WHOLE WITHOUT THE WRITTEN PERMISSION OF L&L KILN MFG INC. IS PROHIBITED.

MADE FROM NEW	DRAWN BY DSL	DATE 05/01/20	SCALE 1:15	TITLE X3236-BL (3" BRICK) DAVINCI BELL-LIFT GENERAL DIMENSIONS
------------------	-----------------	------------------	---------------	---

	505 SHARPTOWN RD SWEDESBORO NJ 08085 PH: (856) 294-0077 FAX: (856) 294-0070	REV <b>0</b>	SHEET OF <b>4/4</b>	DRAWING NO. <b>300-001-44</b>
--	--	-----------------	------------------------	----------------------------------