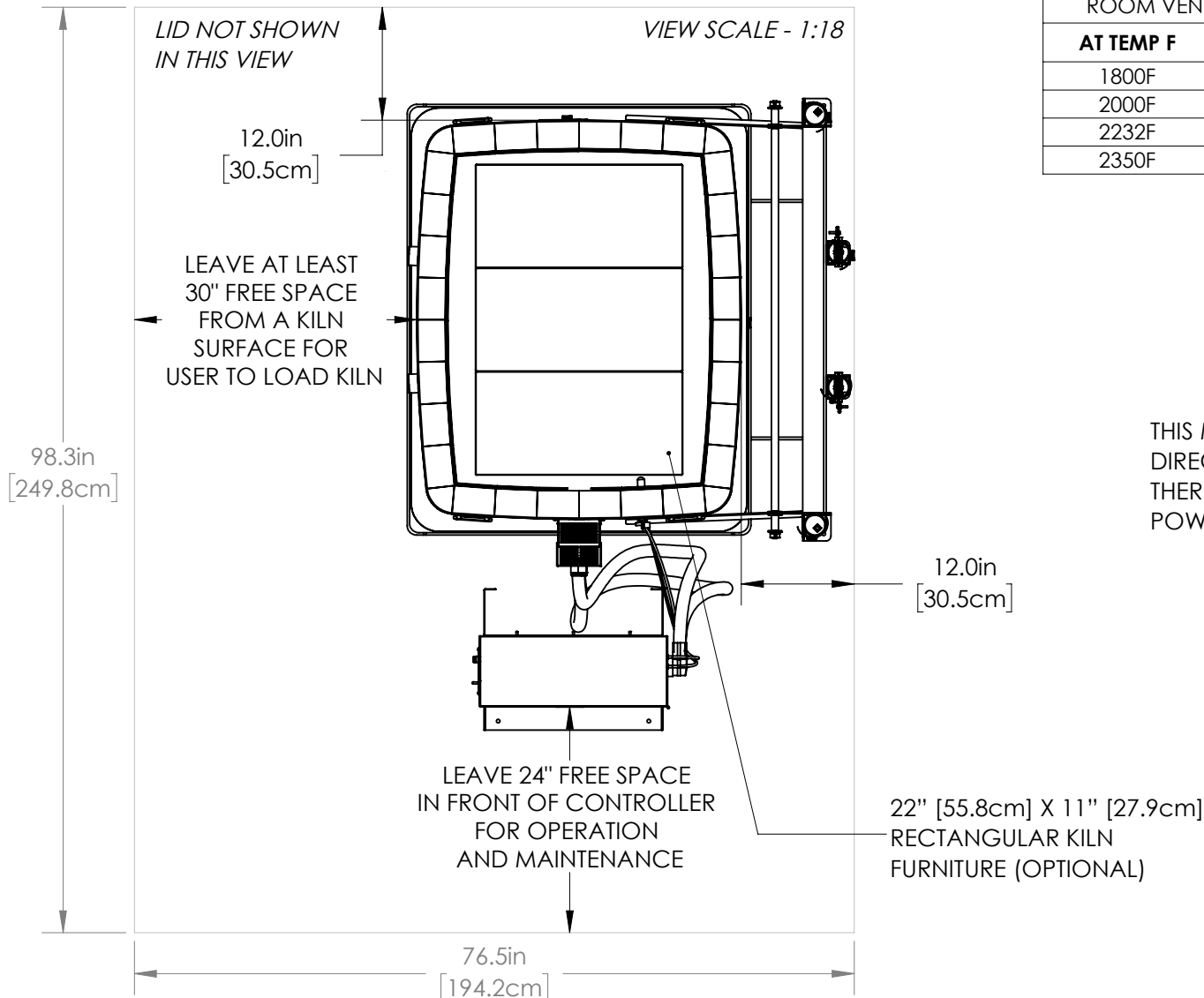


- WALL/KILN SPACING:** 12" [30.5cm] SPACING BETWEEN SIDES OF KILN AND WALLS OR OTHER OBJECTS. 18" [45.7cm] IS RECOMMENDED. LEAVE AT LEAST 18" [45.7cm] BETWEEN TWO KILNS.
- AMBIENT VENTILATION:** SEE CHART TO RIGHT FOR RATINGS. TO CALCULATE REQUIREMENTS, SEE hotkilns.com/calculate-kiln-room-ventilation.
- KILN VENTILATION:** L&L VENT-SURE KILN VENT RECOMMENDED FOR SAFETY AND LONGER ELEMENT LIFE. OPTIONAL CONTROL ALLOWS VENT TO BE TURNED ON AND OFF WITH CONTROL.

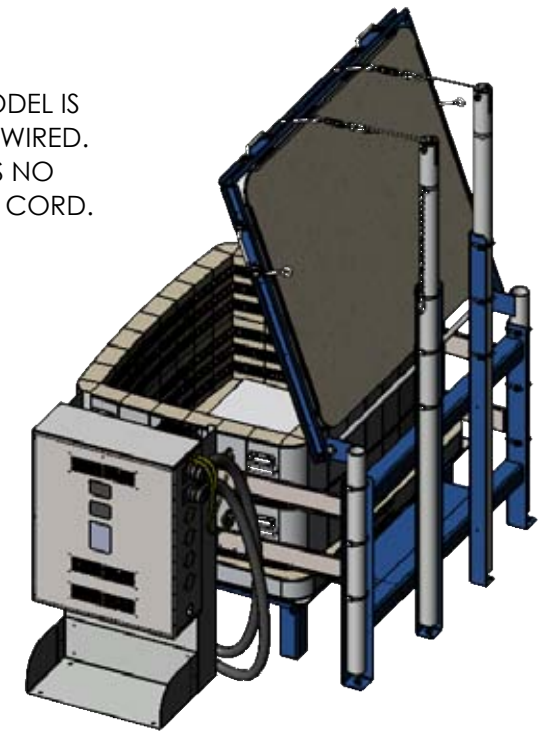
- OTHER INFO:** REFER TO INSTALLATION INSTRUCTIONS AND CAUTIONS INSTRUCTIONS FOR OTHER REQUIREMENTS AND SAFETY INFORMATION. REFER TO WIRING DIAGRAM FOR ELECTRICAL HOOKUP INFORMATION.
- MAX LOAD WEIGHT:** SEE hotkilns.com/load-weight.
- WEIGHT OF KILN:** 755 LBS, 342 KG

BTUS/ KILOJOULES PER HOUR NEEDED TO BE VENTED WITH AMBIENT ROOM VENTILATION (THIS IS IN ADDITION TO KILN VENTING):

| AT TEMP F | BTUS | AT TEMP C | KILOJOULES |
|-----------|-------|-----------|------------|
| 1800F | 16974 | 980C | 17909 |
| 2000F | 19845 | 1095C | 20938 |
| 2232F | 23434 | 1222C | 24725 |
| 2350F | 25365 | 1285C | 26761 |



THIS MODEL IS DIRECT WIRED. THERE IS NO POWER CORD.



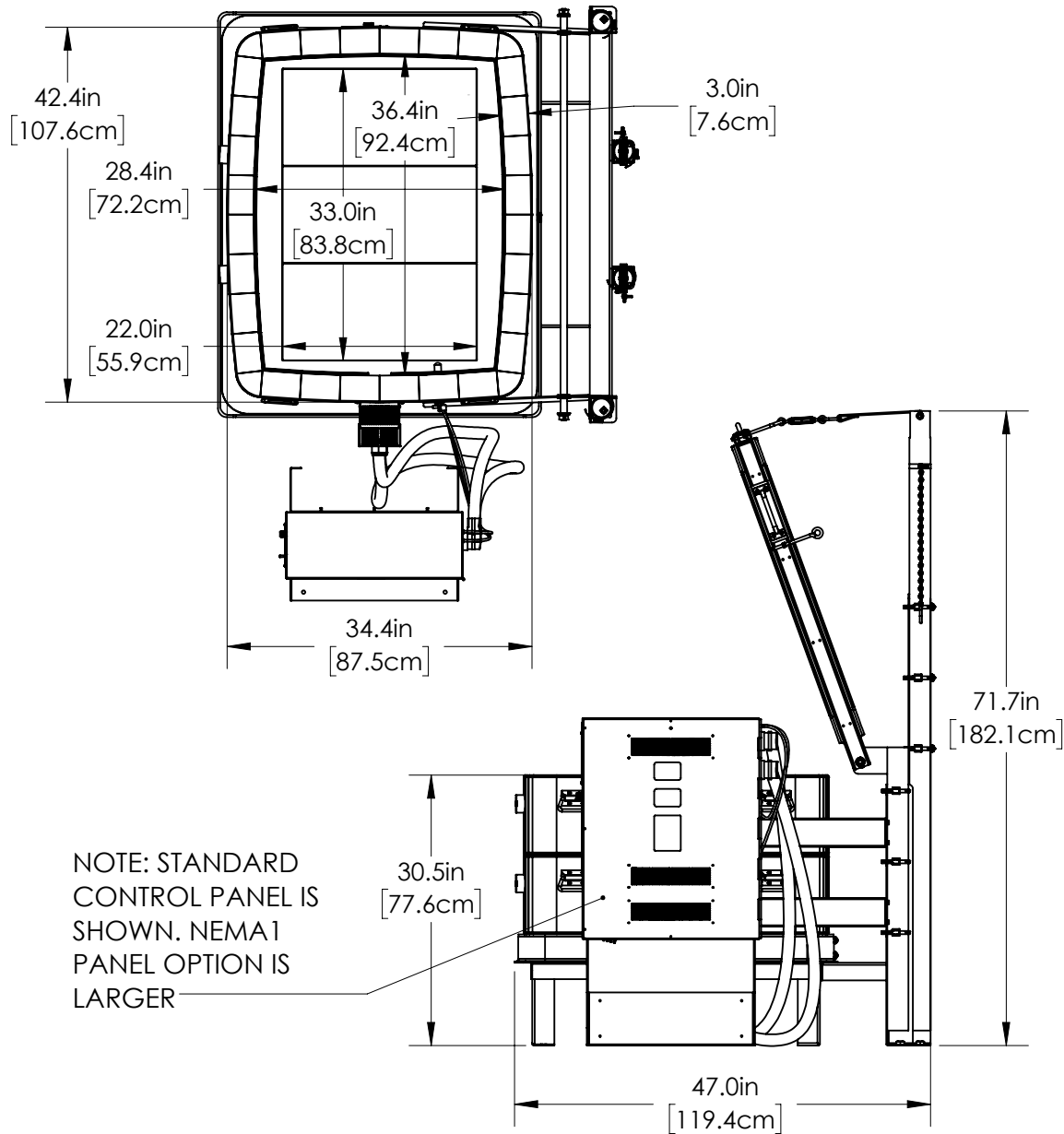
MADE FROM NEW
 DRAWN BY SJL
 DATE 04/15/20
 SCALE 1:24
 TITLE TB2318-D (3" BRICK) DAVINCI GENERAL DIMENSIONS



505 SHARPTOWN RD
 SWEDESBORO NJ 08085
 PH: (856) 294-0077
 FAX: (856) 294-0070

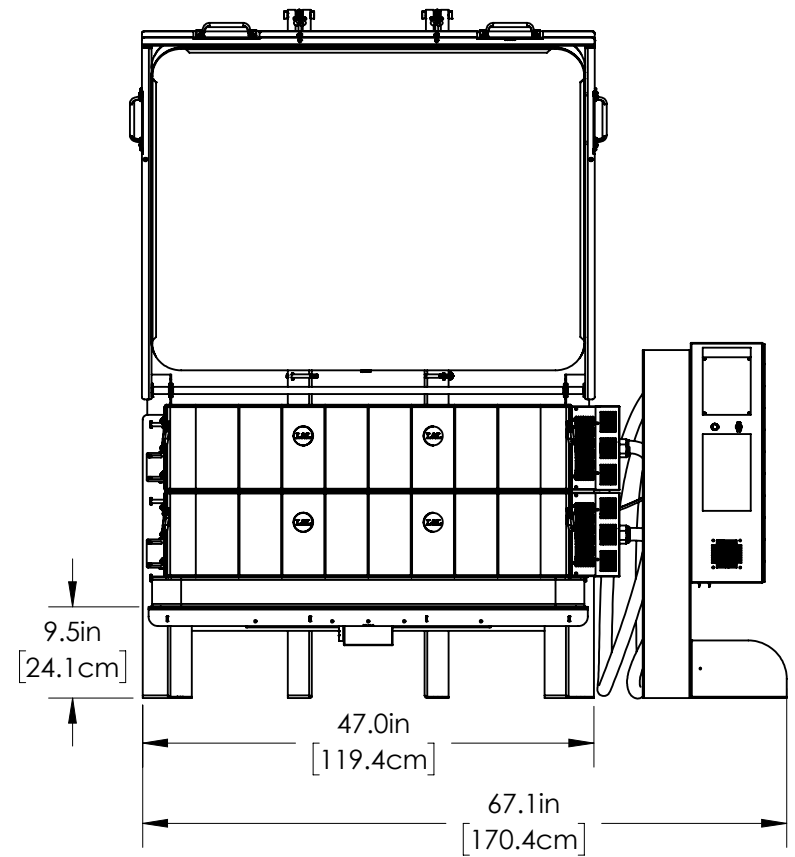
REV 0
 SHEET OF 1/3
 DRAWING NO. 300-000-50-2

LID NOT SHOWN
IN THIS VIEW

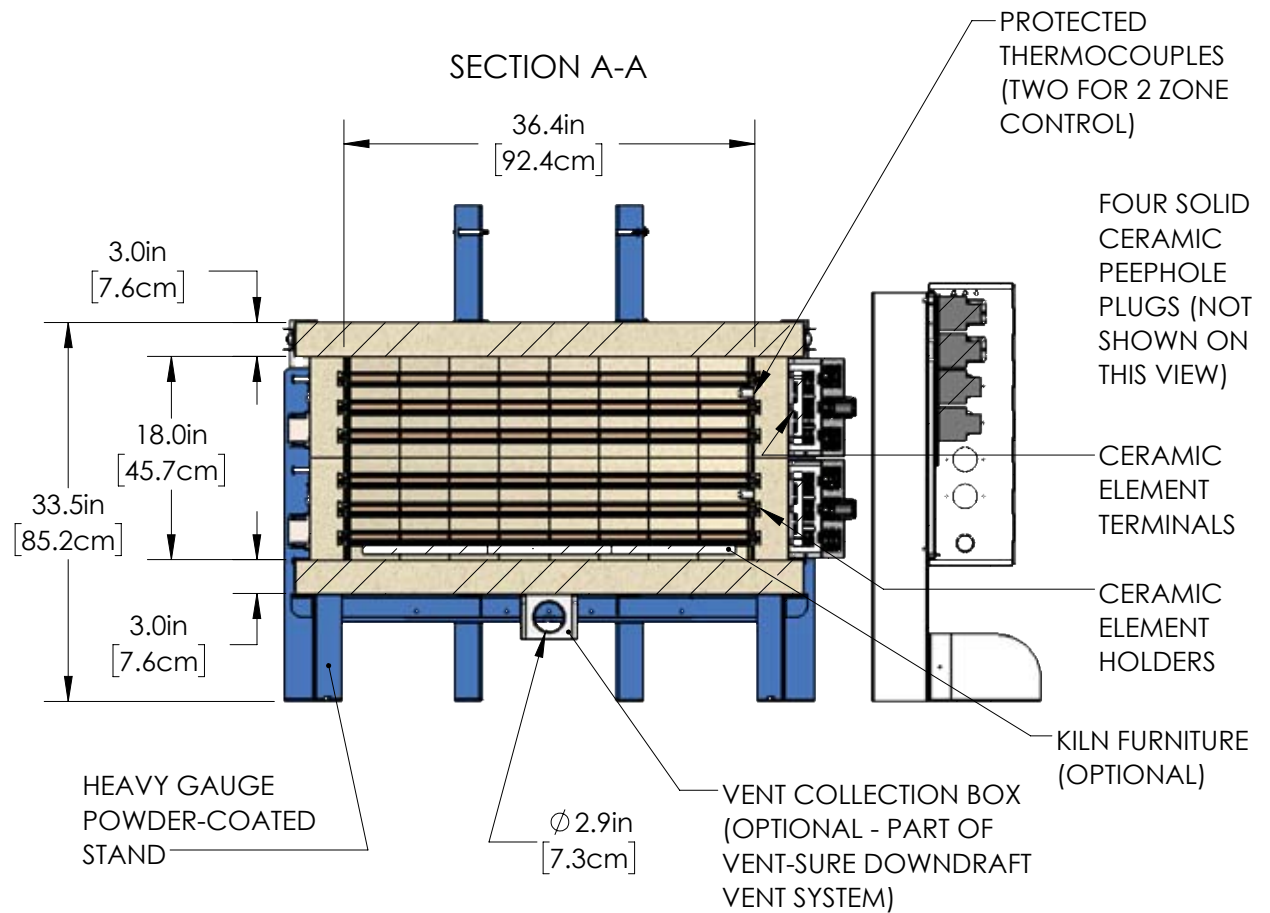
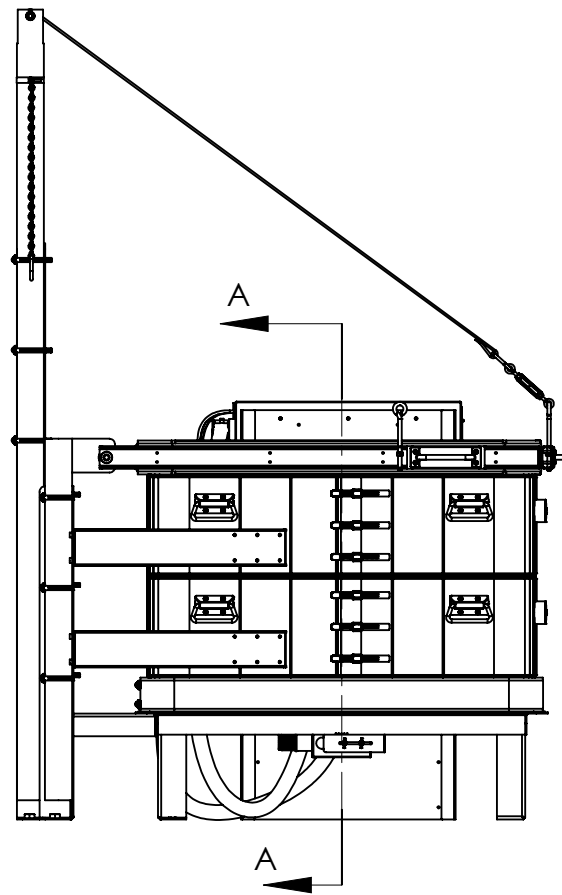


EXPANDABILITY: THIS MODEL CAN BE EXPANDED TO A T2327 BY ADDING ONE SECTION AND ADDING CORRESPONDING CIRCUITS IN THE CONTROL PANEL.

NOTE: STANDARD CONTROL PANEL IS SHOWN. NEMA 1 PANEL OPTION IS LARGER



| | | | | | | | | | |
|------------------|-----------------|------------------|---------------|---|-------------------------------|--|----------|-----------------|-----------------------------|
| MADE FROM NEW | DRAWN BY SJL | DATE 04/15/20 | SCALE 1:20 | TITLE TB2318-D (3" BRICK) DAVINCI GENERAL DIMENSIONS | LKilns hotkilns.com | 505 SHARPTOWN RD SWEDESBORO NJ 08085 PH: (856) 294-0077 FAX: (856) 294-0070 | REV 0 | SHEET OF 2/3 | DRAWING NO. 300-000-50-2 |
|------------------|-----------------|------------------|---------------|---|-------------------------------|--|----------|-----------------|-----------------------------|



OPTIONAL FURNITURE KIT: (6) 22" [55.8cm] X 11" [27.9cm] RECTANGULAR SHELVES, (6) EACH 1/2", 1", 2", 4", 6" & 8" SQUARE POSTS

| | | | | | | | | | |
|------------------|-----------------|------------------|---------------|---|-------------------------------|--|----------|-----------------|-----------------------------|
| MADE FROM NEW | DRAWN BY SJL | DATE 04/15/20 | SCALE 1:17 | TITLE TB2318-D (3" BRICK) DAVINCI GENERAL DIMENSIONS | LKilns hotkilns.com | 505 SHARPTOWN RD SWEDESBORO NJ 08085 PH: (856) 294-0077 FAX: (856) 294-0070 | REV 0 | SHEET OF 3/3 | DRAWING NO. 300-000-50-2 |
|------------------|-----------------|------------------|---------------|---|-------------------------------|--|----------|-----------------|-----------------------------|