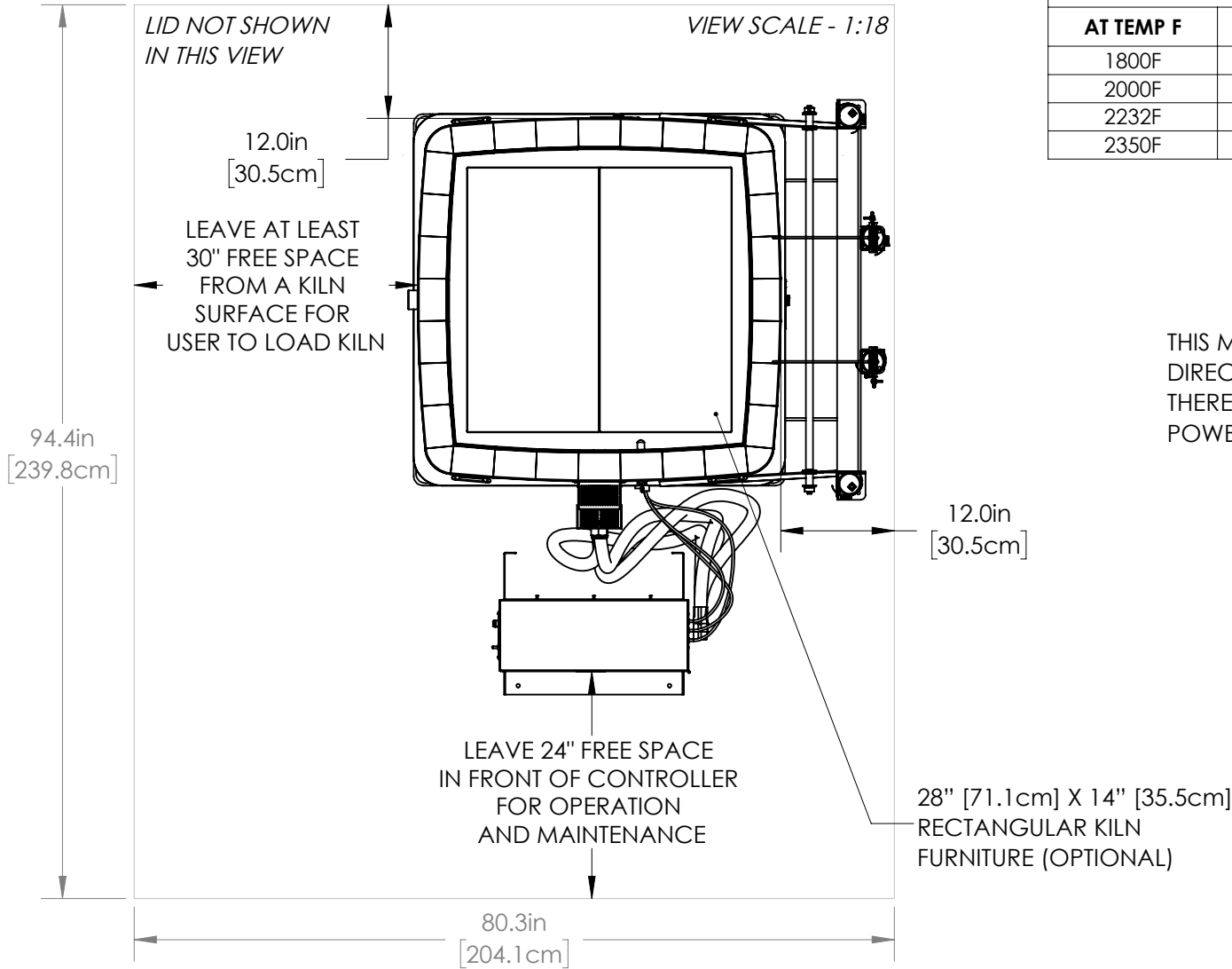


- 1. WALL/KILN SPACING:** 12" [30.5cm] SPACING BETWEEN SIDES OF KILN AND WALLS OR OTHER OBJECTS. 18" [45.7cm] IS RECOMMENDED. LEAVE AT LEAST 18" [45.7cm] BETWEEN TWO KILNS.
- 2. AMBIENT VENTILATION:** SEE CHART TO RIGHT FOR RATINGS. TO CALCULATE REQUIREMENTS, SEE hotkilns.com/calculate-kiln-room-ventilation.
- 3. KILN VENTILATION:** L&L VENT-SURE KILN VENT RECOMMENDED FOR SAFETY AND LONGER ELEMENT LIFE. OPTIONAL CONTROL ALLOWS VENT TO BE TURNED ON AND OFF WITH CONTROL.

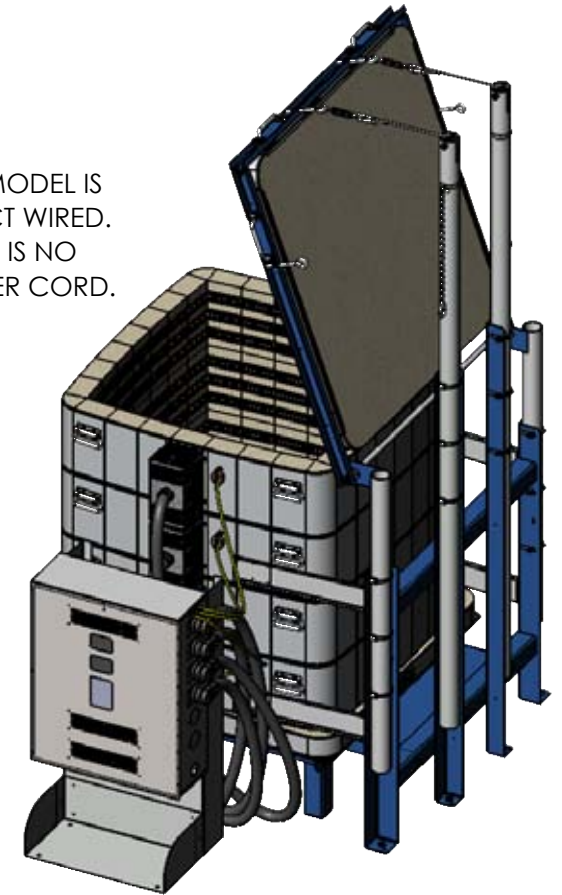
- 4. OTHER INFO:** REFER TO INSTALLATION INSTRUCTIONS AND CAUTIONS INSTRUCTIONS FOR OTHER REQUIREMENTS AND SAFETY INFORMATION. REFER TO WIRING DIAGRAM FOR ELECTRICAL HOOKUP INFORMATION.
- 5. MAX LOAD WEIGHT:** SEE hotkilns.com/load-weight.
- 6. WEIGHT OF KILN:** 970 LBS, 440 KG

BTUS/ KILOJOULES PER HOUR NEEDED TO BE VENTED WITH AMBIENT ROOM VENTILATION (THIS IS IN ADDITION TO KILN VENTING):

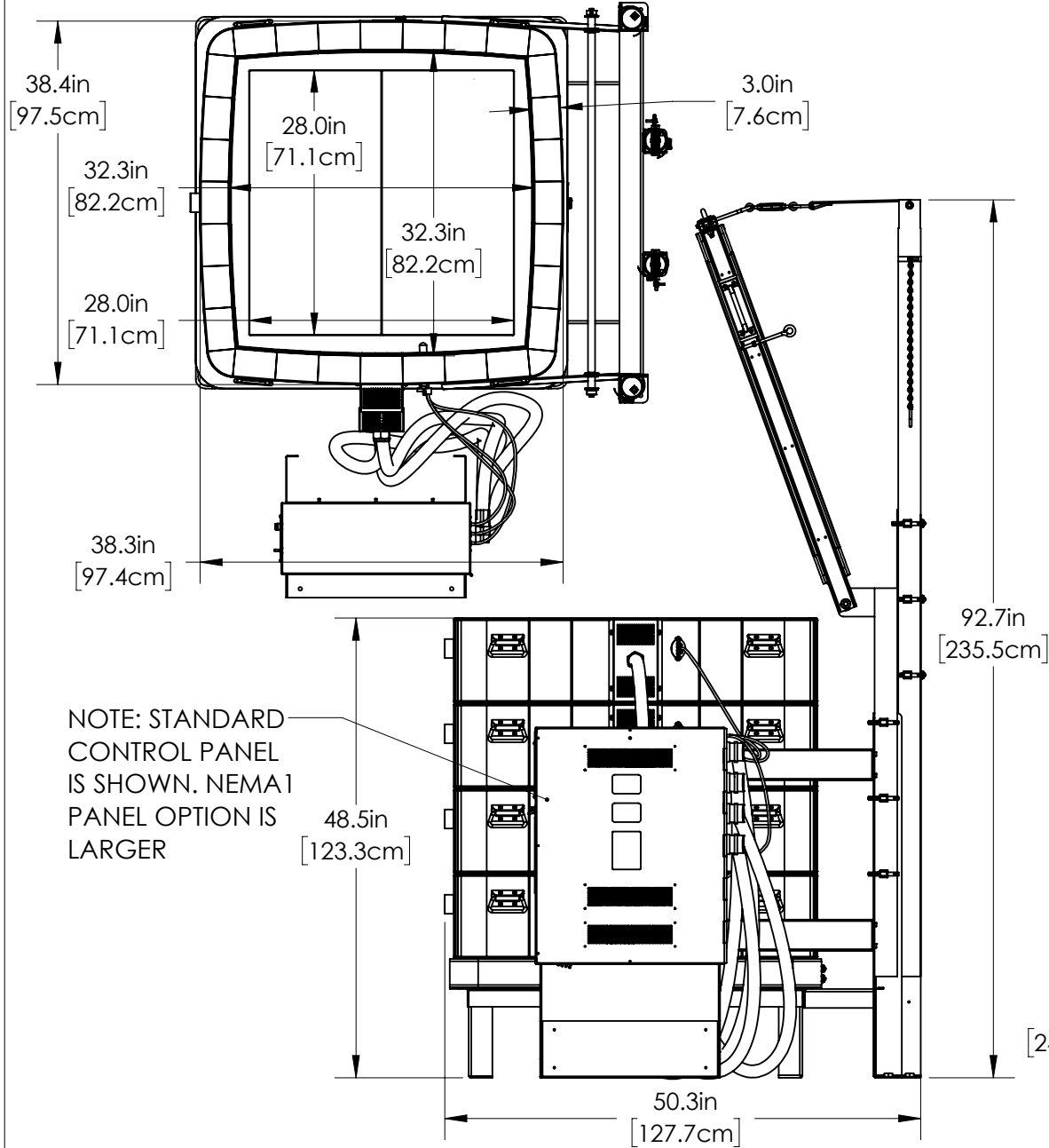
AT TEMP F	BTUS	AT TEMP C	KILOJOULES
1800F	26274	980C	27721
2000F	30716	1095C	32407
2232F	36267	1222C	38264
2350F	39253	1285C	41414



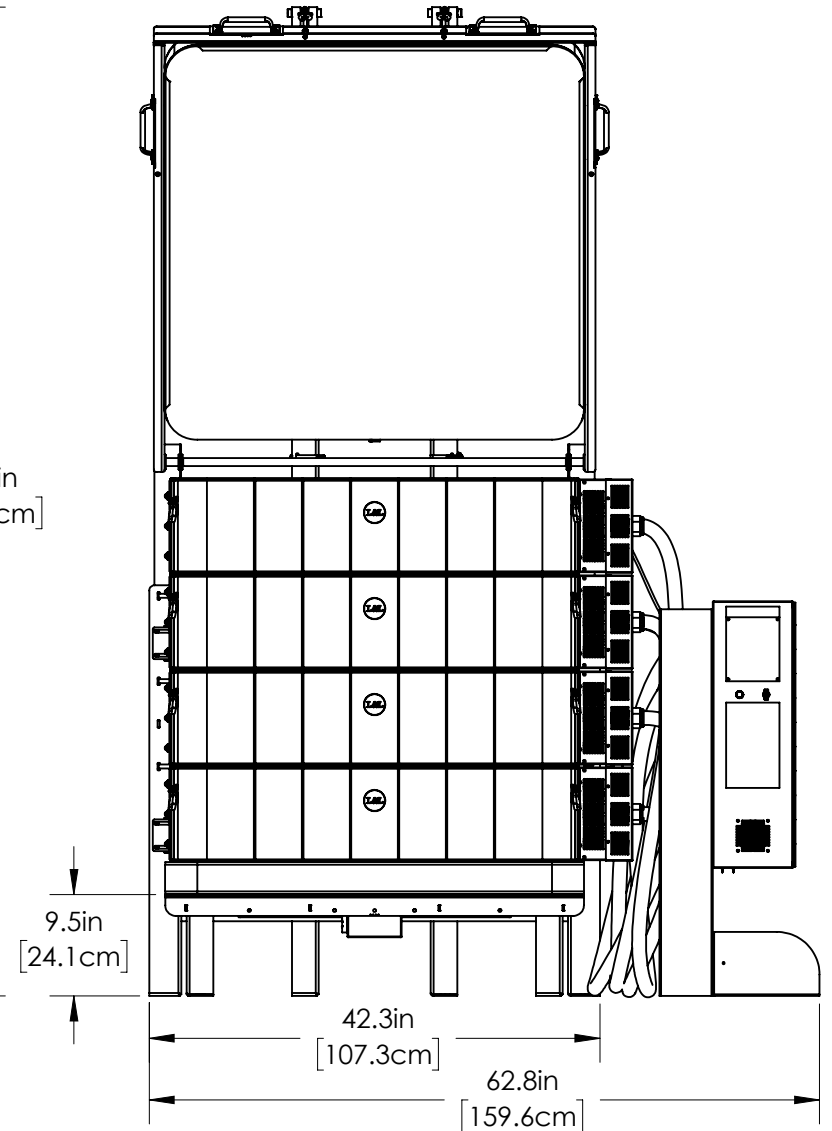
THIS MODEL IS DIRECT WIRED. THERE IS NO POWER CORD.



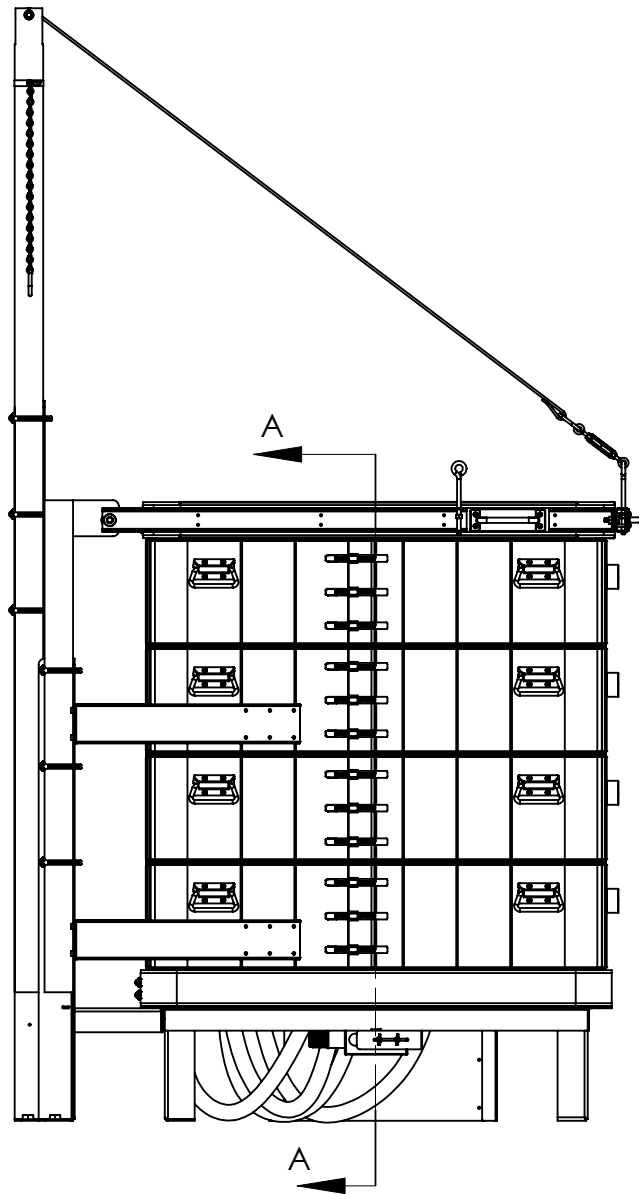
LID NOT SHOWN
IN THIS VIEW



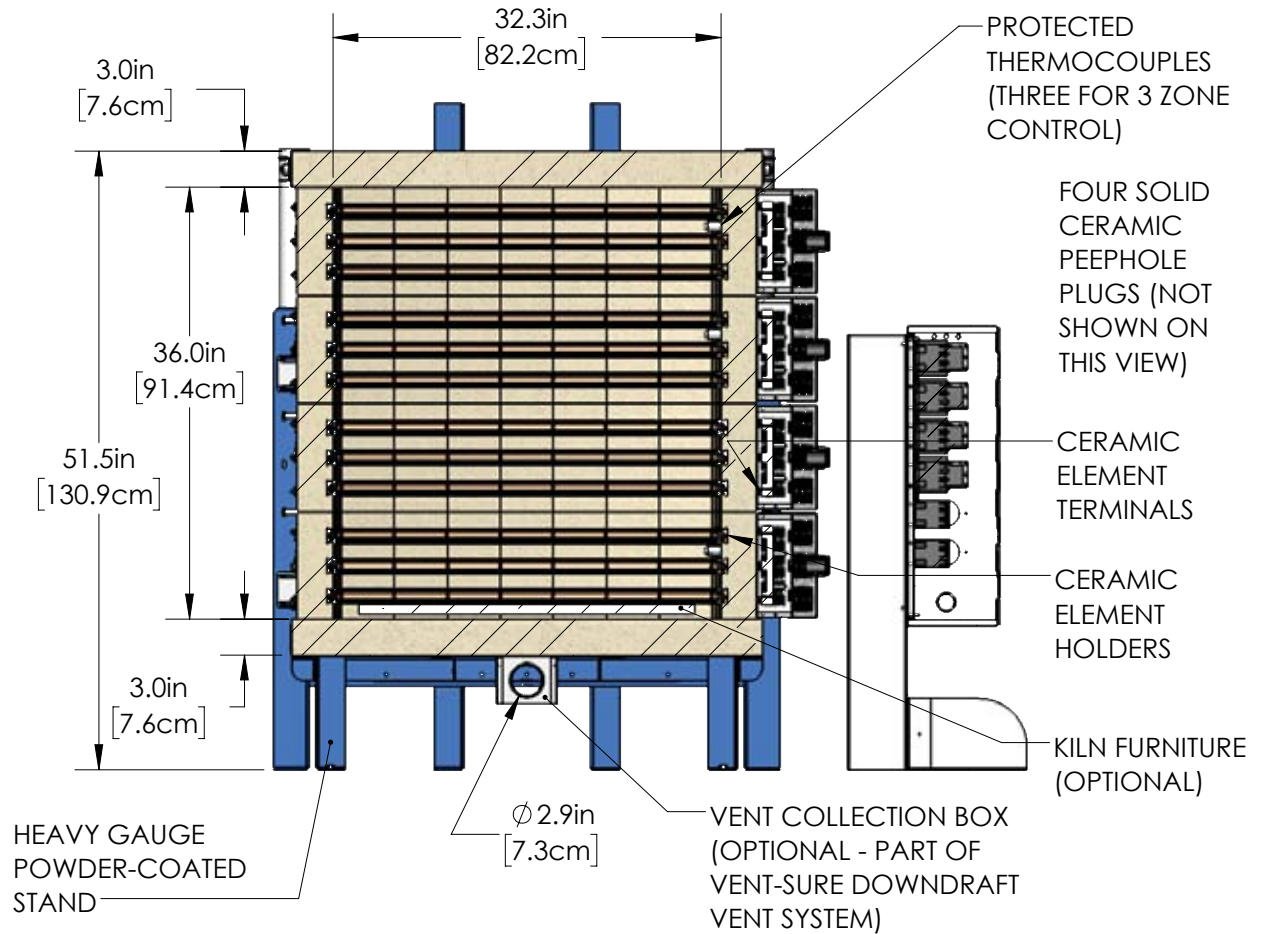
EXPANDABILITY: THIS MODEL CAN BE EXPANDED TO AN X3245 BY ADDING ONE SECTION AND ADDING CORRESPONDING CIRCUITS IN THE CONTROL PANEL.



MADE FROM NEW	DRAWN BY SJL	DATE 04/15/20	SCALE 1:18	TITLE X3236-D (3" BRICK) DAVINCI GENERAL DIMENSIONS	LKilns hotkilns.com	505 SHARPTOWN RD SWEDESBORO NJ 08085 PH: (856) 294-0077 FAX: (856) 294-0070	REV 0	SHEET OF 2/3	DRAWING NO. 300-000-40-4
------------------	-----------------	------------------	---------------	--	-------------------------------	--	----------	-----------------	-----------------------------



SECTION A-A



OPTIONAL FURNITURE KIT: (8) 28" [71.1cm] X 14" [35.5cm] RECTANGULAR SHELVES, (12) EACH 1/2", 1", 2", 4", 6" & 8" SQUARE POSTS

MADE FROM NEW	DRAWN BY SJL	DATE 04/15/20	SCALE 1:16	TITLE X3236-D (3" BRICK) DAVINCI GENERAL DIMENSIONS	LKilns hotkilns.com	505 SHARPTOWN RD SWEDESBORO NJ 08085 PH: (856) 294-0077 FAX: (856) 294-0070	REV 0	SHEET OF 3/3	DRAWING NO. 300-000-40-4
------------------	-----------------	------------------	---------------	--	-------------------------------	--	-----------------	-----------------	-----------------------------