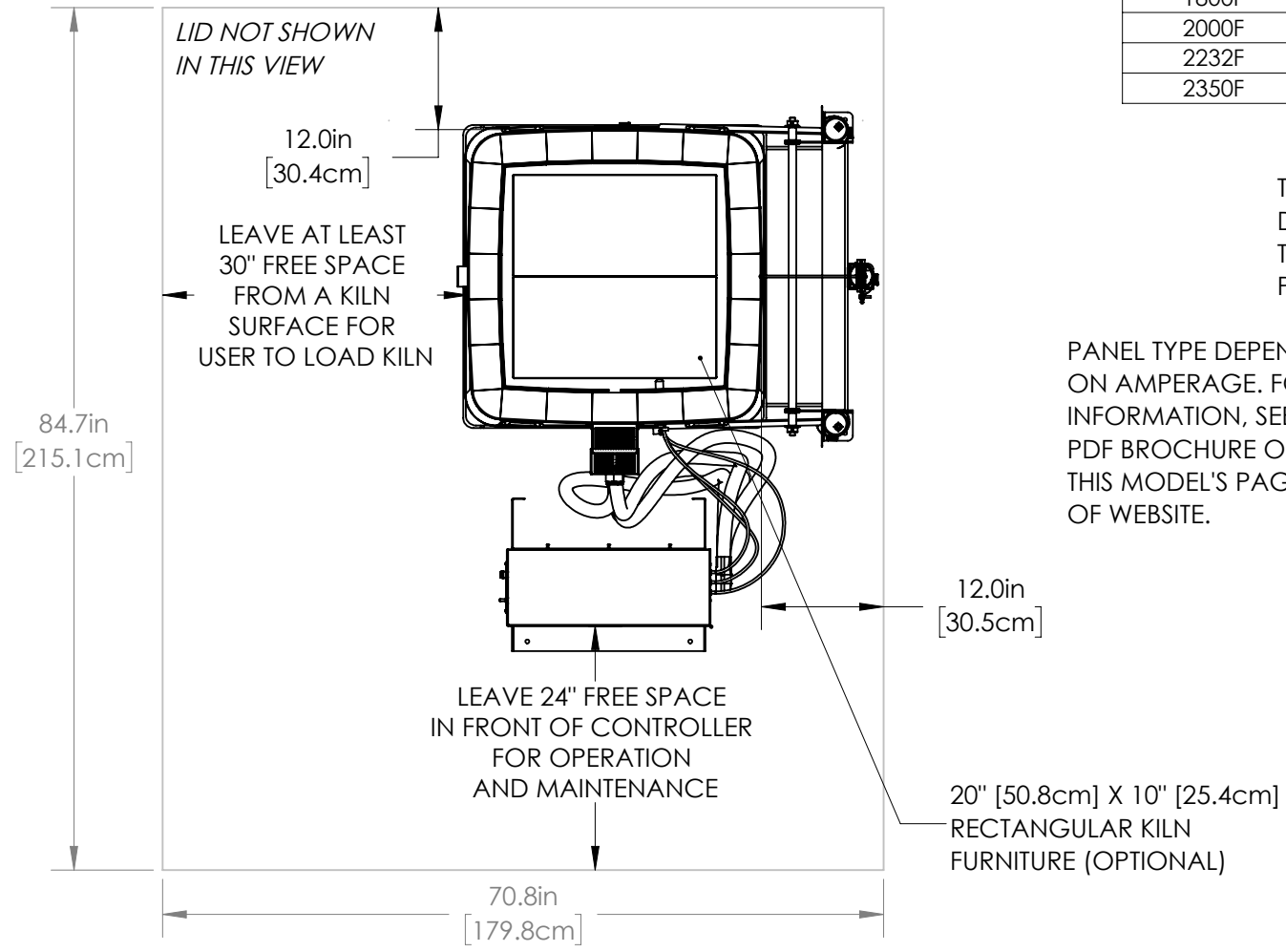


- WALL/KILN SPACING:** 12" [30.5cm] SPACING BETWEEN SIDES OF KILN AND WALLS OR OTHER OBJECTS. 18" [45.7cm] IS RECOMMENDED. LEAVE AT LEAST 18" [45.7cm] BETWEEN TWO KILNS.
- AMBIENT VENTILATION:** SEE CHART TO RIGHT FOR RATINGS. TO CALCULATE REQUIREMENTS, SEE hotkilns.com/calculate-kiln-room-ventilation.
- KILN VENTILATION:** L&L VENT-SURE KILN VENT RECOMMENDED FOR SAFETY AND LONGER ELEMENT LIFE. OPTIONAL CONTROL ALLOWS VENT TO BE TURNED ON AND OFF WITH CONTROL.

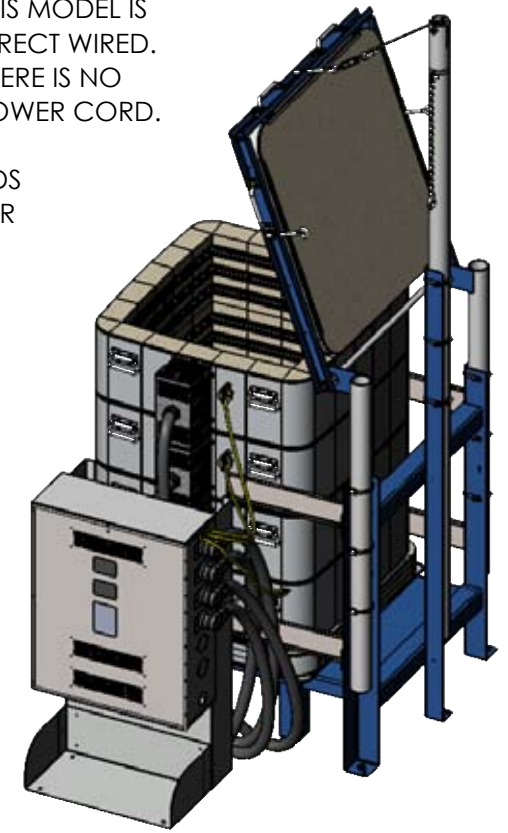
- OTHER INFO:** REFER TO INSTALLATION INSTRUCTIONS AND CAUTIONS INSTRUCTIONS FOR OTHER REQUIREMENTS AND SAFETY INFORMATION. REFER TO WIRING DIAGRAM FOR ELECTRICAL HOOKUP INFORMATION.
- MAX LOAD WEIGHT:** SEE hotkilns.com/load-weight.
- WEIGHT OF KILN:** 700 LBS, 318 KG

BTUS/ KILOJOULES PER HOUR NEEDED TO BE VENTED WITH AMBIENT ROOM VENTILATION (THIS IS IN ADDITION TO KILN VENTING):			
AT TEMP F	BTUS	AT TEMP C	KILOJOULES
1800F	17393	980C	18351
2000F	20332	1095C	21452
2232F	24006	1222C	25328
2350F	25982	1285C	27413

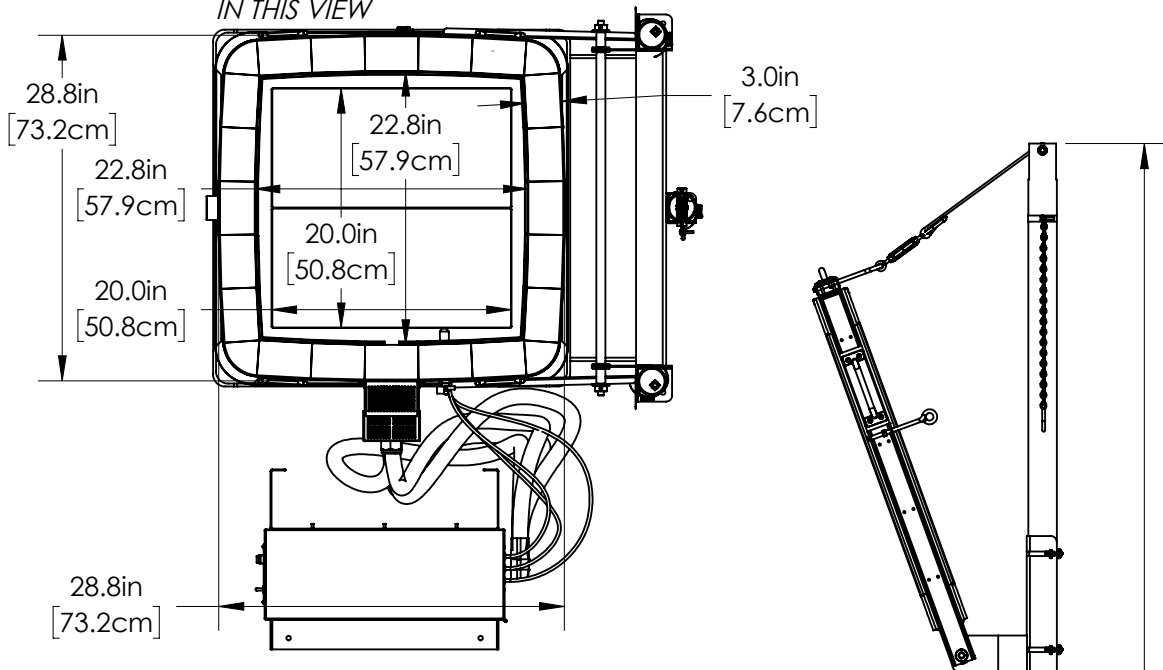


THIS MODEL IS DIRECT WIRED. THERE IS NO POWER CORD.

PANEL TYPE DEPENDS ON AMPERAGE. FOR INFORMATION, SEE PDF BROCHURE ON THIS MODEL'S PAGE OF WEBSITE.

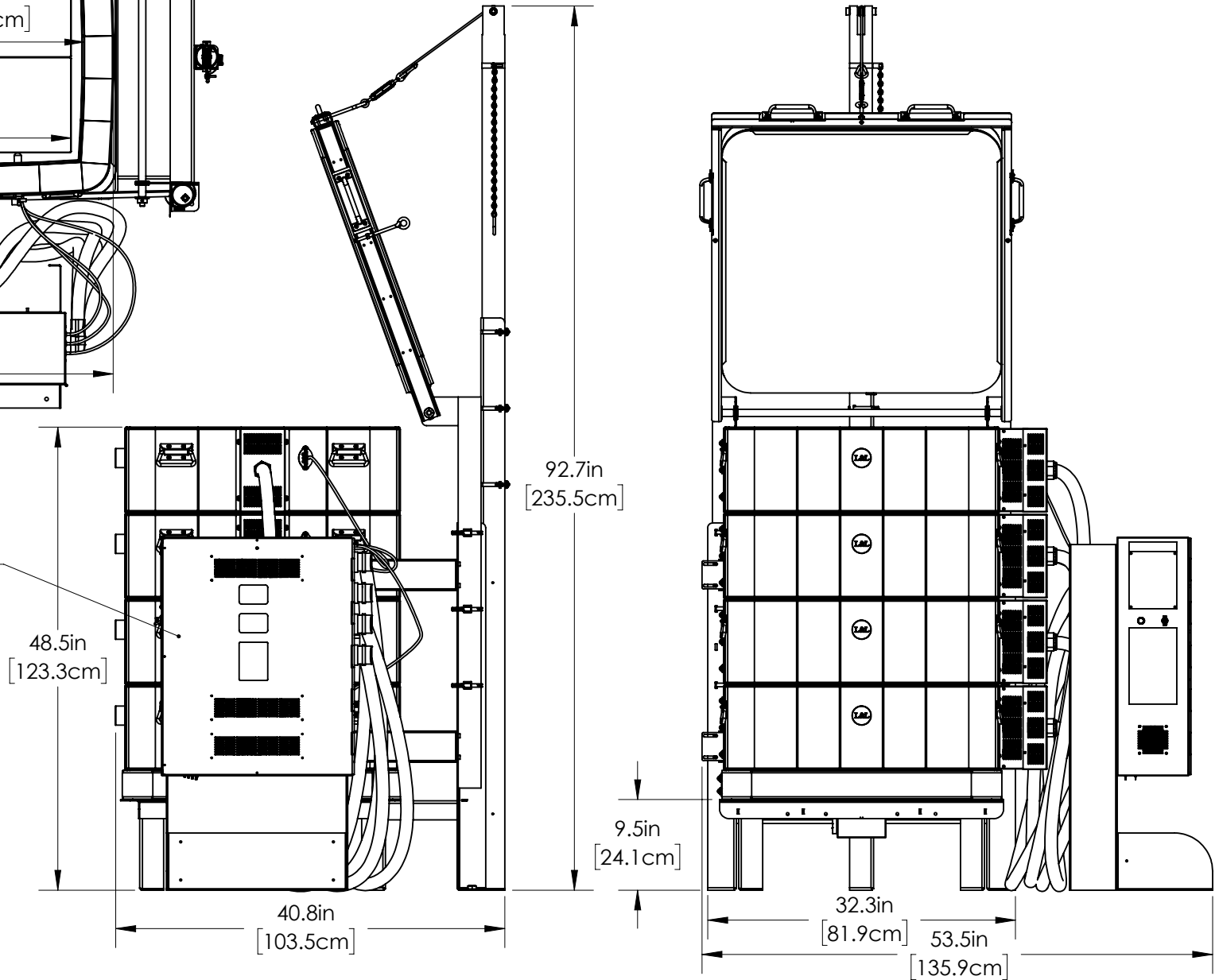


LID NOT SHOWN
IN THIS VIEW



EXPANDABILITY: THIS MODEL CAN BE EXPANDED TO AN X2345 BY ADDING ONE SECTION AND ADDING CORRESPONDING CIRCUITS IN THE CONTROL PANEL.

NOTE: STANDARD CONTROL PANEL IS SHOWN. NEMA 1 PANEL OPTION IS LARGER



DRAWN BY S JL	DATE 04/15/20	SCALE 1:16	TITLE X2336-D (3" BRICK) DAVINCI GENERAL DIMENSIONS	LKilns hotkilns.com	505 SHARPTOWN RD SWEDESBORO NJ 08085 PH: (856) 294-0077 FAX: (856) 294-0070	REV 0	SHEET OF 2/3	DRAWING NO. 300-000-20-4
------------------	------------------	---------------	--	-------------------------------	--	----------	-----------------	-----------------------------

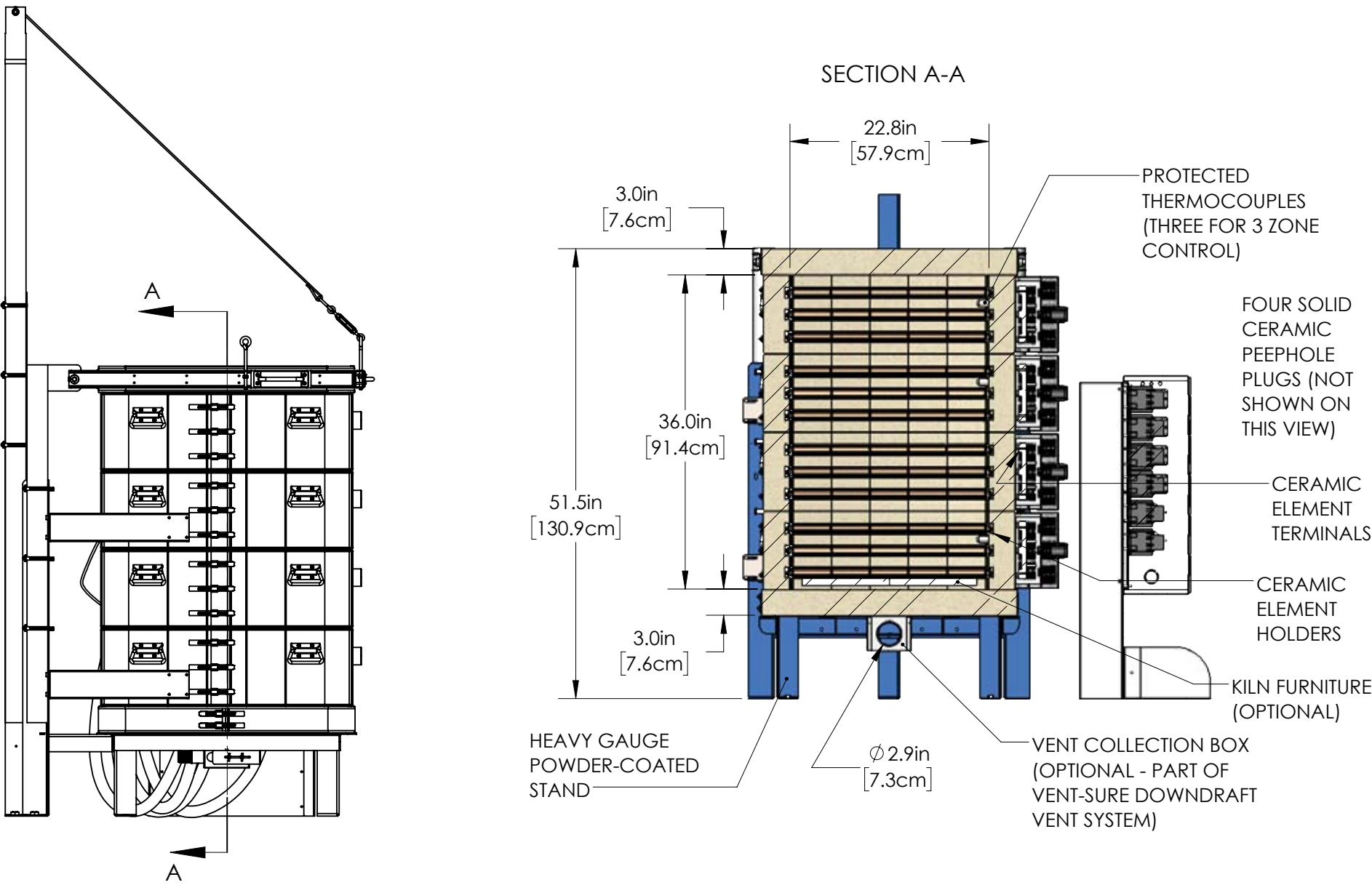
5

4

3

2

1



OPTIONAL FURNITURE KIT: (8) 20" [50.8cm] X 10" [25.4cm] RECTANGULAR SHELVES, (12) EACH 1/2", 1", 2", 4", 6" & 8" SQUARE POSTS

DRAWN BY SJL	DATE 04/15/20	SCALE 1:16	TITLE X2336-D (3" BRICK) DAVINCI GENERAL DIMENSIONS	LKilns hotkilns.com	505 SHARPTOWN RD SWEDESBORO NJ 08085 PH: (856) 294-0077 FAX: (856) 294-0070	REV 0	SHEET OF 3/3	DRAWING NO. 300-000-20-4
-----------------	------------------	---------------	--	-------------------------------	--	-----------------	-----------------	-----------------------------