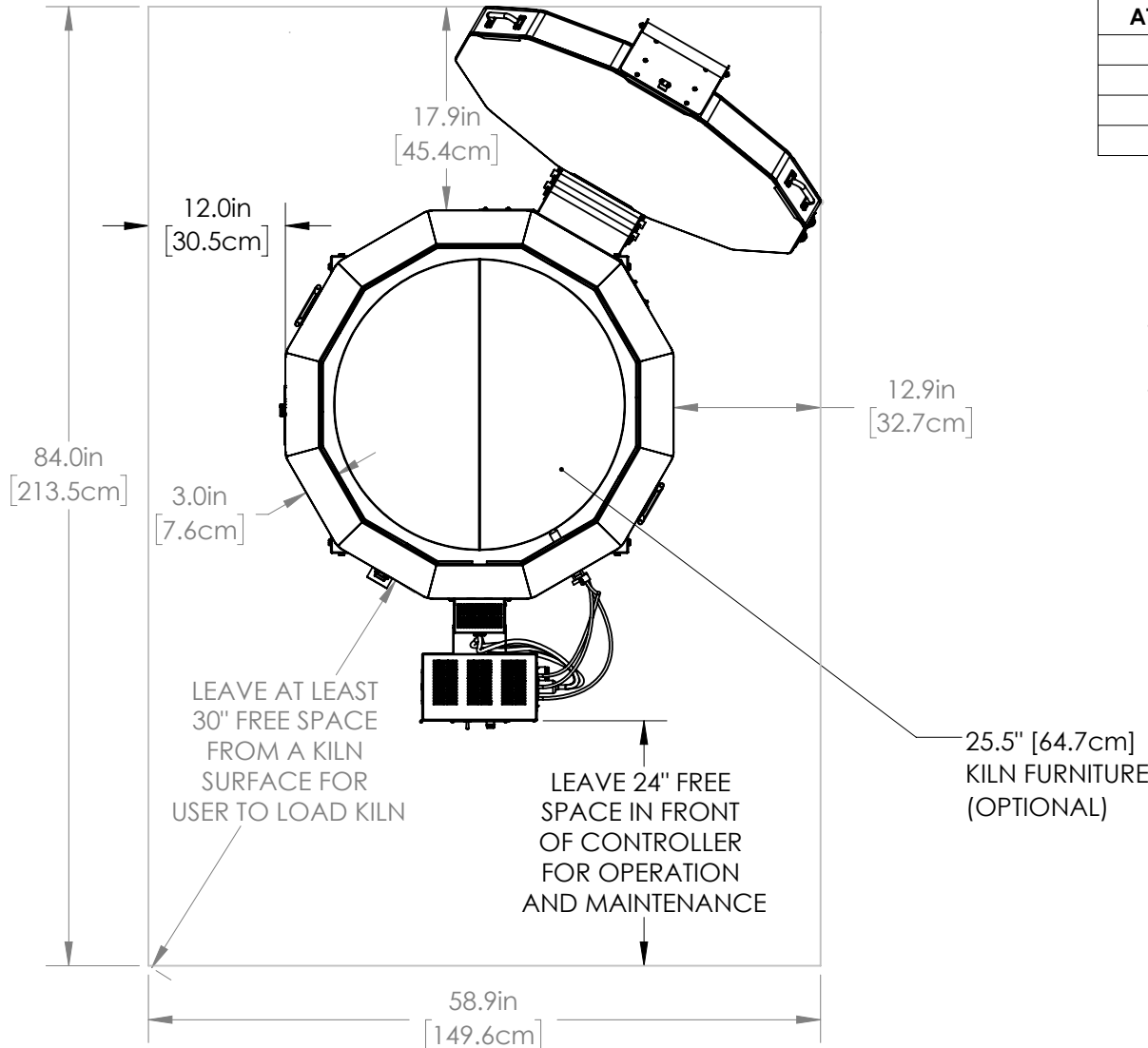


- 1. WALL/KILN SPACING:** 12" [30.5cm] SPACING BETWEEN SIDES OF KILN AND WALLS OR OTHER OBJECTS. 18" [45.7cm] IS RECOMMENDED. LEAVE AT LEAST 18" [45.7cm] BETWEEN TWO KILNS.
- 2. AMBIENT VENTILATION:** SEE CHART TO RIGHT FOR RATINGS. TO CALCULATE REQUIREMENTS, SEE hotkilns.com/calculate-kiln-room-ventilation.
- 3. KILN VENTILATION:** L&L VENT-SURE KILN VENT RECOMMENDED FOR SAFETY AND LONGER ELEMENT LIFE. OPTIONAL CONTROL ALLOWS VENT TO BE TURNED ON AND OFF WITH CONTROL.

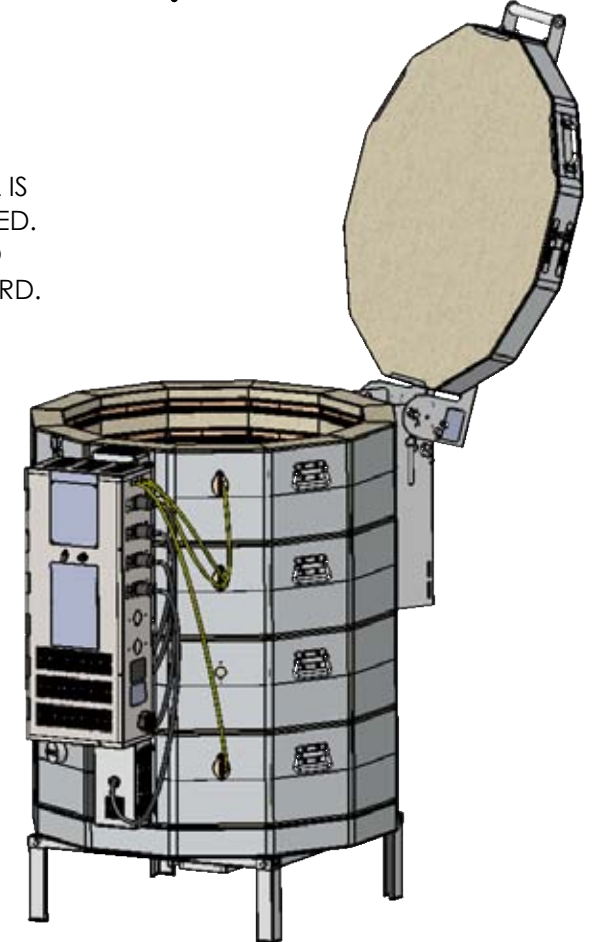
- 4. OTHER INFO:** REFER TO INSTALLATION INSTRUCTIONS AND CAUTIONS INSTRUCTIONS FOR OTHER REQUIREMENTS AND SAFETY INFORMATION. REFER TO WIRING DIAGRAM FOR ELECTRICAL HOOKUP INFORMATION.
- 5. MAX LOAD WEIGHT:** SEE hotkilns.com/load-weight.
- 6. WEIGHT OF KILN:** 515 LBS, 234 KG

BTUS/ KILOJOULES PER HOUR NEEDED TO BE VENTED WITH AMBIENT ROOM VENTILATION (THIS IS IN ADDITION TO KILN VENTING):

AT TEMP F	BTUS	AT TEMP C	KILOJOULES
1800F	19056	980C	20105
2000F	22276	1095C	23503
2232F	26302	1222C	27750
2350F	28467	1285C	30035



THIS MODEL IS DIRECT WIRED. THERE IS NO POWER CORD.



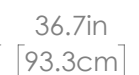
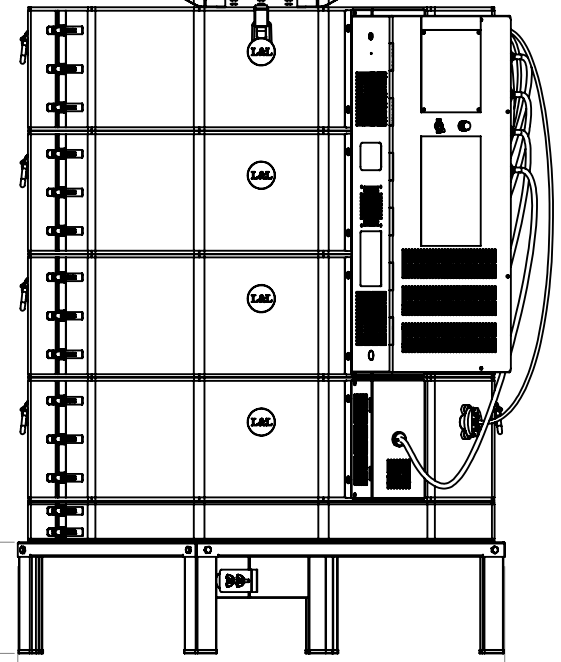
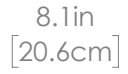
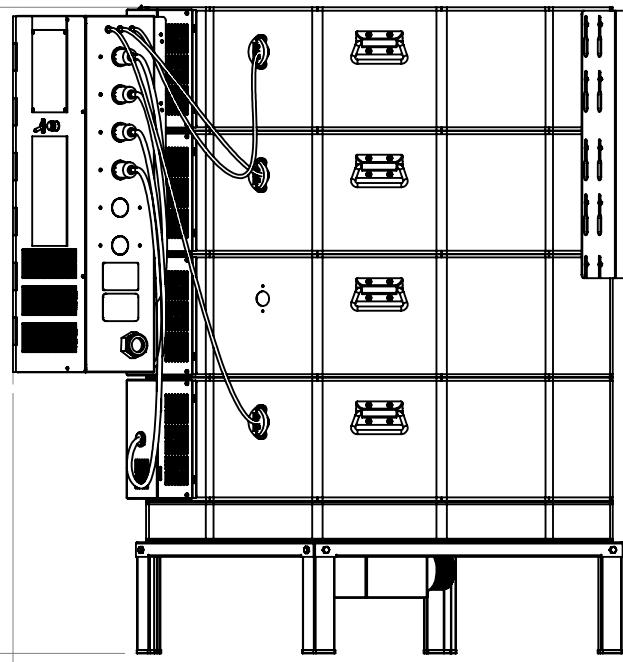
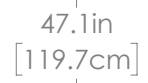
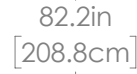
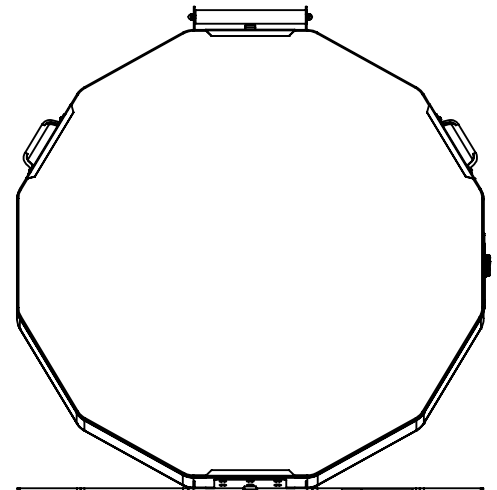
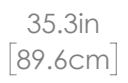
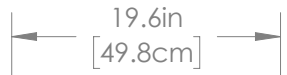
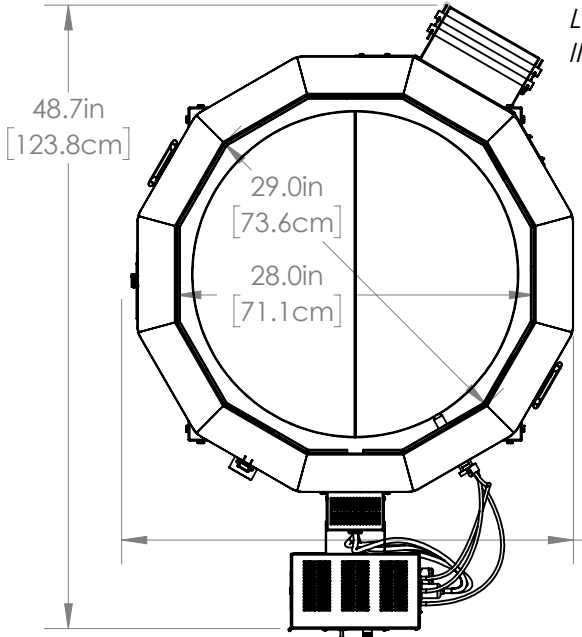
MADE FROM NEW
 DRAWN BY DSL
 DATE 02/01/20
 SCALE 1:16
 TITLE JD2936-3 (3" BRICK) GENERAL DIMENSIONS



505 SHARPTOWN RD
 SWEDESBORO NJ 08085
 PH: (856) 294-0077
 FAX: (856) 294-0070

REV 0
 SHEET OF 1/3
 DRAWING NO. 235-000-60-4

LID NOT SHOWN
IN THIS VIEW



MADE FROM NEW	DRAWN BY DSL	DATE 02/01/20	SCALE 1:14	TITLE JD2936-3 (3" BRICK) GENERAL DIMENSIONS	LKilns hotkilns.com	505 SHARPTOWN RD SWEDESBORO NJ 08085 PH: (856) 294-0077 FAX: (856) 294-0070	REV 0	SHEET OF 2/3	DRAWING NO. 235-000-60-4
------------------	-----------------	------------------	---------------	---	-------------------------------	--	----------	-----------------	-----------------------------

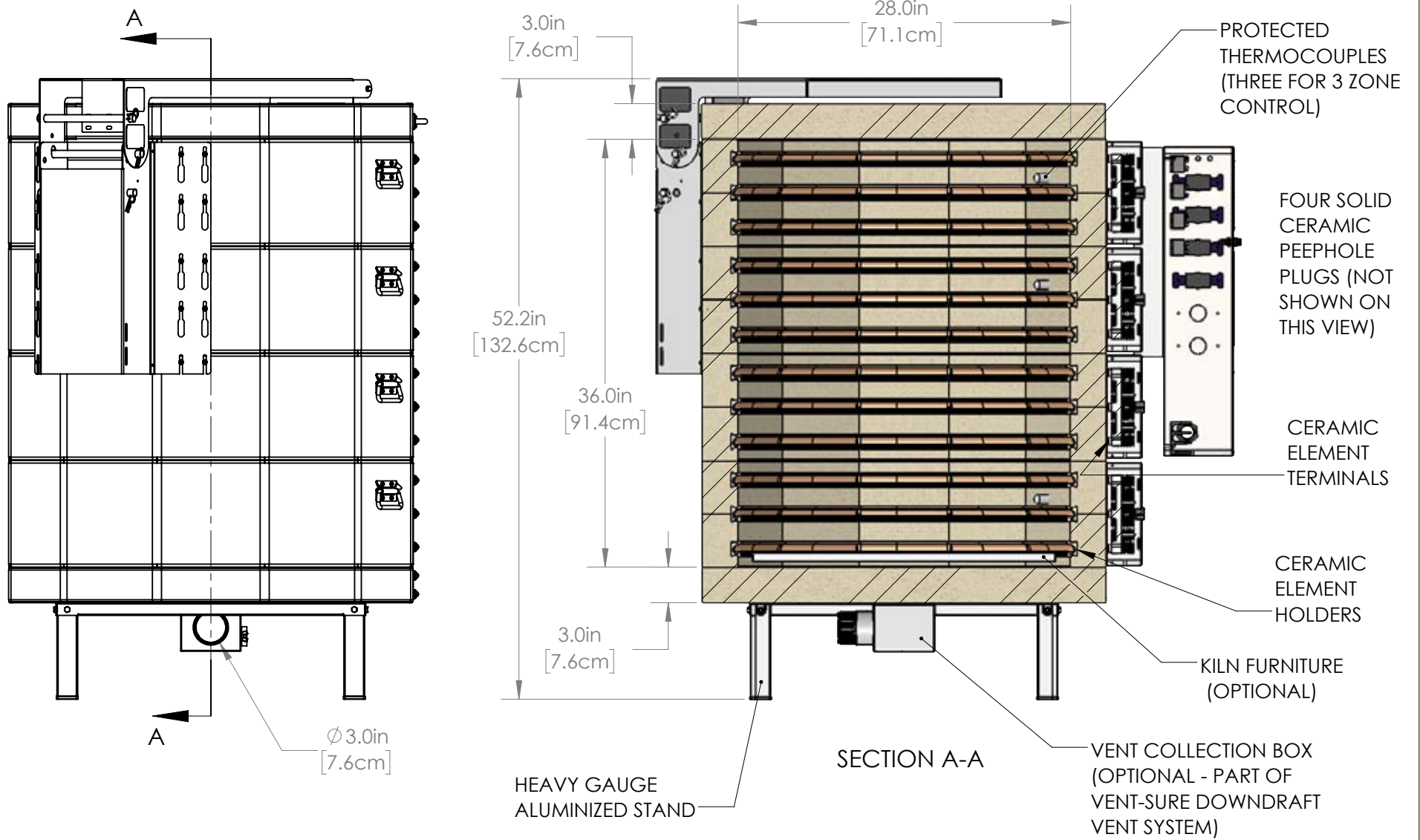
5

4

3

2

1



OPTIONAL FURNITURE KIT: (10) 25.5" [64.7cm] HALF ROUND SHELVES, SIX EACH 1/2", 1", 2", 4", 6" & 8" SQUARE POSTS

MADE FROM 0	DRAWN BY DSL	DATE 02/01/20	SCALE 1:12	TITLE JD2936-3 (3" BRICK) GENERAL DIMENSIONS	LKilns hotkilns.com	505 SHARPTOWN RD SWEDESBORO NJ 08085 PH: (856) 294-0077 FAX: (856) 294-0070	REV 0	SHEET OF 3/3	DRAWING NO. 235-000-60-4
----------------	-----------------	------------------	---------------	---	-------------------------------	--	----------	-----------------	-----------------------------