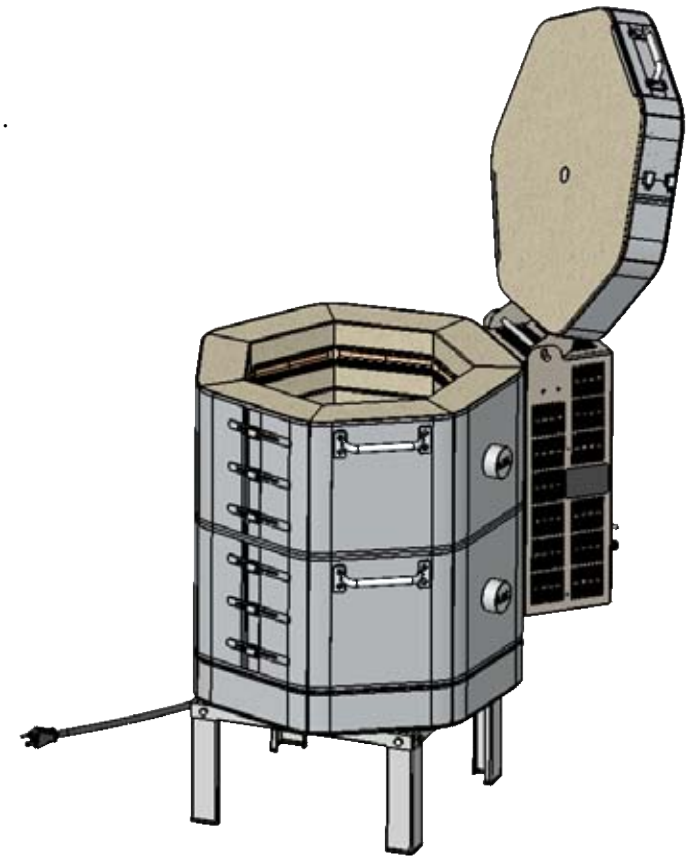
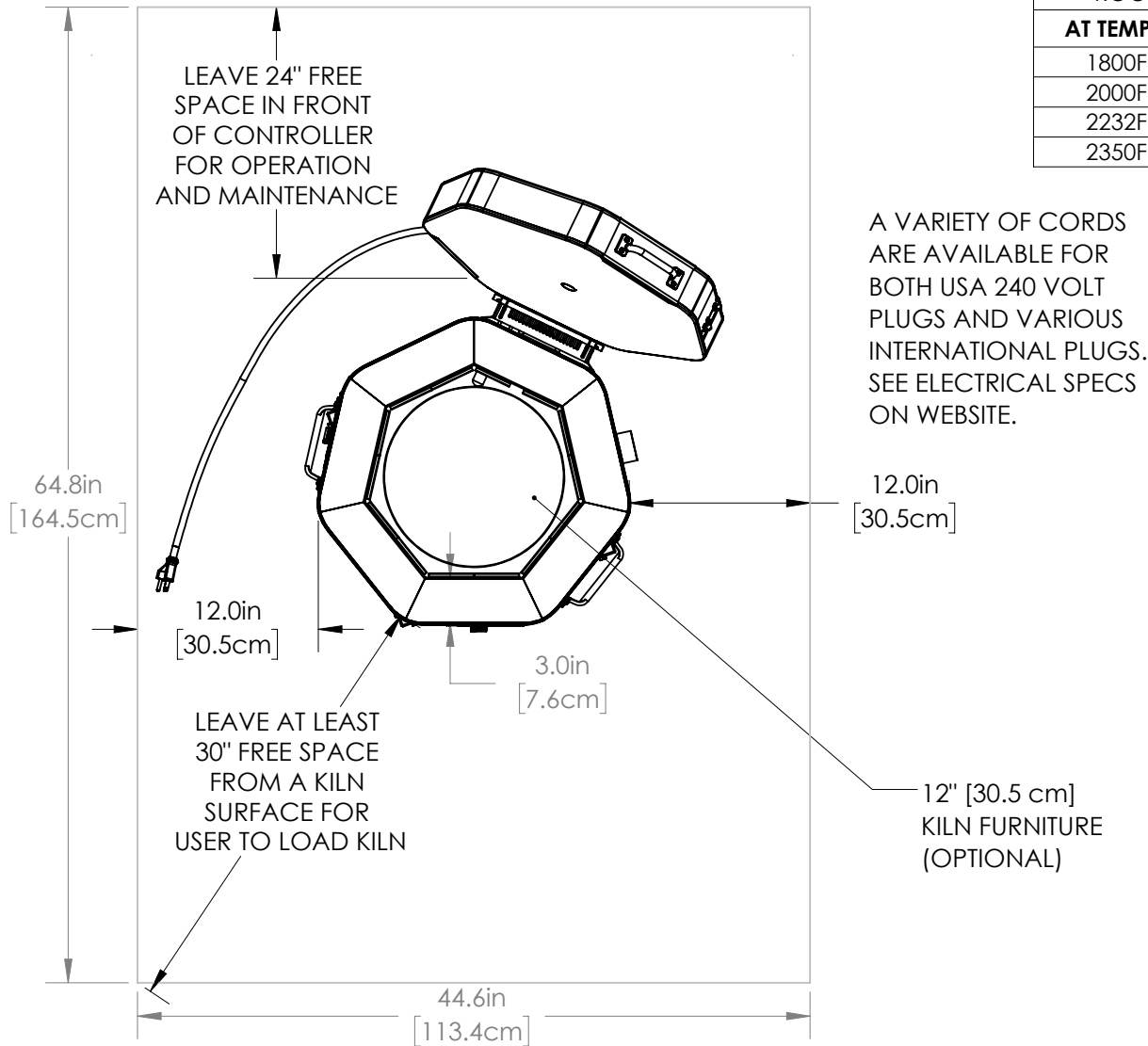


- WALL/KILN SPACING:** 12" [30.5cm] SPACING BETWEEN SIDES OF KILN AND WALLS OR OTHER OBJECTS. 18" [45.7cm] IS RECOMMENDED. LEAVE AT LEAST 18" [45.7cm] BETWEEN TWO KILNS.
- AMBIENT VENTILATION:** SEE CHART TO RIGHT FOR RATINGS. TO CALCULATE REQUIREMENTS, SEE hotkilns.com/calculate-kiln-room-ventilation.
- KILN VENTILATION:** L&L VENT-SURE KILN VENT RECOMMENDED FOR SAFETY AND LONGER ELEMENT LIFE. OPTIONAL CONTROL ALLOWS VENT TO BE TURNED ON AND OFF WITH CONTROL.

- OTHER INFO:** REFER TO INSTALLATION INSTRUCTIONS AND CAUTIONS INSTRUCTIONS FOR OTHER REQUIREMENTS AND SAFETY INFORMATION. REFER TO WIRING DIAGRAM FOR ELECTRICAL HOOKUP INFORMATION.
- MAX LOAD WEIGHT:** SEE hotkilns.com/load-weight.
- WEIGHT OF KILN:** 150 LBS, 69 KG

BTUS/ KILOJOULES PER HOUR NEEDED TO BE VENTED WITH AMBIENT ROOM VENTILATION (THIS IS IN ADDITION TO KILN VENTING):			
AT TEMP F	BTUS	AT TEMP C	KILOJOULES
1800F	4949	980C	5222
2000F	5794	1095C	6113
2232F	6854	1222C	7231
2350F	7424	1285C	7833

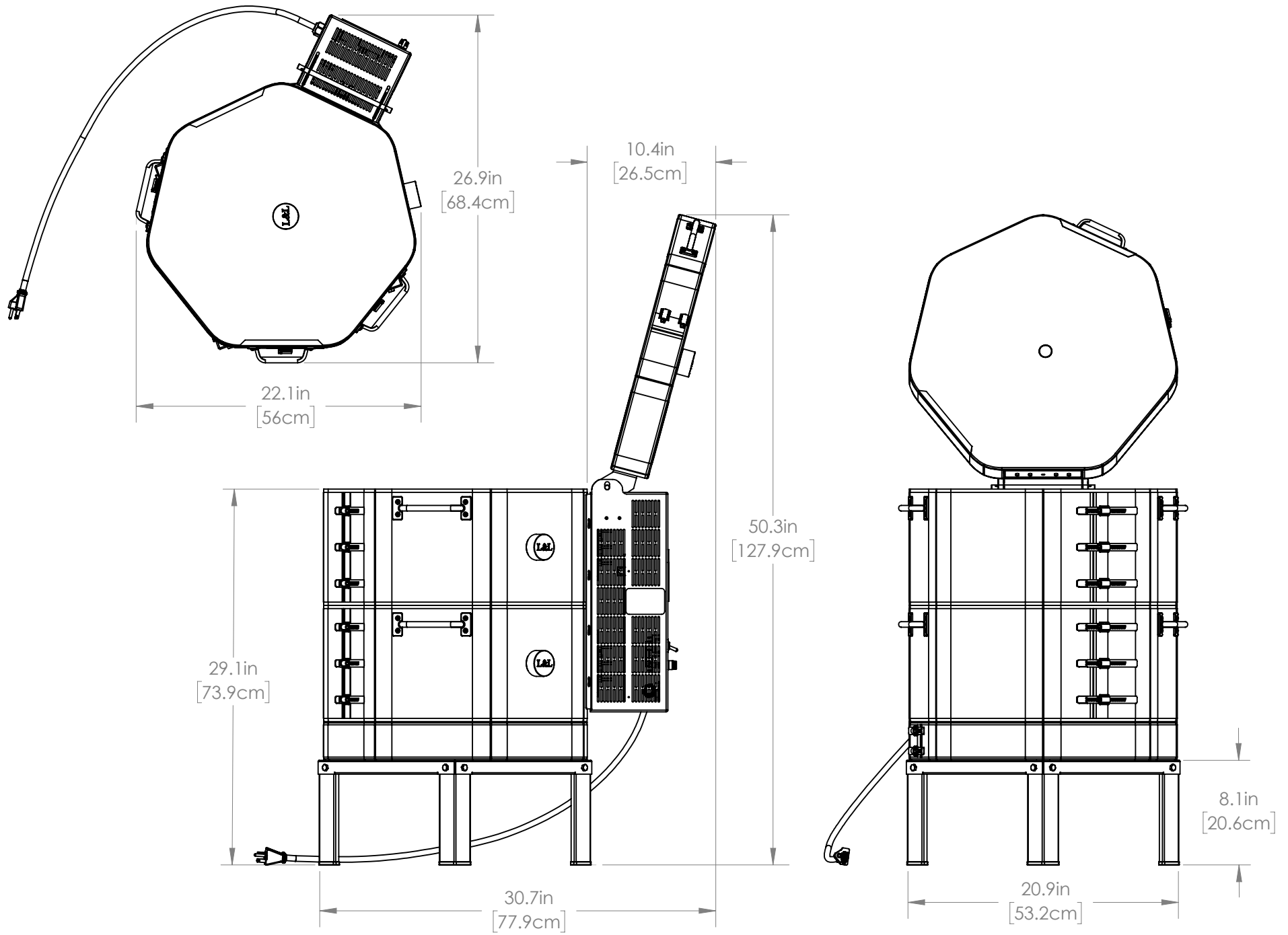


MADE FROM NEW
 DRAWN BY SJL
 DATE 09/01/19
 SCALE 1:12
 TITLE F1418-3 FUEGO (3" BRICK) GENERAL DIMENSIONS



505 SHARPTOWN RD
 SWEDESBORO NJ 08085
 PH: (856) 294-0077
 FAX: (856) 294-0070

REV 0
 SHEET OF 1/3
 DRAWING NO. 210-000-20-2



MADE FROM NEW	DRAWN BY SJL	DATE 09/01/19	SCALE 1:10	TITLE F1418-3 FUEGO (3" BRICK) GENERAL DIMENSIONS		505 SHARPTOWN RD SWEDESBORO NJ 08085 PH: (856) 294-0077 FAX: (856) 294-0070	REV 0	SHEET OF 2/3	DRAWING NO. 210-000-20-2
------------------	-----------------	------------------	---------------	------------------------------------------------------	---------------------------------------------------------------------------------------	--------------------------------------------------------------------------------------	----------	-----------------	-----------------------------

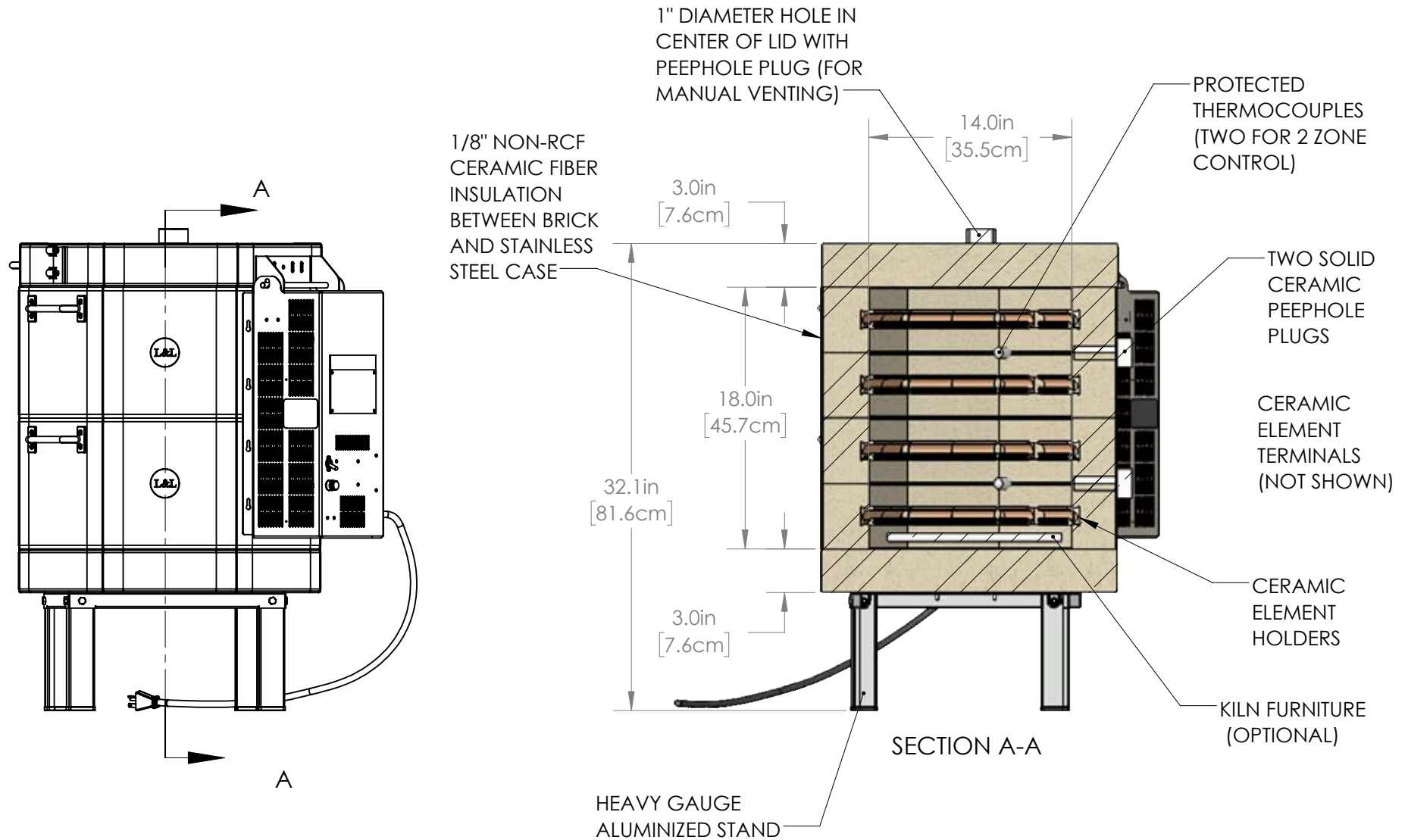
5

4

3

2

1



OPTIONAL FURNITURE KIT: (3) 12" [30.5 cm] FULL ROUND SHELF, FOUR EACH 1/2", 1", 1-1/2", 2", 3", & 4" TRIANGULAR POSTS

MADE FROM NEW	DRAWN BY SJL	DATE 09/01/19	SCALE 1:10	TITLE F1418-3 FUEGO (3" BRICK) GENERAL DIMENSIONS	LKilns hotkilns.com	505 SHARPTOWN RD SWEDESBORO NJ 08085 PH: (856) 294-0077 FAX: (856) 294-0070	REV 0	SHEET OF 3/3	DRAWING NO. 210-000-20-2
------------------	-----------------	------------------	---------------	------------------------------------------------------	-------------------------------	--------------------------------------------------------------------------------------	-----------------	-----------------	-----------------------------