

1. **WALL/KILN SPACING:** 12" [30.5cm] SPACING BETWEEN SIDES OF KILN AND WALLS OR OTHER OBJECTS. 18" [45.7cm] IS RECOMMENDED. LEAVE AT LEAST 18" [45.7cm] BETWEEN TWO KILNS.
2. **AMBIENT VENTILATION:** SEE CHART TO RIGHT FOR RATINGS. TO CALCULATE REQUIREMENTS, SEE hotkilns.com/calculate-kiln-room-ventilation.
3. **KILN VENTILATION:** L&L VENT-SURE KILN VENT RECOMMENDED FOR SAFETY AND LONGER ELEMENT LIFE. OPTIONAL CONTROL ALLOWS VENT TO BE TURNED ON AND OFF WITH CONTROL.
4. **OTHER INFO:** REFER TO INSTALLATION INSTRUCTIONS AND CAUTIONS INSTRUCTIONS FOR OTHER REQUIREMENTS AND SAFETY INFORMATION. REFER TO WIRING DIAGRAM FOR ELECTRICAL HOOKUP INFORMATION.
5. **MAX LOAD WEIGHT:** SEE hotkilns.com/load-weight.
6. **WEIGHT OF KILN:** 660 LBS, [299 KG]
7. **WEIGHT OF KILN WITHOUT DOOR:** 525 LBS [238 KG]
8. **WEIGHT OF DOOR:** 135 LBS [61 KG]

BTUS/ KILOJOULES PER HOUR NEEDED TO BE VENTED WITH AMBIENT ROOM VENTILATION (THIS IS IN ADDITION TO KILN VENTING):

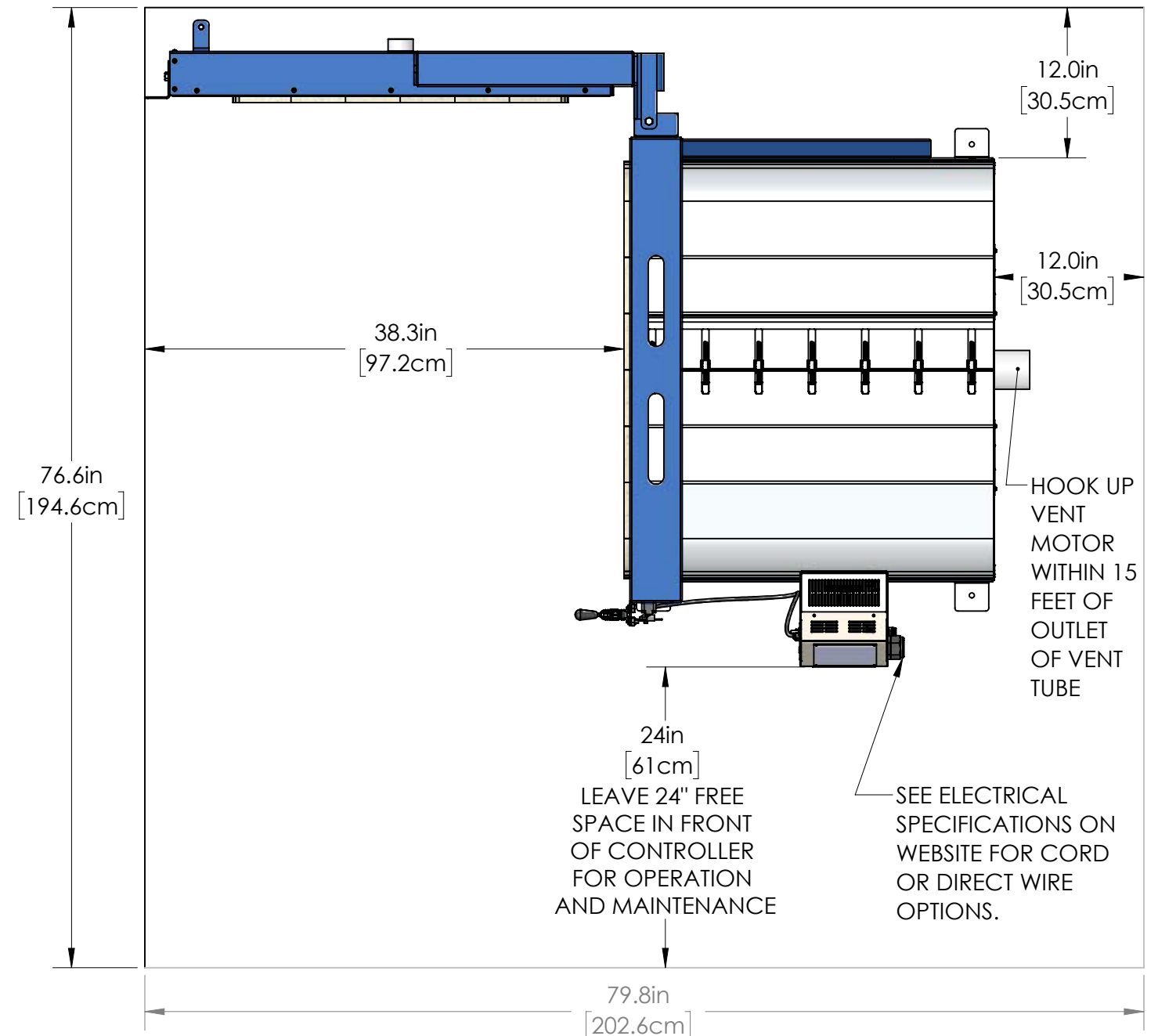
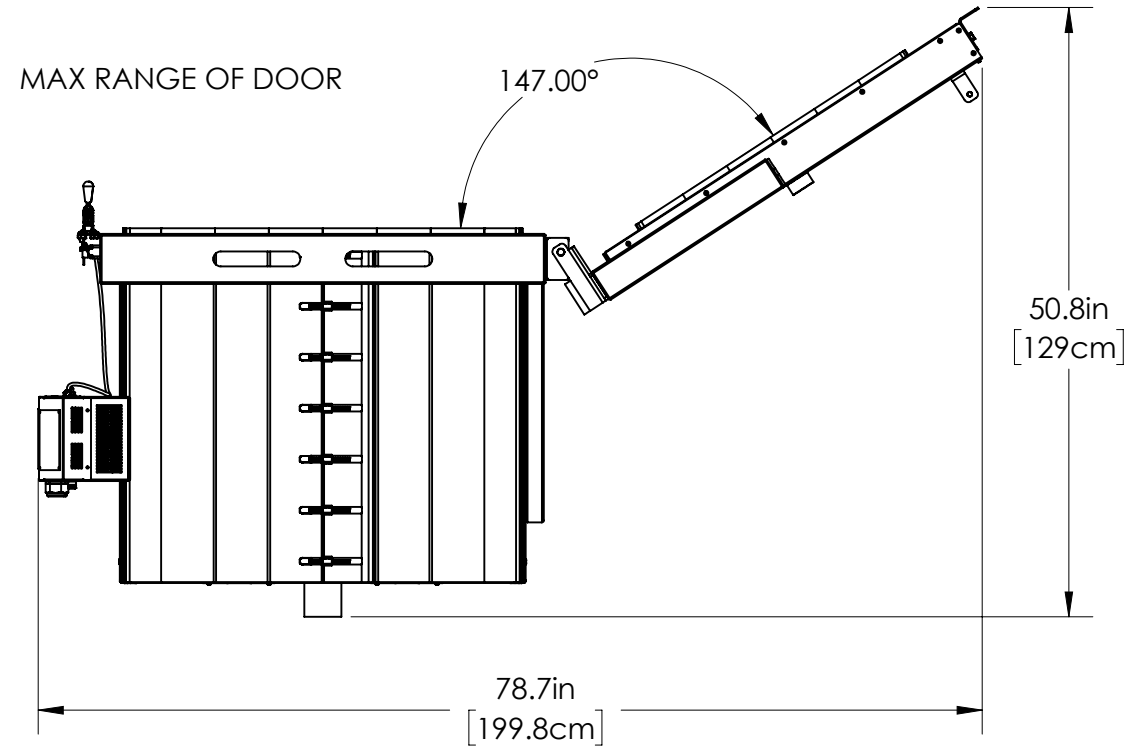
AT TEMP F	BTUS	AT TEMP C	KILOJOULES
1800F	15456	980C	16307
2000F	18064	1095C	19058
2232F	21323	1222C	22497
2350F	23076	1285C	24347

TO MOVE KILN THROUGH A 30" DOOR:

1. REMOVE VENT
2. REMOVE DOOR
3. REMOVE DOOR CLAMPS
4. REMOVE BOTTOM MOUNT BRACKETS OR CASTERS
5. TURN KILN SIDWAYS

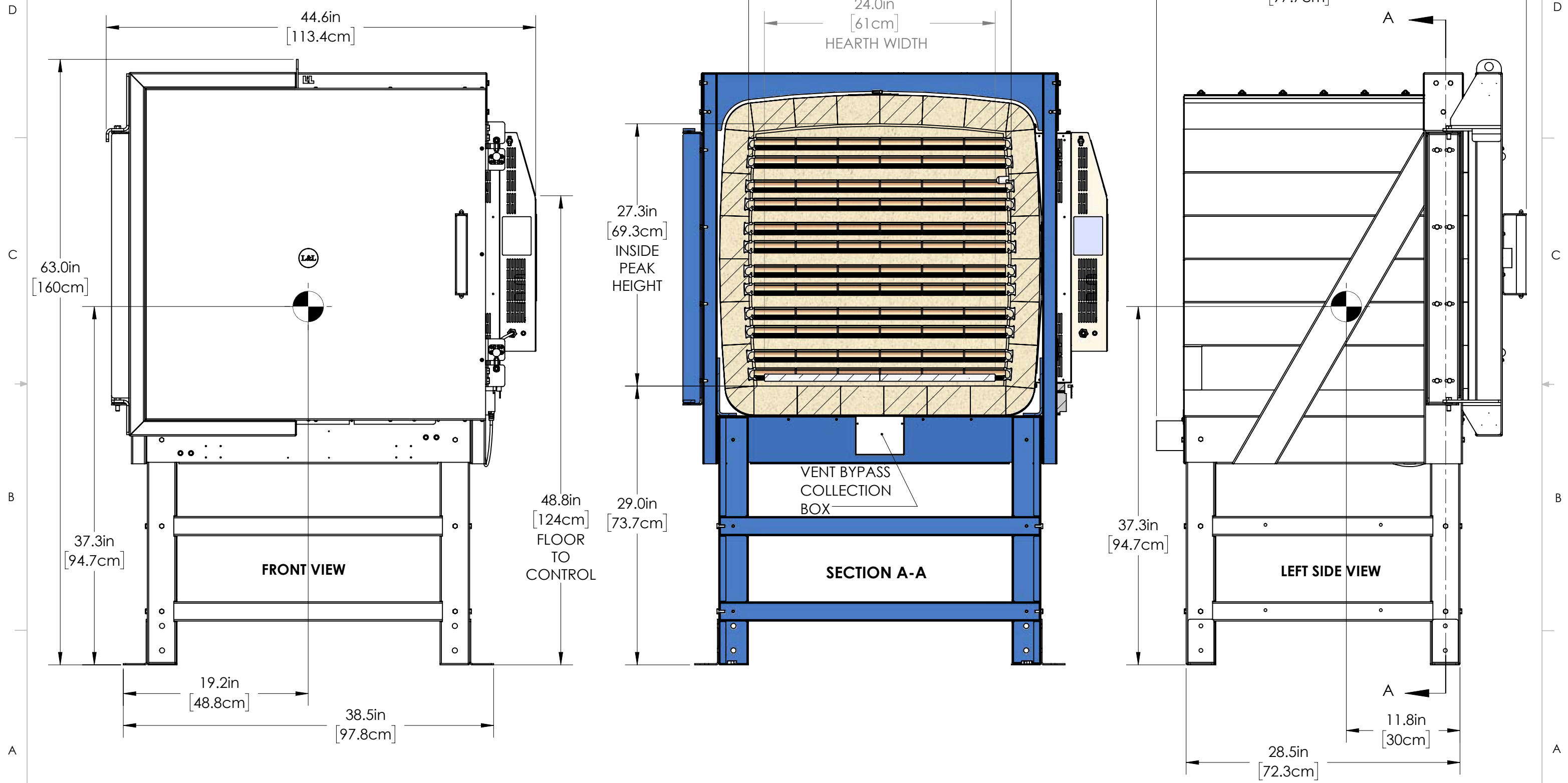
CLEARANCE NOTES:

1. 12" [30.5cm] SPACING BETWEEN SIDES OF KILN AND WALLS OR OTHER OBJECTS. 18" [45.7cm] IS RECOMMENDED.
2. LEAVE AT LEAST 18" [45.7cm] BETWEEN TWO KILNS.



CLEARANCES, LAYOUT & INSTALLATION

CENTER OF MASS IS SHOWN WITH ROUND CROSS SYMBOLS. KILN COULD TIP OVER IF CENTER OF MASS BECOMES VERTICAL ABOVE ONE EDGE OF KILN BASE. THIS COULD CAUSE SERIOUS INJURY.



FRONT, FRONT CROSSECTION AND LEFT SIDE VIEWS

THE INFORMATION CONTAINED IN THIS DRAWING IS THE SOLE PROPERTY OF L&L KILN MFG INC. ANY REPRODUCTION IN PART OR AS A WHOLE WITHOUT THE WRITTEN PERMISSION OF L&L KILN MFG INC. IS PROHIBITED.

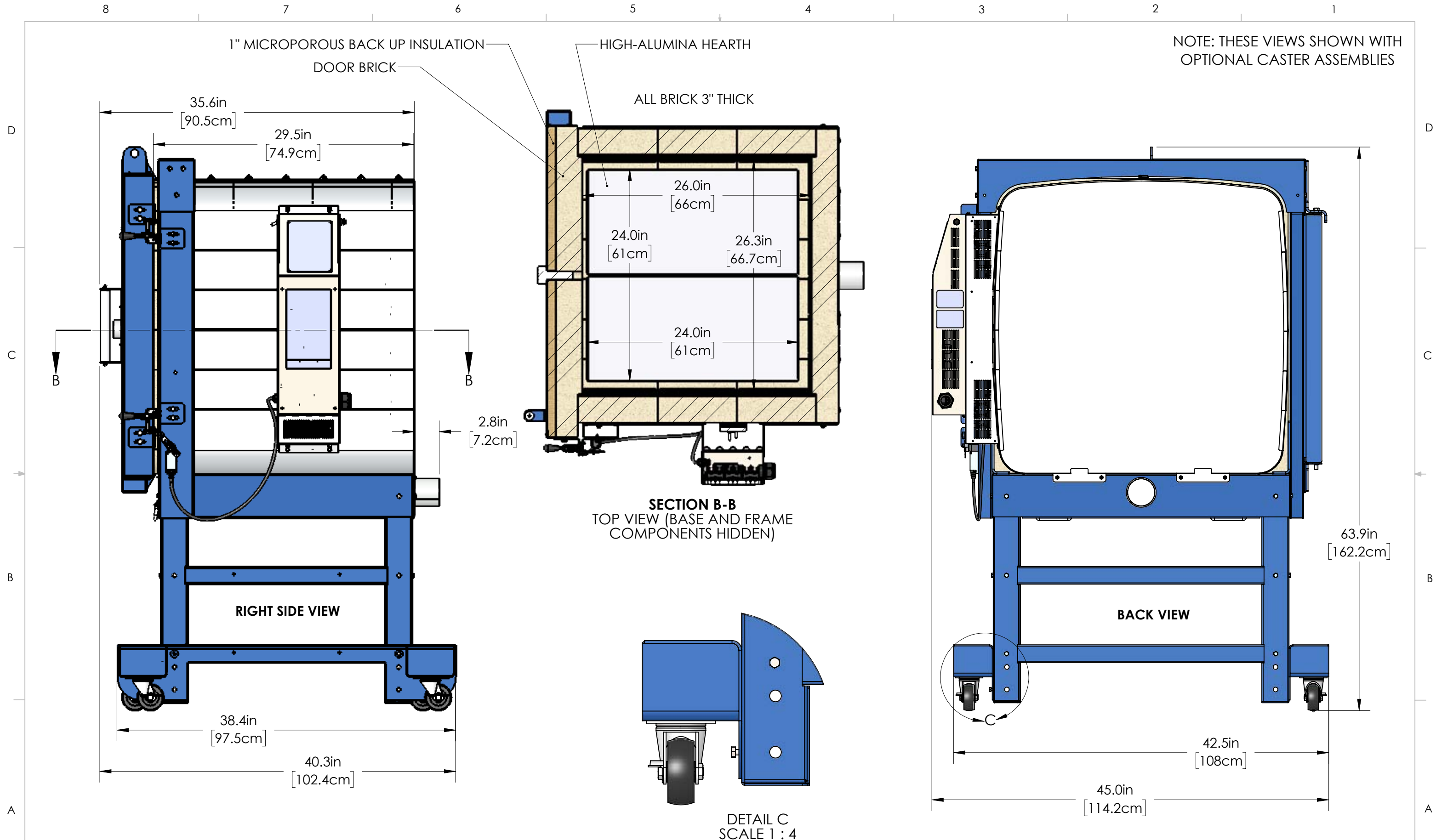
DRAWN BY: SJL
 DATE: 04/15/20
 SCALE: 1:10
 TITLE: eFL2626 (3" BRICK) GENERAL DIMENSIONS

eFL2626 (3" BRICK) GENERAL DIMENSIONS



PH: (856) 294-0077
 FAX: (856) 294-0070

REV: B
 SHEET OF: 2/4
 DRAWING NO.: 200-000-80



RIGHT SIDE, TOP CROSSSECTION & BACK VIEWS

THE INFORMATION CONTAINED IN THIS DRAWING IS THE SOLE PROPERTY OF L&L KILN MFG INC. ANY REPRODUCTION IN PART OR AS A WHOLE WITHOUT THE WRITTEN PERMISSION OF L&L KILN MFG INC. IS PROHIBITED.

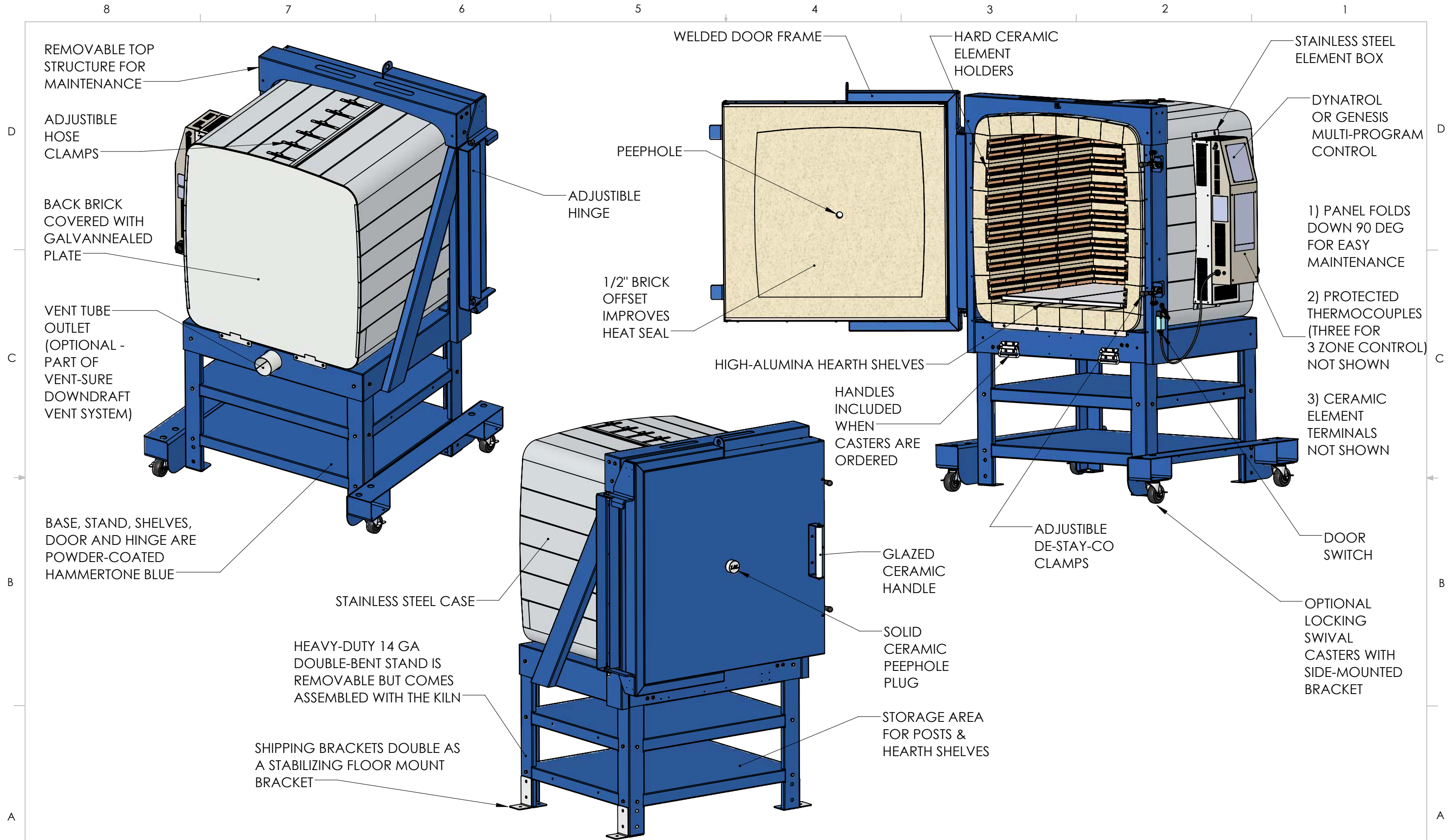
DRAWN BY: SJL
DATE: 04/15/20
SCALE: 1:10
TITLE: eFL2626 (3" BRICK) GENERAL DIMENSIONS

eFL2626 (3" BRICK) GENERAL DIMENSIONS



PH: (856) 294-0077
FAX: (856) 294-0070

REV: B
SHEET OF: 3/4
DRAWING NO.: 200-000-80



FEATURES & OPTIONS

OPTIONAL FURNITURE KIT: (6) 12" [30.4cm] X 24" [60.9cm] RECTANGULAR SHELVES, SIX EACH 1/2", 1", 2", 4", 6" AND 8" SQUARE POSTS

THE INFORMATION CONTAINED IN THIS DRAWING IS THE SOLE PROPERTY OF L&L KILN MFG INC. ANY REPRODUCTION IN PART OR AS A WHOLE WITHOUT THE WRITTEN PERMISSION OF L&L KILN MFG INC. IS PROHIBITED.

DRAWN BY: SJL
 DATE: 04/15/20
 SCALE: 1:14
 TITLE: eFL2626 (3" BRICK) GENERAL DIMENSIONS

eFL2626 (3" BRICK) GENERAL DIMENSIONS



PH: (856) 294-0077
 FAX: (856) 294-0070

REV: B
 SHEET OF: 4/4
 DRAWING NO.: 200-000-80