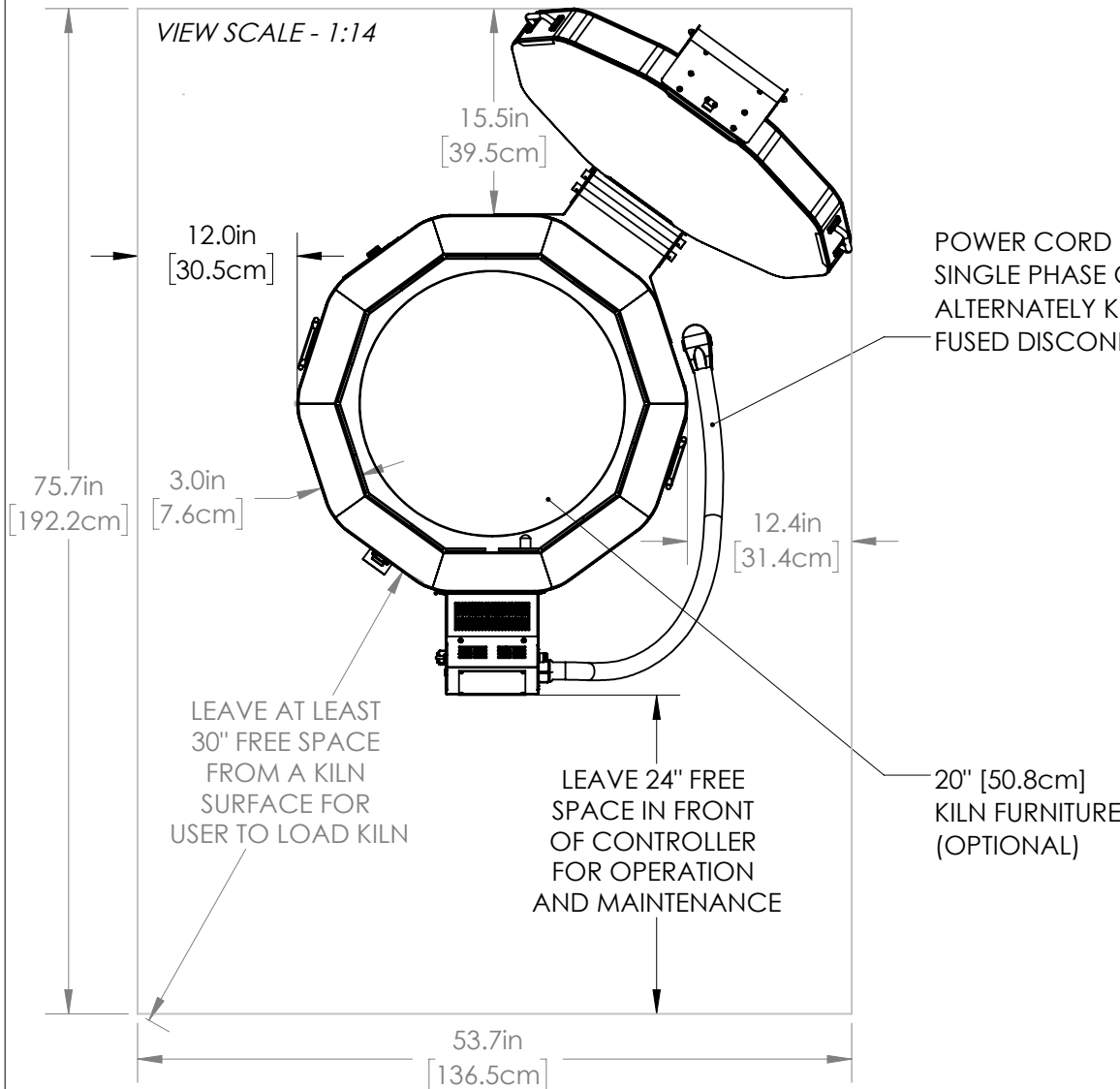


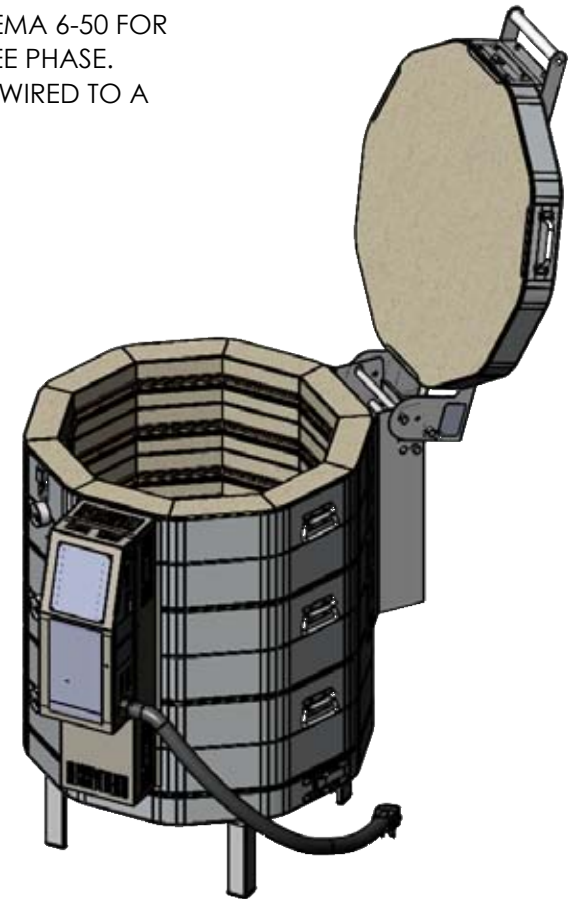
- 1. WALL/KILN SPACING:** 12" [30.5cm] SPACING BETWEEN SIDES OF KILN AND WALLS OR OTHER OBJECTS. 18" [45.7cm] IS RECOMMENDED. LEAVE AT LEAST 18" [45.7cm] BETWEEN TWO KILNS.
- 2. AMBIENT VENTILATION:** SEE CHART TO RIGHT FOR RATINGS. TO CALCULATE REQUIREMENTS, SEE [hotkilns.com/calculate-kiln-room-ventilation](http://hotkilns.com/calculate-kiln-room-ventilation).
- 3. KILN VENTILATION:** L&L VENT-SURE KILN VENT RECOMMENDED FOR SAFETY AND LONGER ELEMENT LIFE. OPTIONAL CONTROL ALLOWS VENT TO BE TURNED ON AND OFF WITH CONTROL.

- 4. OTHER INFO:** REFER TO INSTALLATION INSTRUCTIONS AND CAUTIONS INSTRUCTIONS FOR OTHER REQUIREMENTS AND SAFETY INFORMATION. REFER TO WIRING DIAGRAM FOR ELECTRICAL HOOKUP INFORMATION.
- 5. MAX LOAD WEIGHT:** SEE [hotkilns.com/load-weight](http://hotkilns.com/load-weight).
- 6. WEIGHT OF KILN:** 320 LBS, 146 KG

BTUS/ KILOJOULES PER HOUR NEEDED TO BE VENTED WITH AMBIENT ROOM VENTILATION (THIS IS IN ADDITION TO KILN VENTING):			
AT TEMP F	BTUS	AT TEMP C	KILOJOULES
1800F	11667	980C	12309
2000F	13639	1095C	14390
2232F	16104	1222C	16991
2350F	17430	1285C	18390

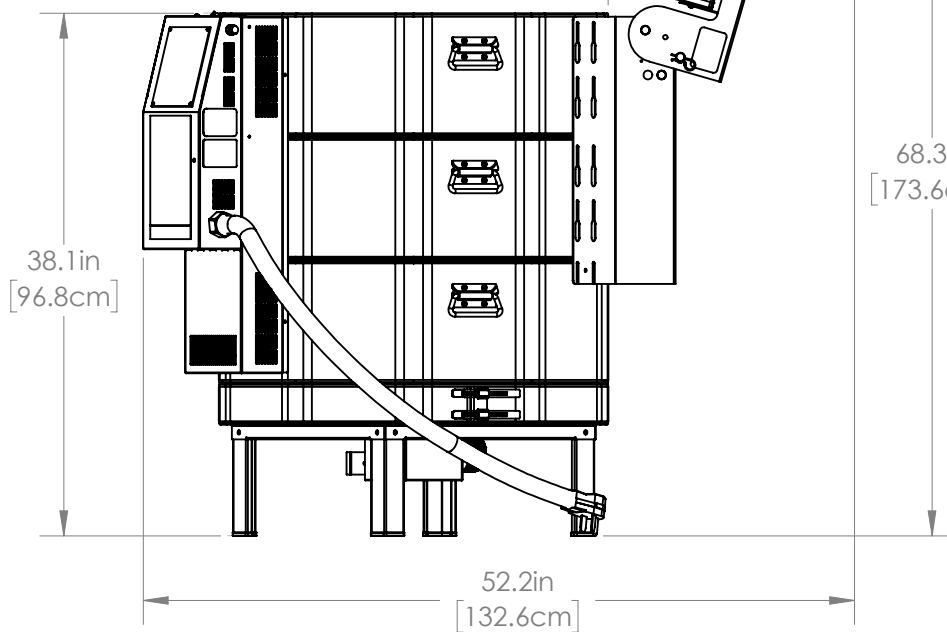
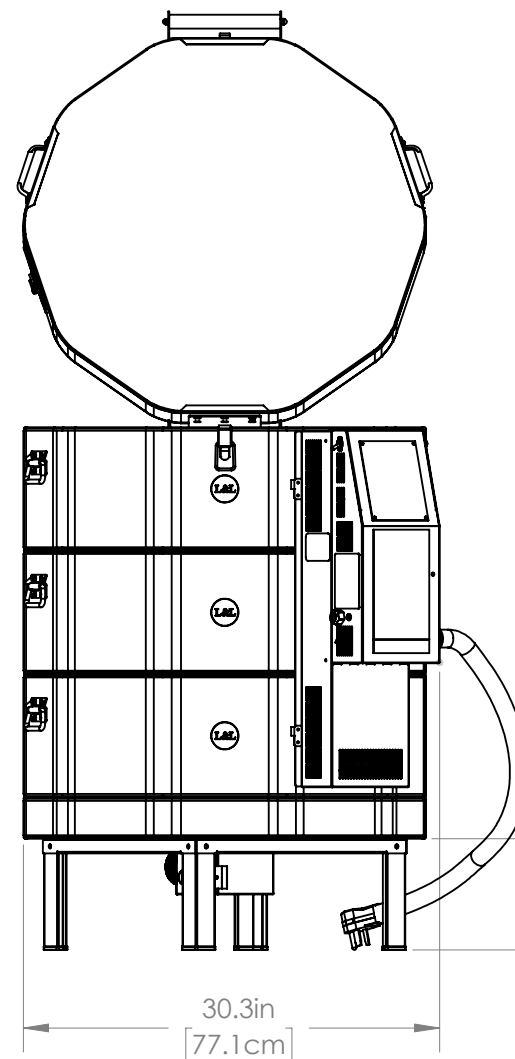
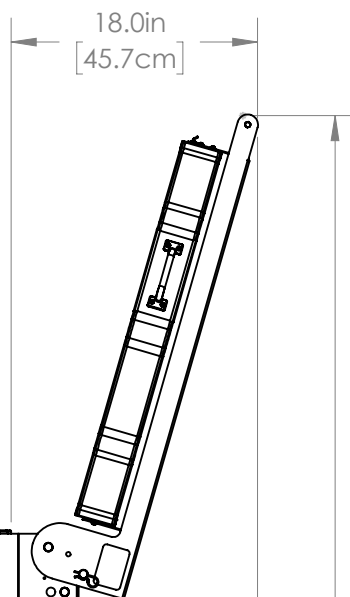
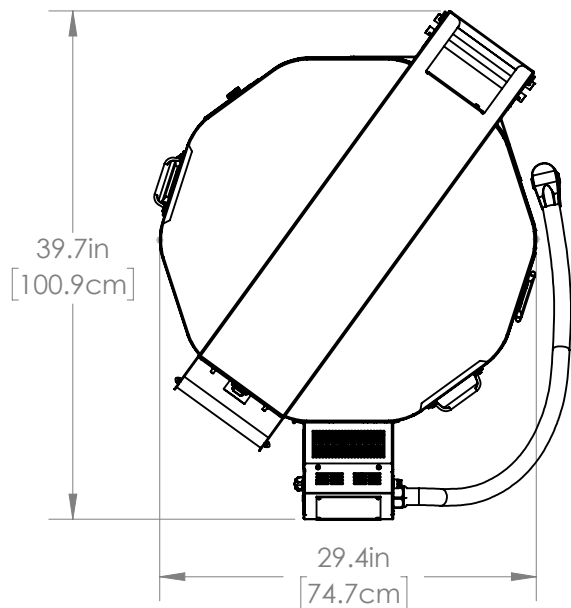


POWER CORD IS 6 FEET LONG: NEMA 6-50 FOR SINGLE PHASE OR 15-50 FOR THREE PHASE. ALTERNATELY KILN MAY BE HARD WIRED TO A FUSED DISCONNECT BOX.



MADE FROM NEW	DRAWN BY SJL	DATE 09/01/19	SCALE 1:16	TITLE e23T-3 (3" BRICK) GENERAL DIMENSIONS
------------------	-----------------	------------------	---------------	---

	505 SHARPTOWN RD SWEDESBORO NJ 08085	REV 0	SHEET OF 1/3	DRAWING NO. 200-000-50-3
	PH: (856) 294-0077 FAX: (856) 294-0070			



MADE FROM  
NEW

DRAWN BY  
S JL

DATE  
09/01/19

SCALE  
1:14

TITLE  
e23T-3 (3" BRICK) GENERAL DIMENSIONS

**LKilns**  
hotkilns.com

505 SHARPTOWN RD  
SWEDESBORO NJ 08085  
PH: (856) 294-0077  
FAX: (856) 294-0070

REV  
0

SHEET OF  
2/3

DRAWING NO.  
200-000-50-3

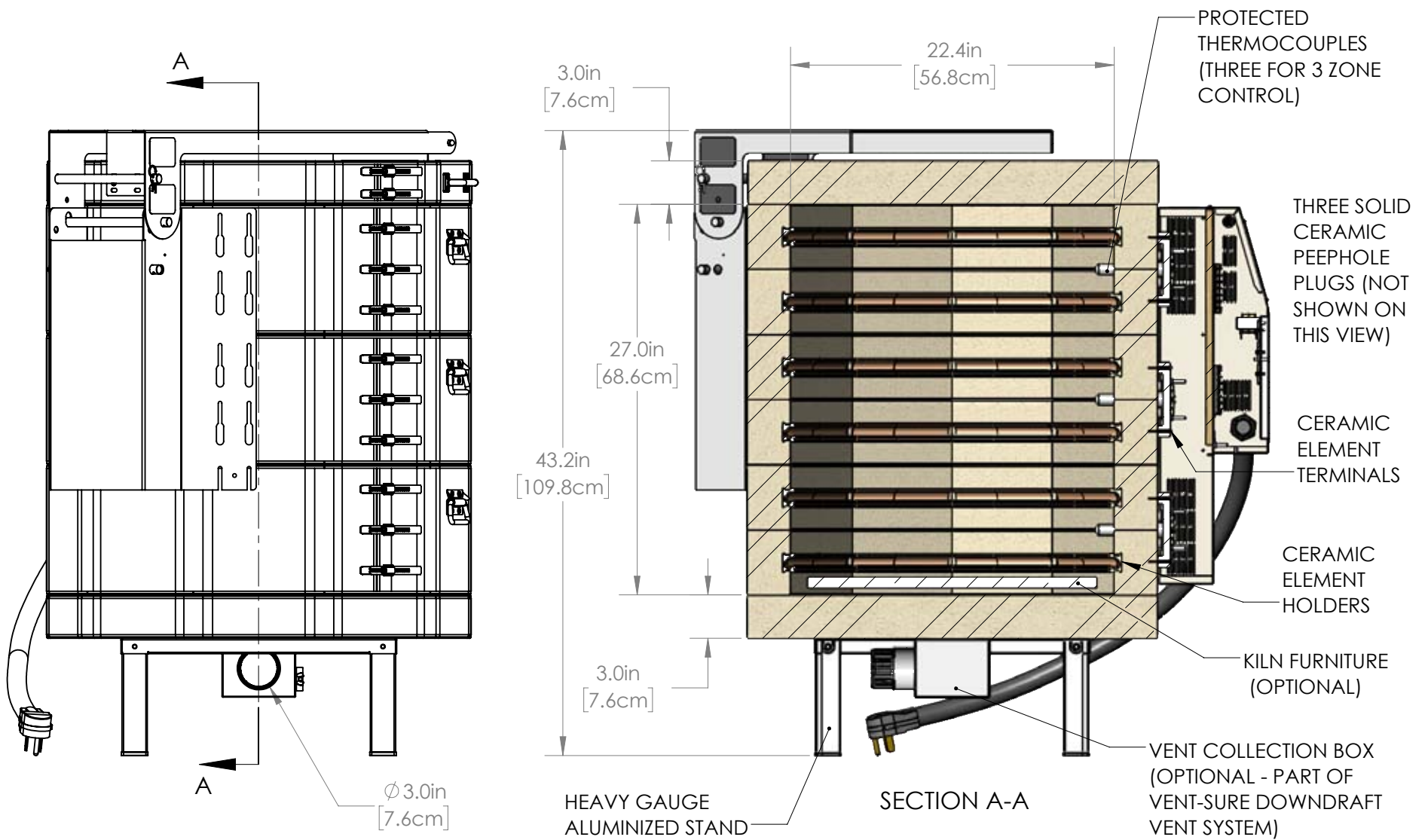
5

4

3

2

1



OPTIONAL FURNITURE KIT: (2) 20" [50.8cm] FULL ROUND SHELVES, (4) HALF ROUND SHELVES, SIX EACH 1/2", 1", 2", 4", 6" & 8" SQUARE POSTS

MADE FROM NEW	DRAWN BY S JL	DATE 09/01/19	SCALE 1:10	TITLE e23T-3 (3" BRICK) GENERAL DIMENSIONS		505 SHARPTOWN RD SWEDESBORO NJ 08085 PH: (856) 294-0077 FAX: (856) 294-0070	REV 0	SHEET OF 3/3	DRAWING NO. 200-000-50-3
------------------	------------------	------------------	---------------	---	---	--	----------	-----------------	-----------------------------