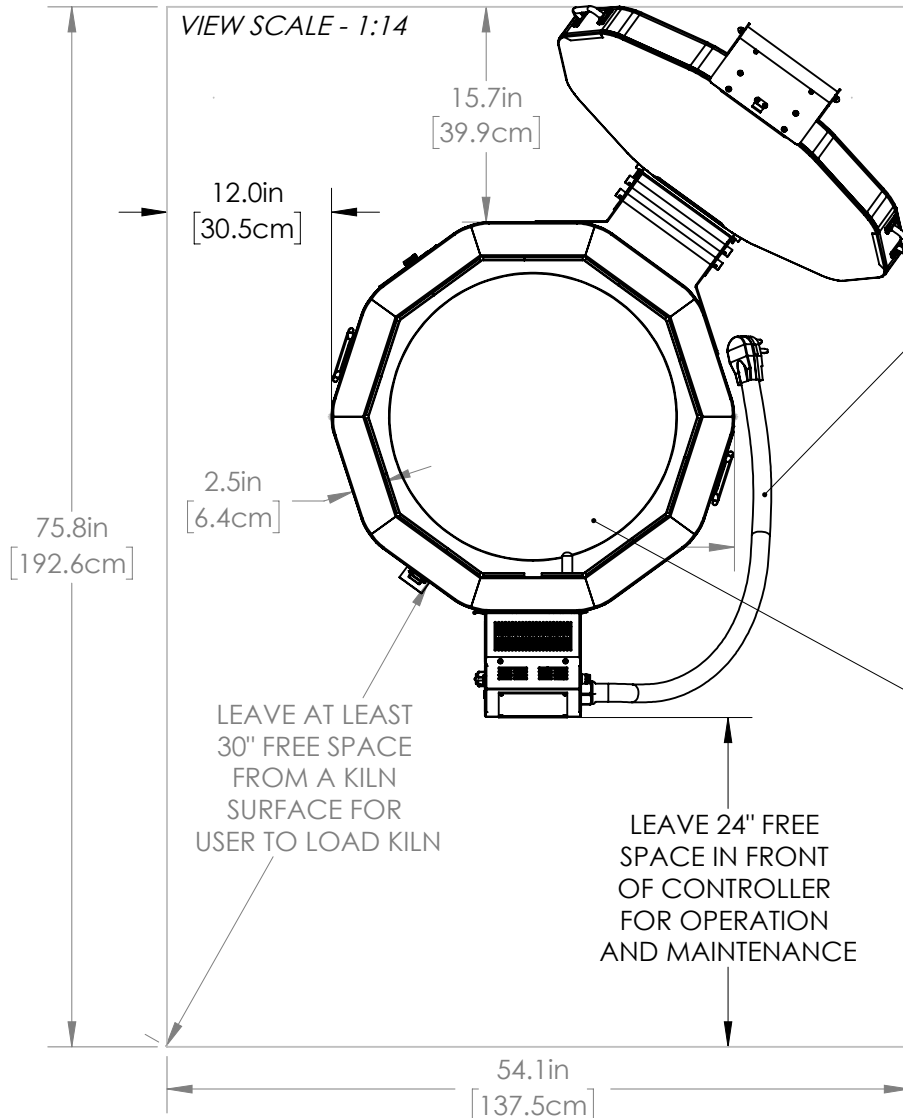


- WALL/KILN SPACING:** 12" [30.5cm] SPACING BETWEEN SIDES OF KILN AND WALLS OR OTHER OBJECTS. 18" [45.7cm] IS RECOMMENDED. LEAVE AT LEAST 18" [45.7cm] BETWEEN TWO KILNS.
- AMBIENT VENTILATION:** SEE CHART TO RIGHT FOR RATINGS. TO CALCULATE REQUIREMENTS, SEE hotkilns.com/calculate-kiln-room-ventilation.
- KILN VENTILATION:** L&L VENT-SURE KILN VENT RECOMMENDED FOR SAFETY AND LONGER ELEMENT LIFE. OPTIONAL CONTROL ALLOWS VENT TO BE TURNED ON AND OFF WITH CONTROL.

- OTHER INFO:** REFER TO INSTALLATION INSTRUCTIONS AND CAUTIONS INSTRUCTIONS FOR OTHER REQUIREMENTS AND SAFETY INFORMATION. REFER TO WIRING DIAGRAM FOR ELECTRICAL HOOKUP INFORMATION.
- MAX LOAD WEIGHT:** SEE hotkilns.com/load-weight.
- WEIGHT OF KILN:** 300 LBS, 137 KG

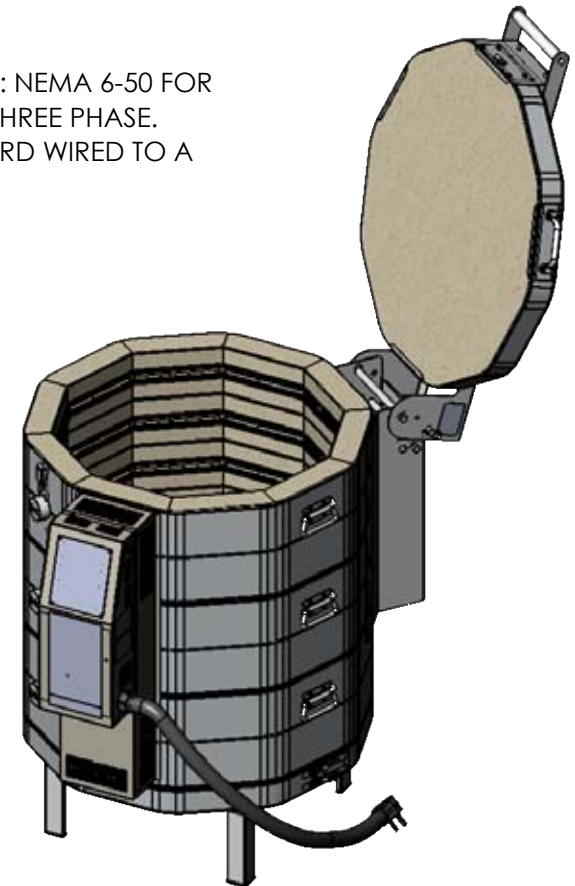
BTUS/ KILOJOULES PER HOUR NEEDED TO BE VENTED WITH AMBIENT ROOM VENTILATION (THIS IS IN ADDITION TO KILN VENTING):

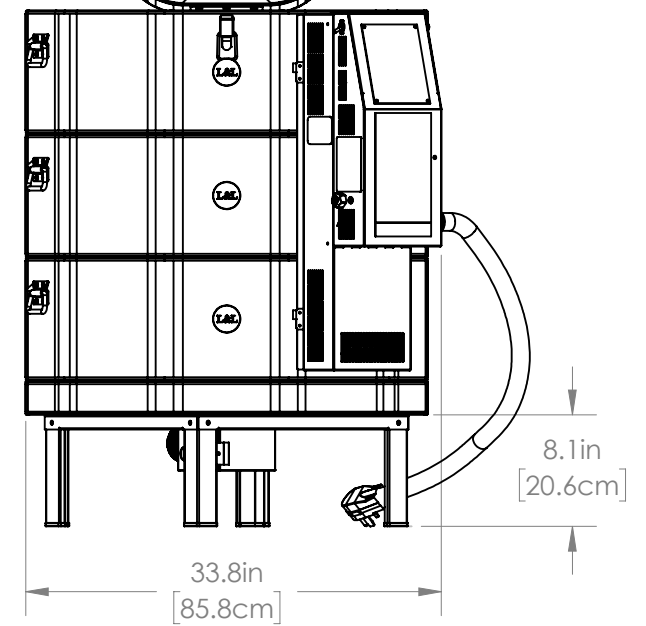
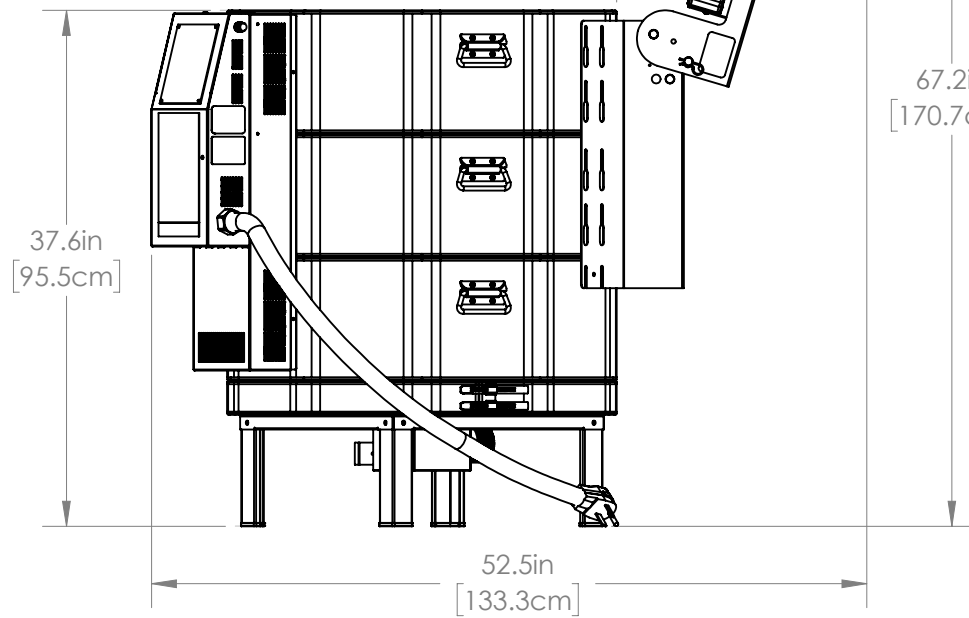
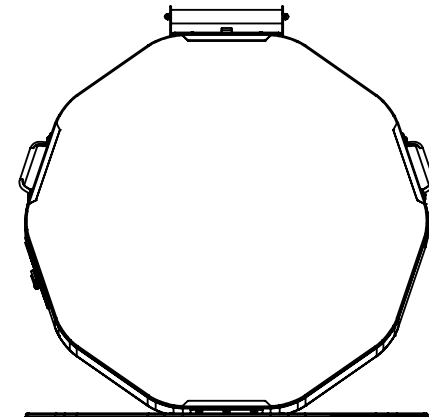
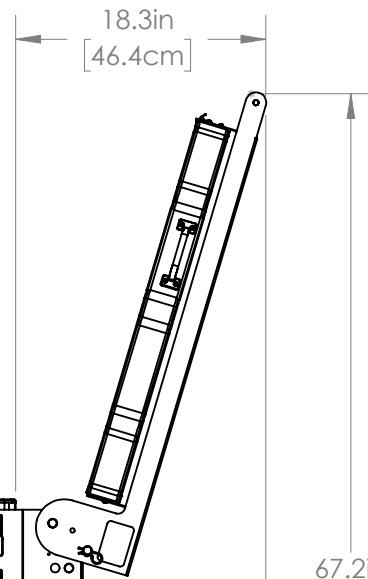
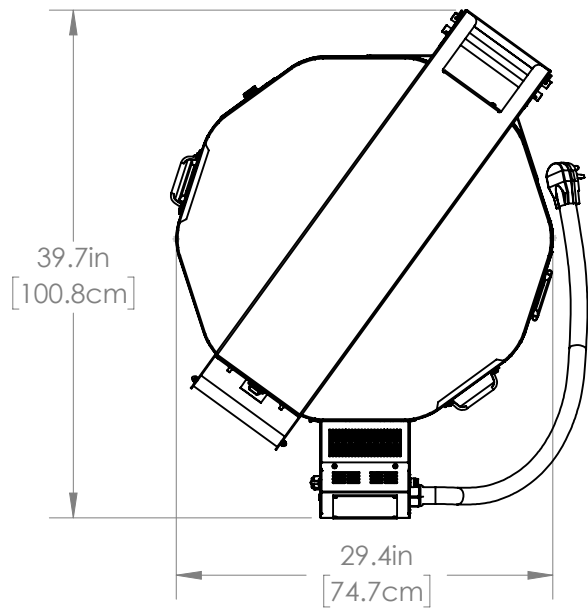
AT TEMP F	BTUS	AT TEMP C	KILOJOULES
1800F	14740	980C	15551
2000F	17233	1095C	18182
2232F	20350	1222C	21471
2350F	22027	1285C	23240



POWER CORD IS 6 FEET LONG: NEMA 6-50 FOR SINGLE PHASE OR 15-50 FOR THREE PHASE. ALTERNATELY KILN MAY BE HARD WIRED TO A FUSED DISCONNECT BOX.

21" [53.3cm] KILN FURNITURE (OPTIONAL)





MADE FROM
NEW

DRAWN BY
SJL

DATE
09/01/19

SCALE
1:14

TITLE
e23T (2.5" BRICK) GENERAL DIMENSIONS

LKilns
hotkilns.com

505 SHARPTOWN RD
SWEDSBORO NJ 08085
PH: (856) 294-0077
FAX: (856) 294-0070

REV
0

SHEET OF
2/3

DRAWING NO.
200-000-45-3

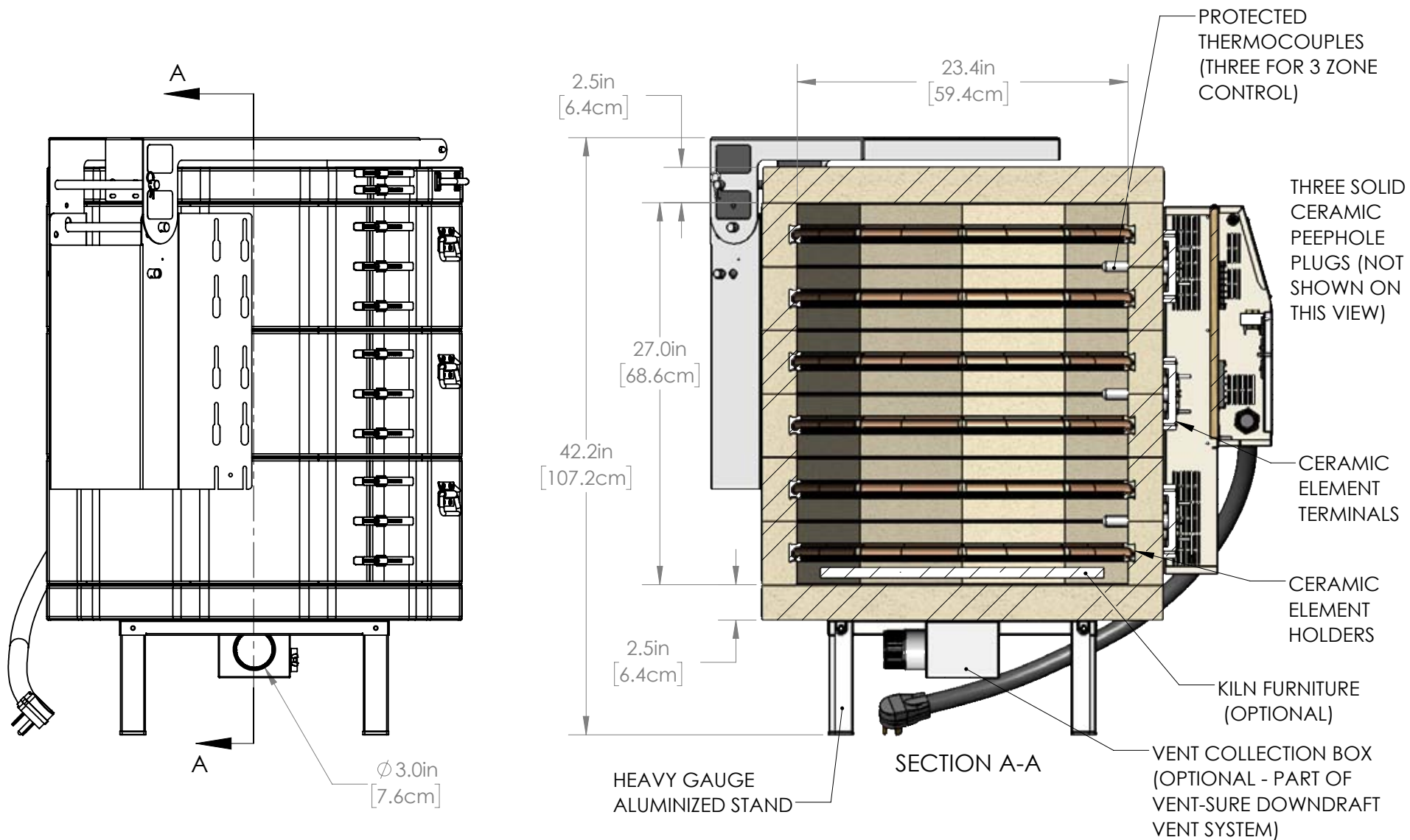
5

4


3

2

1



OPTIONAL FURNITURE KIT: (2) 21" [53.3cm] FULL ROUND SHELVES, (4) HALF ROUND SHELVES, SIX EACH 1/2", 1", 2", 4", 6" & 8" SQUARE POSTS

MADE FROM NEW	DRAWN BY S JL	DATE 09/01/19	SCALE 1:10	TITLE e23T (2.5" BRICK) GENERAL DIMENSIONS		505 SHARPTOWN RD SWEDESBORO NJ 08085 PH: (856) 294-0077 FAX: (856) 294-0070	REV 0	SHEET OF 3/3	DRAWING NO. 200-000-45-3
5			4				2		1