

**NOTES:**

Control Wire:  
16 AWG, 105°C  
Power Wire:  
10 AWG, 150°C

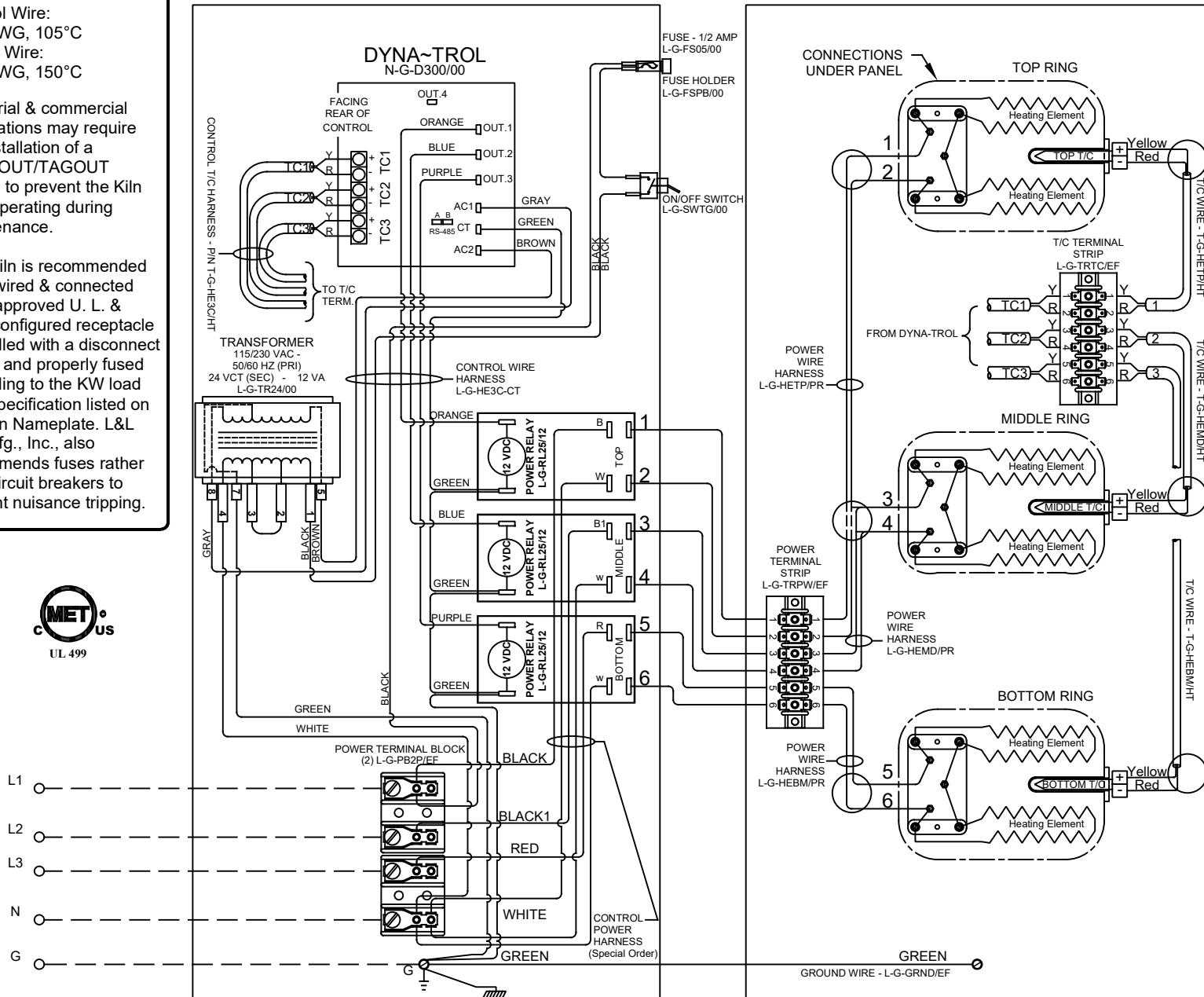
Industrial & commercial applications may require the installation of a LOCKOUT/TAGOUT device to prevent the Kiln from operating during maintenance.

This Kiln is recommended to be wired & connected to an approved U. L. & NEC configured receptacle controlled with a disconnect switch and properly fused according to the KW load specification listed on the Kiln Nameplate. L&L Kiln Mfg., Inc., also recommends fuses rather than circuit breakers to prevent nuisance tripping.



LOOKING INSIDE CONTROL PANEL

LOOKING AT OUTSIDE OF ELEMENT COVER PANEL



Model e28T-380-3PY	
VOLTAGE	380 / 3-Y / 50-60
WATTS	15,060
FULL LOAD AMPS	L1   L2   L3 22.8   22.8   22.8
POWER SUPPLY	FUSE   WIRE 30A   10 AWG
ELEMENTS	QTY   OHMS 6   18.6

Model e28T-400-3PY	
VOLTAGE	400 / 3-Y / 50-60
WATTS	17102
FULL LOAD AMPS	L1   L2   L3 24.8   24.8   24.8
POWER SUPPLY	FUSE   WIRE 40A   8 AWG
ELEMENTS	QTY   OHMS 6   18.6

Model e28T-415-3PY	
VOLTAGE	415 / 3-Y / 50-60
WATTS	16620
FULL LOAD AMPS	L1   L2   L3 23.1   23.1   23.1
POWER SUPPLY	FUSE   WIRE 30A   10 AWG
ELEMENTS	QTY   OHMS 6   20.0

SAFETY SWITCH BY CUSTOMER  
Connect to

380V or 400V or 415V Volt, 4 Wire, 3 Phase Wye  
50 or 60 Cycles.