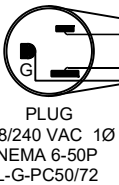


NOTES:

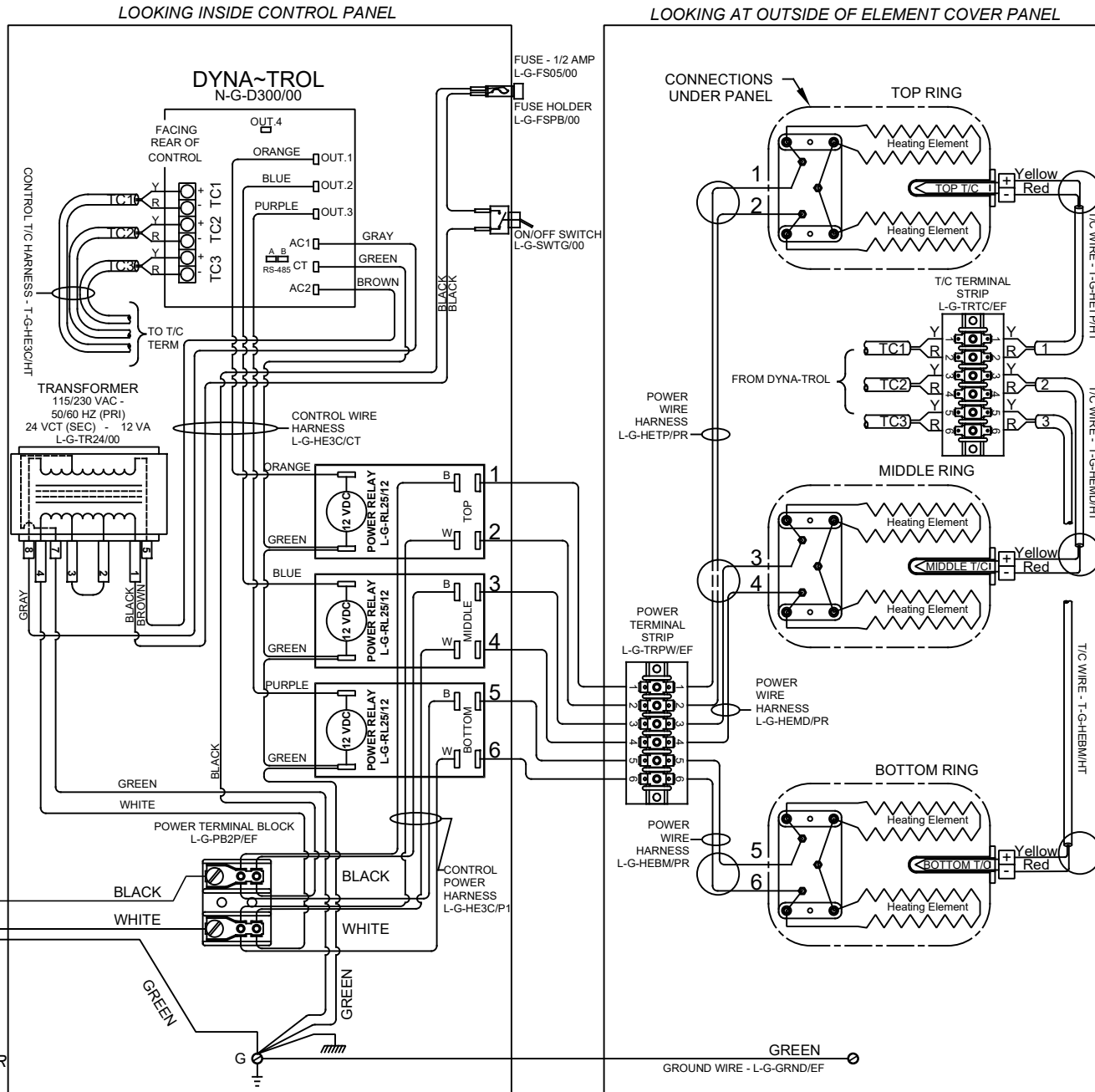
Control Wire:
16 AWG, 105°C
Power Wire:
10 AWG, 150°C

Industrial & commercial applications may require the installation of a LOCKOUT/TAGOUT device to prevent the Kiln from operating during maintenance.

This Kiln is recommended to be wired & connected to an approved U. L. & NEC configured receptacle controlled with a disconnect switch and properly fused according to the KW load specification listed on the Kiln Nameplate. L&L Kiln Mfg., Inc., also recommends fuses rather than circuit breakers to prevent nuisance tripping.



SAFETY SWITCH BY CUSTOMER
Connect to
208 or 240 V, 2 Wire, Single Phase
50 or 60 Cycles.



Model e28T-208	
VOLTAGE	208 / 1 / 50-60
WATTS	9985
FULL LOAD AMPS	L1 L2 L3
	48.0 48.0
POWER SUPPLY	FUSE WIRE
	60 A 6 AWG
ELEMENTS E-E-28TL/21	QTY OHMS
	6 25.0

Model e28T-240	
VOLTAGE	240 / 1 / 50-60
WATTS	11,520
FULL LOAD AMPS	L1 L2 L3
	48.0 48.0
POWER SUPPLY	FUSE WIRE
	60 A 6 AWG
ELEMENTS E-E-28TL/31	QTY OHMS
	6 28.9

REV. #	DATE	REVISION DESCRIPTION