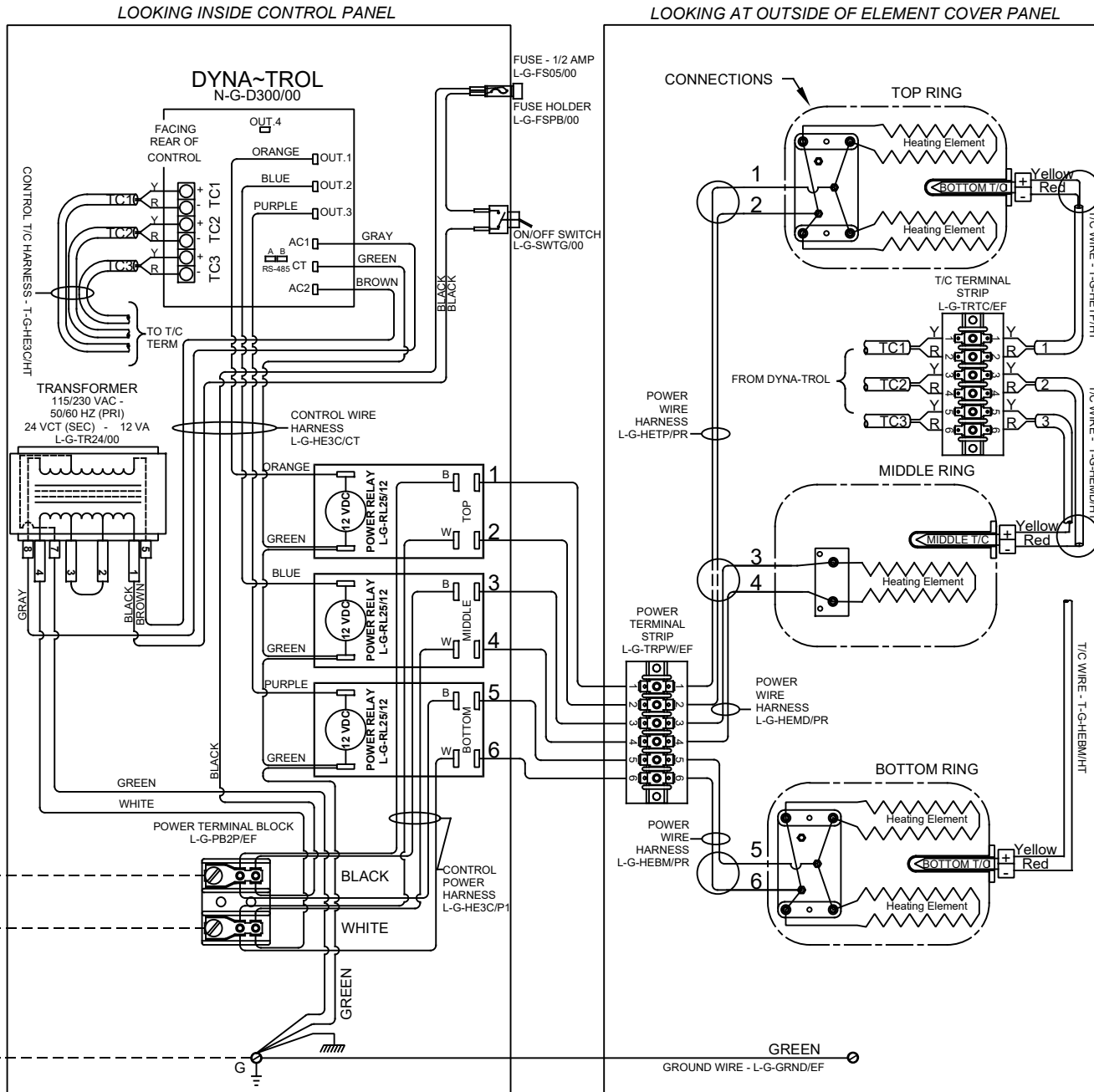


**NOTES:**

Control Wire:  
16 AWG, 105°C  
Power Wire:  
10 AWG, 150°C

Industrial & commercial applications may require the installation of a LOCKOUT/TAGOUT device to prevent the Kiln from operating during maintenance.

This Kiln is recommended to be wired & connected to an approved U. L. & NEC configured receptacle controlled with a disconnect switch and properly fused according to the KW load specification listed on the Kiln Nameplate. L&L Kiln Mfg., Inc., also recommends fuses rather than circuit breakers to prevent nuisance tripping.



<b>Model e28M-220</b>	
VOLTAGE	220 / 1 / 50-60
WATTS	10,560
FULL LOAD AMPS	L1   L2   L3
	48.0   48.0
POWER SUPPLY	FUSE   WIRE
	60A   6AWG
ELEMENTS E-E-28ML/41	QTY   OHMS
	5   22.1

**SAFETY SWITCH BY CUSTOMER**  
Connect to  
220 Volt, 2 Wire, Single Phase  
50 or 60 Cycles.

REV. #	DATE	REVISION DESCRIPTION