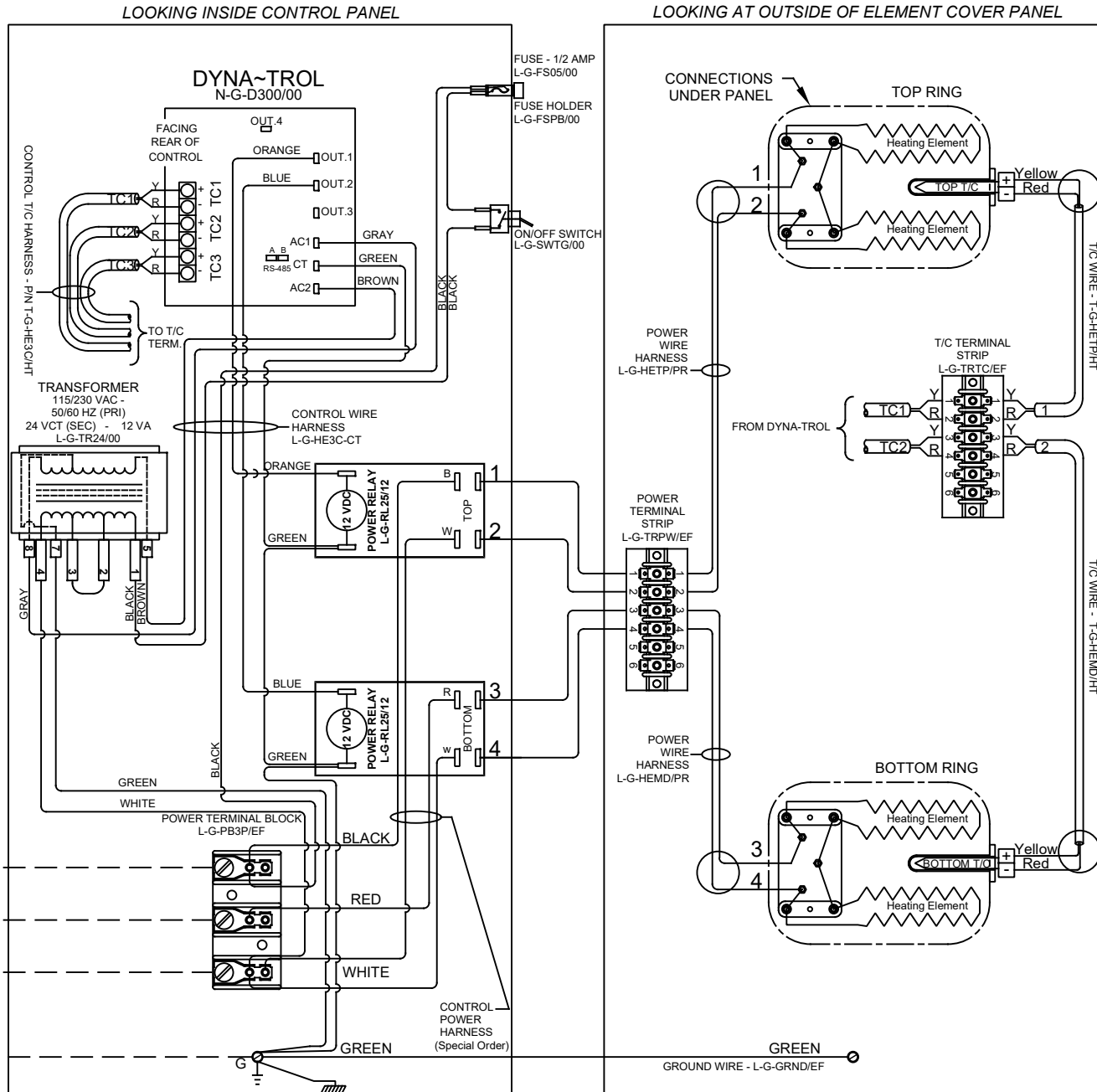
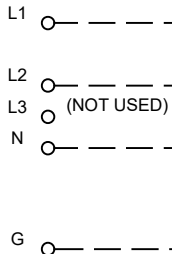


NOTES:

Control Wire:
16 AWG, 105°C
Power Wire:
10 AWG, 150°C

Industrial & commercial applications may require the installation of a LOCKOUT/TAGOUT device to prevent the Kiln from operating during maintenance.

This Kiln is recommended to be wired & connected to an approved U. L. & NEC configured receptacle controlled with a disconnect switch and properly fused according to the KW load specification listed on the Kiln Nameplate. L&L Kiln Mfg., Inc., also recommends fuses rather than circuit breakers to prevent nuisance tripping.



SAFETY SWITCH BY CUSTOMER
Connect to
380V or 400V or 415V Volt, 4 Wire, 3 Phase Wye
50 or 60 Cycles.

Model e28S-380-3PY	
VOLTAGE	380 / 3-Y / 50-60
WATTS	10,500
FULL LOAD AMPS	L1 L2 L3 23.9 23.9 0
POWER SUPPLY	FUSE WIRE 30A 10 AWG
ELEMENTS	QTY OHMS 4 17.7

Model e28S-400-3PY	
VOLTAGE	400 / 3-Y / 50-60
WATTS	11923
FULL LOAD AMPS	L1 L2 L3 25.9 25.9 0
POWER SUPPLY	FUSE WIRE 40 8 AWG
ELEMENTS	QTY OHMS 4 17.7

Model e28S-415-3PY	
VOLTAGE	415 / 3-Y / 50-60
WATTS	10,500
FULL LOAD AMPS	L1 L2 L3 24.0 24.0 0
POWER SUPPLY	FUSE WIRE 30A 10 AWG
ELEMENTS	QTY OHMS 4 17.65

REV. #	DATE	REVISION DESCRIPTION