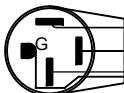


**NOTES:**

Control Wire:  
16 AWG, 105°C  
Power Wire:  
10 AWG, 150°C

Industrial & commercial applications may require the installation of a LOCKOUT/TAGOUT device to prevent the Kiln from operating during maintenance.

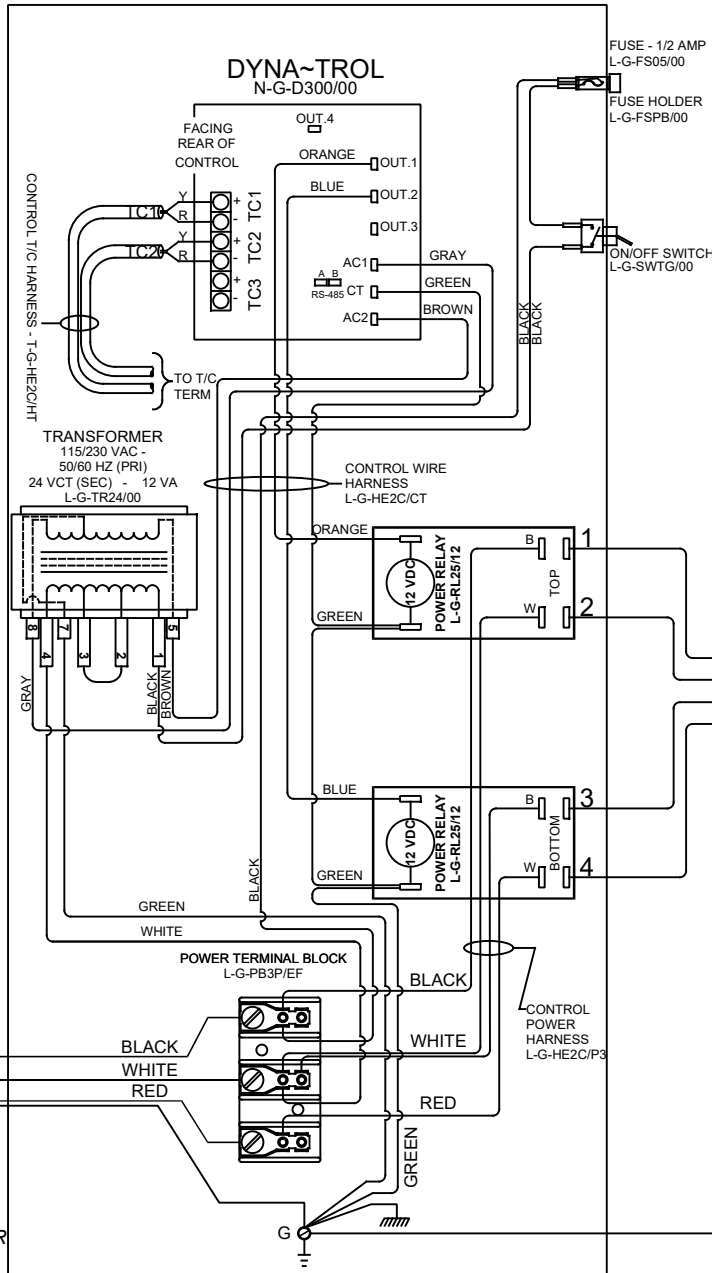
This Kiln is recommended to be wired & connected to an approved U. L. & NEC configured receptacle controlled with a disconnect switch and properly fused according to the KW load specification listed on the Kiln Nameplate. L&L Kiln Mfg., Inc., also recommends fuses rather than circuit breakers to prevent nuisance tripping.



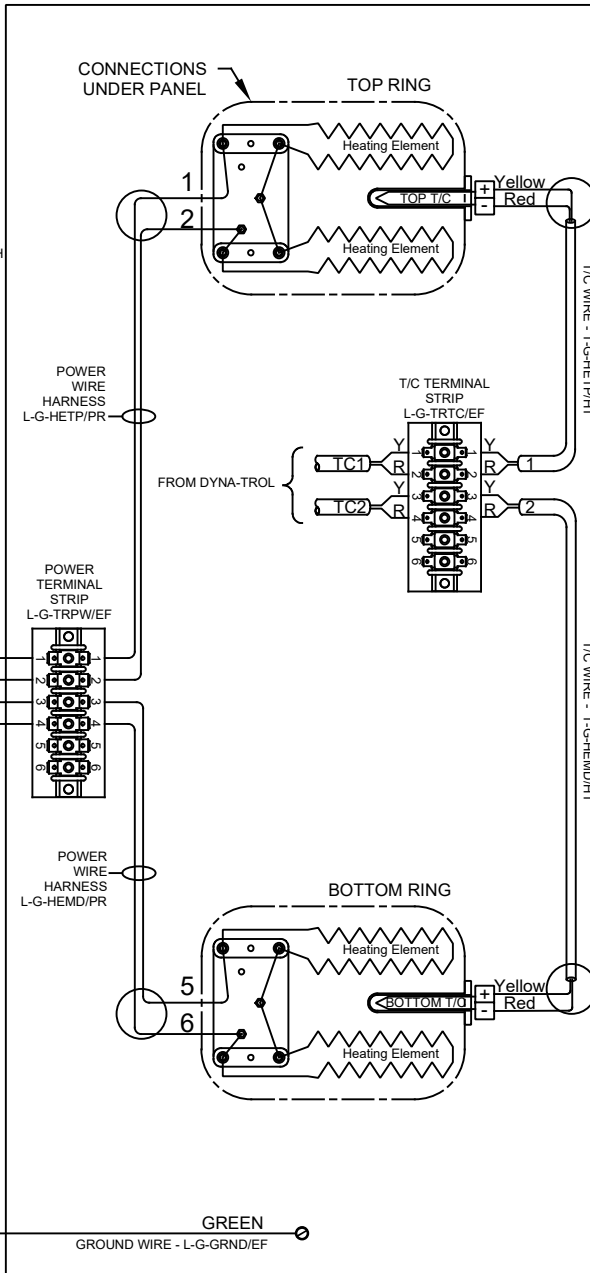
PLUG  
208/240 VAC 3Ø  
NEMA 15-50P  
L-G-PC50/3P

**SAFETY SWITCH BY CUSTOMER**  
Connect to  
240 Volt, 2 Wire, Single Phase - or  
208 Volt, 2 Wire, Single Phase  
50 or 60 Cycles.

**LOOKING INSIDE CONTROL PANEL**



**LOOKING AT OUTSIDE OF ELEMENT COVER PANEL**



Model e28S-208-3P			
VOLTAGE	208 / 3 / 50-60		
WATTS	9985		
FULL LOAD AMPS	L1	L2	L3
	41.6	24.0	24.0
POWER SUPPLY	FUSE	WIRE	
	60A	6 AWG	
ELEMENTS	QTY	OHMS	
E-E-28SL/21	4	16.7	

Model e28S-240-3P			
VOLTAGE	240 / 3 / 50-60		
WATTS	11,520		
FULL LOAD AMPS	L1	L2	L3
	41.6	24.0	24.0
POWER SUPPLY	FUSE	WIRE	
	60A	6 AWG	
ELEMENTS	QTY	OHMS	
E-E-28SL/31	4	19.3	

REV. #	DATE	REVISION DESCRIPTION