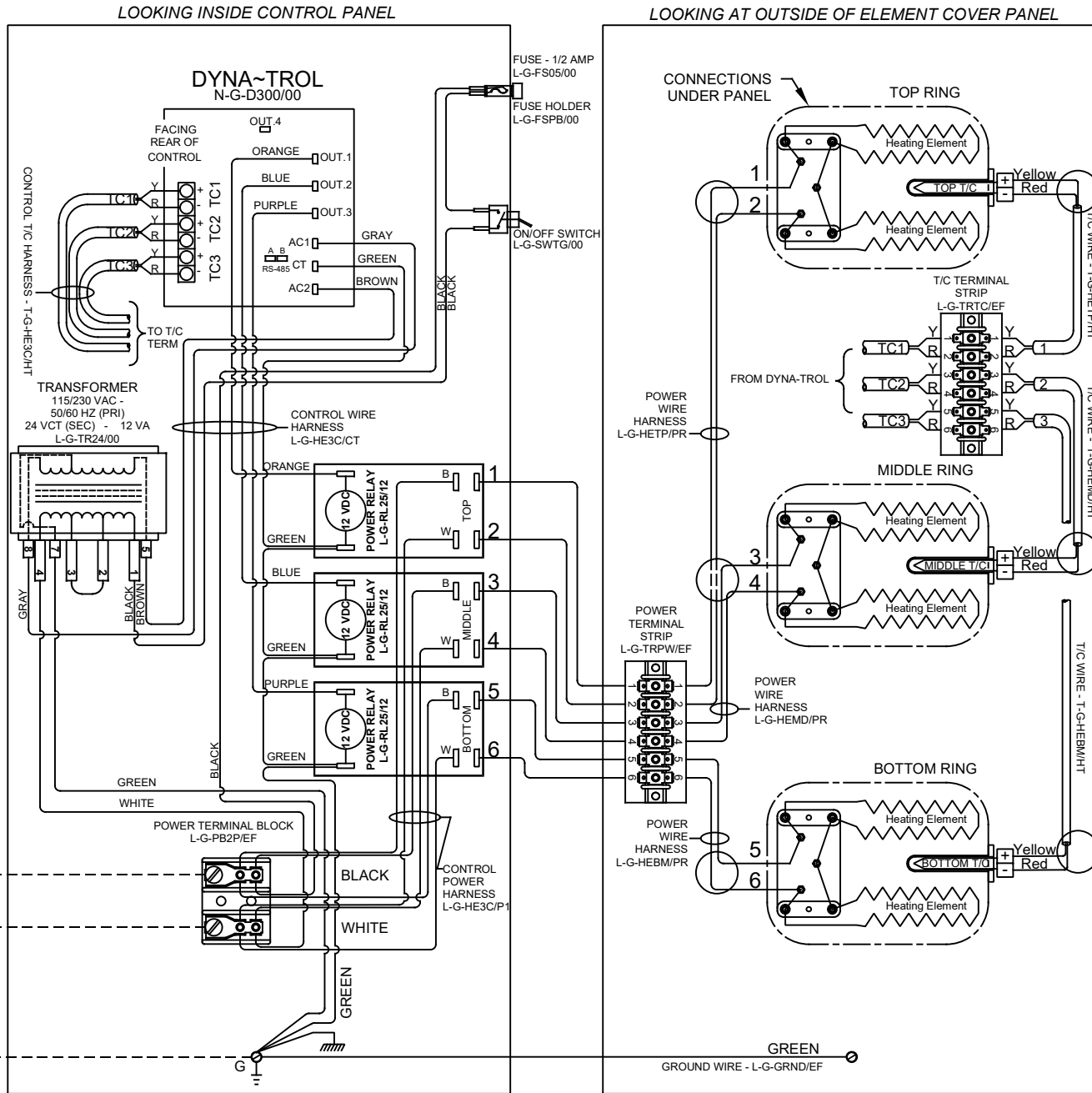


NOTES:

Control Wire:
16 AWG, 105°C
Power Wire:
10 AWG, 150°C

Industrial & commercial applications may require the installation of a LOCKOUT/TAGOUT device to prevent the Kiln from operating during maintenance.

This Kiln is recommended to be wired & connected to an approved U. L. & NEC configured receptacle controlled with a disconnect switch and properly fused according to the KW load specification listed on the Kiln Nameplate. L&L Kiln Mfg., Inc., also recommends fuses rather than circuit breakers to prevent nuisance tripping.



Model e23T-220	
VOLTAGE	220 / 1 / 50-60
WATTS	10,560
FULL LOAD AMPS	L1 L2 L3
	48.0 48.0
POWER SUPPLY	FUSE WIRE
	60A 6 AWG
ELEMENTS E-E-23TL/41	QTY OHMS
	6 26.5

SAFETY SWITCH BY CUSTOMER
Connect to
220 Volt, 2 Wire, Single Phase
50 or 60 Cycles.

REV. #	DATE	REVISION DESCRIPTION