

NOTES:

Control Wire:
16 AWG, 105°C
Power Wire:
10 AWG, 150°C

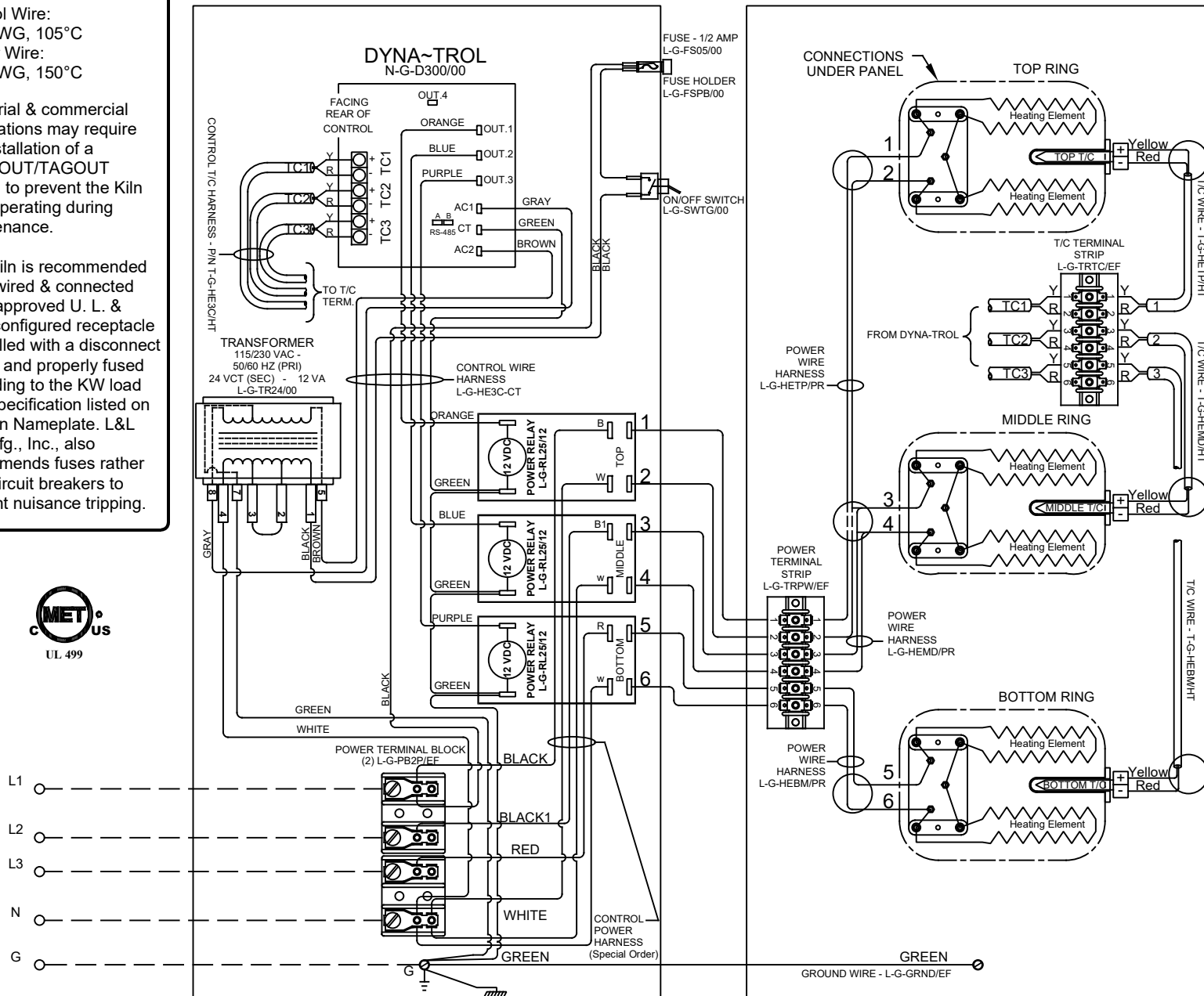
Industrial & commercial applications may require the installation of a LOCKOUT/TAGOUT device to prevent the Kiln from operating during maintenance.

This Kiln is recommended to be wired & connected to an approved U. L. & NEC configured receptacle controlled with a disconnect switch and properly fused according to the KW load load specification listed on the Kiln Nameplate. L&L Kiln Mfg., Inc., also recommends fuses rather than circuit breakers to prevent nuisance tripping.



LOOKING INSIDE CONTROL PANEL

LOOKING AT OUTSIDE OF ELEMENT COVER PANEL



Model e23T-380-3PY	
VOLTAGE	380 / 3-Y / 50-60
WATTS	11,400
FULL LOAD AMPS	L1 L2 L3 17.3 17.3 17.3
POWER SUPPLY	FUSE WIRE 25A 12 AWG
ELEMENTS	QTY OHMS 6 24.5

Model e23T-400-3PY	
VOLTAGE	400 / 3-Y / 50-60
WATTS	12945
FULL LOAD AMPS	L1 L2 L3 18.8 18.8 18.8
POWER SUPPLY	FUSE WIRE 25A 12 AWG
ELEMENTS	QTY OHMS 6 24.5

Model e23T-415-3PY	
VOLTAGE	415 / 3-Y / 50-60
WATTS	11,520
FULL LOAD AMPS	L1 L2 L3 16.0 16.0 16.0
POWER SUPPLY	FUSE WIRE 20A 14 AWG
ELEMENTS	QTY OHMS 6 28.9

SAFETY SWITCH BY CUSTOMER
Connect to
380V or 400V or 415V Volt, 4 Wire, 3 Phase Wye
50 or 60 Cycles.

REV. #	DATE	REVISION DESCRIPTION