

NOTES:

Control Wire:
16 AWG, 105°C
Power Wire:
10 AWG, 150°C

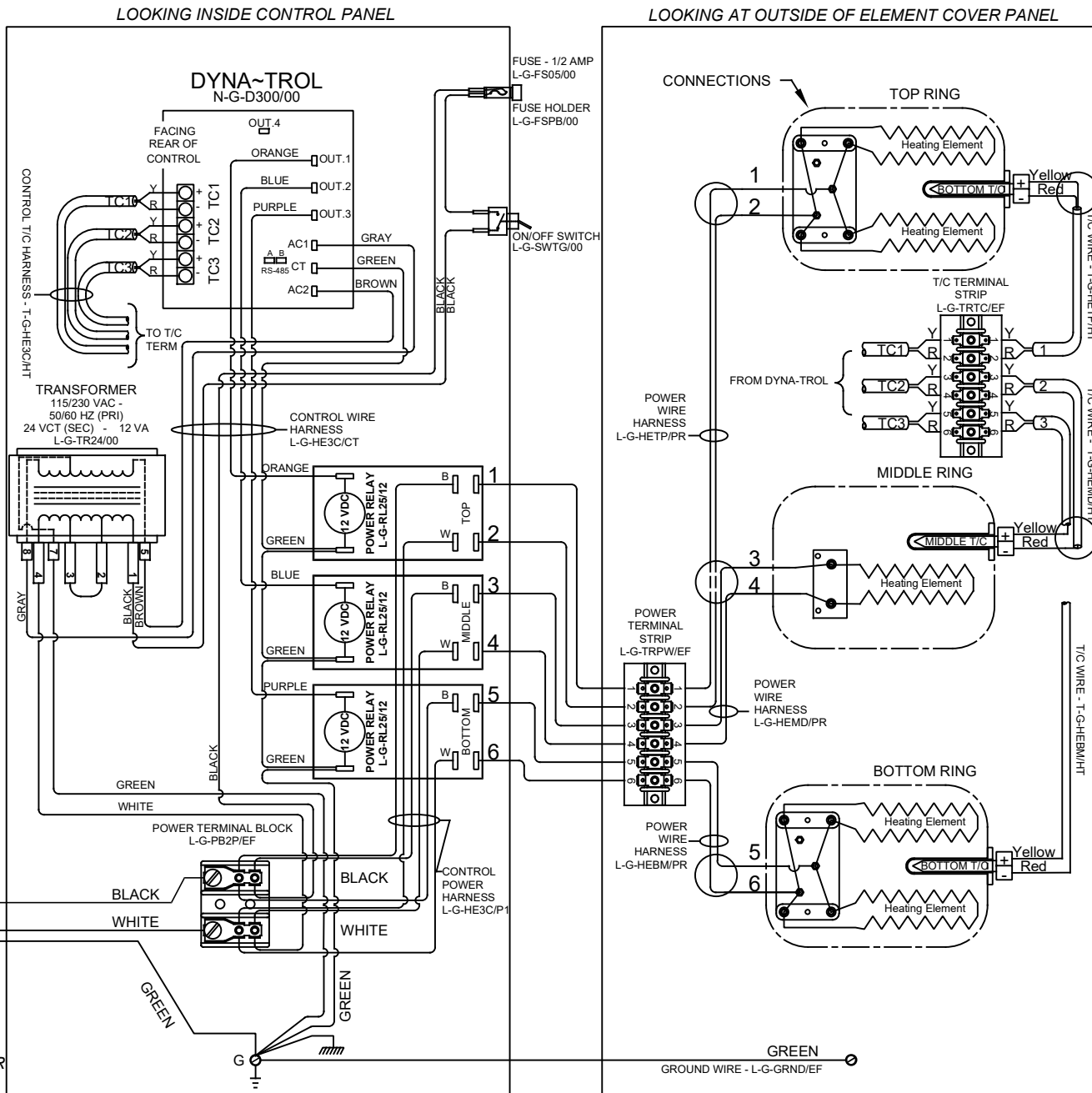
Industrial & commercial applications may require the installation of a LOCKOUT/TAGOUT device to prevent the Kiln from operating during maintenance.

This Kiln is recommended to be wired & connected to an approved U. L. & NEC configured receptacle controlled with a disconnect switch and properly fused according to the KW load specification listed on the Kiln Nameplate. L&L Kiln Mfg., Inc., also recommends fuses rather than circuit breakers to prevent nuisance tripping.



PLUG
208/240 VAC 1Ø
NEMA 6-50P
L-G-PC50/72

SAFETY SWITCH BY CUSTOMER
Connect to
240 Volt, 2 Wire, Single Phase - or
208 Volt, 2 Wire, Single Phase
50 or 60 Cycles.



Model e23M-208			
VOLTAGE	208 / 1 / 50-60		
WATTS	9985		
FULL LOAD AMPS	L1	L2	L3
	48.0	48.0	
POWER SUPPLY	FUSE	WIRE	
	60A	6AWG	
ELEMENTS E-E-23ML/21	QTY	OHMS	
	5	20.9	

Model e23M-240			
VOLTAGE	240 / 1 / 50-60		
WATTS	11,520		
FULL LOAD AMPS	L1	L2	L3
	48.0	48.0	
POWER SUPPLY	FUSE	WIRE	
	60 A	6 AWG	
ELEMENTS E-E-23ML/31	QTY	OHMS	
	5	24.1	

DRAWING NO.	SHEET OF	REV
E285-100	1/1	0

L&L Kilns
hotkilns.com

505 SHARPTOWN RD.
SWEDESBORO, NJ 08085
PHONE: (856) 294-0077
FAX: (856) 294-0070

TITLE **E23M SERIES EASY-FIRE KILN
1 PHASE WIRING DIAGRAM**

SCALE **1 = 8**

DATE **10/08/19**

DRAWN BY **T.C.G.**

FILE NAME **\E285-100.dwg**

MADE FROM **\K286-158.dwg**

REV. #	DATE	REVISION DESCRIPTION