

NOTES:

Control Wire:
16 AWG, 105°C
Power Wire:
10 AWG, 150°C

Industrial & commercial applications may require the installation of a LOCKOUT/TAGOUT device to prevent the Kiln from operating during maintenance.

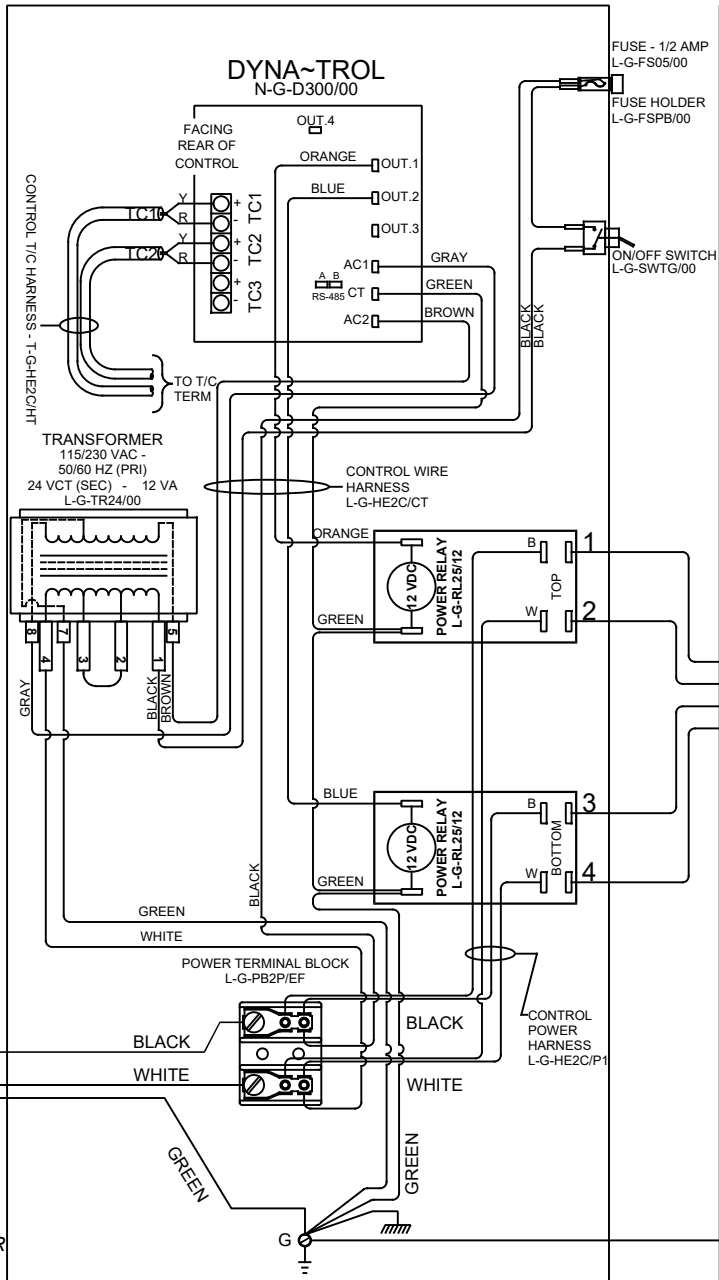
This Kiln is recommended to be wired & connected to an approved U. L. & NEC configured receptacle controlled with a disconnect switch and properly fused according to the KW load load specification listed on the Kiln Nameplate. L&L Kiln Mfg., Inc., also recommends fuses rather than circuit breakers to prevent nuisance tripping.



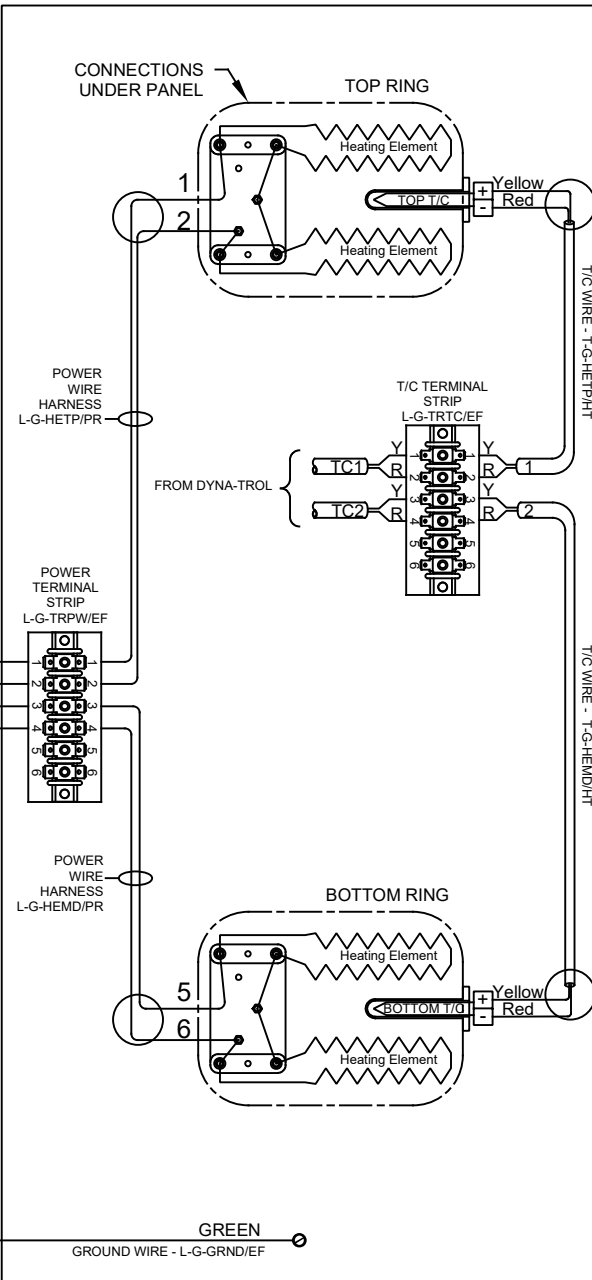
PLUG
208/240 VAC 1Ø
NEMA 6-50P
L-G-PC50/72

SAFETY SWITCH BY CUSTOMER
Connect to
240 Volt, 2 Wire, Single Phase - or
208 Volt, 2 Wire, Single Phase
50 or 60 Cycles.

LOOKING INSIDE CONTROL PANEL



LOOKING AT OUTSIDE OF ELEMENT COVER PANEL



Model e23S-208			
VOLTAGE	208 / 1 / 50-60		
WATTS	8,320		
FULL LOAD AMPS	L1	L2	L3
	40.0	40.0	∞
POWER SUPPLY	FUSE	WIRE	
	50A	6 AWG	
ELEMENTS E-E-23SL/21	QTY	OHMS	
	4	20.0	

Model e23S-240			
VOLTAGE	240 / 1 / 50-60		
WATTS	9,460		
FULL LOAD AMPS	L1	L2	L3
	39.4	39.4	∞
POWER SUPPLY	FUSE	WIRE	
	50A	6 AWG	
ELEMENTS E-E-23SL/31	QTY	OHMS	
	4	23.4	

REV. #	DATE	REVISION DESCRIPTION