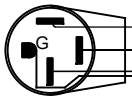


NOTES:

Control Wire:
16 AWG, 105°C
Power Wire:
10 AWG, 150°C

Industrial & commercial applications may require the installation of a LOCKOUT/TAGOUT device to prevent the Kiln from operating during maintenance.

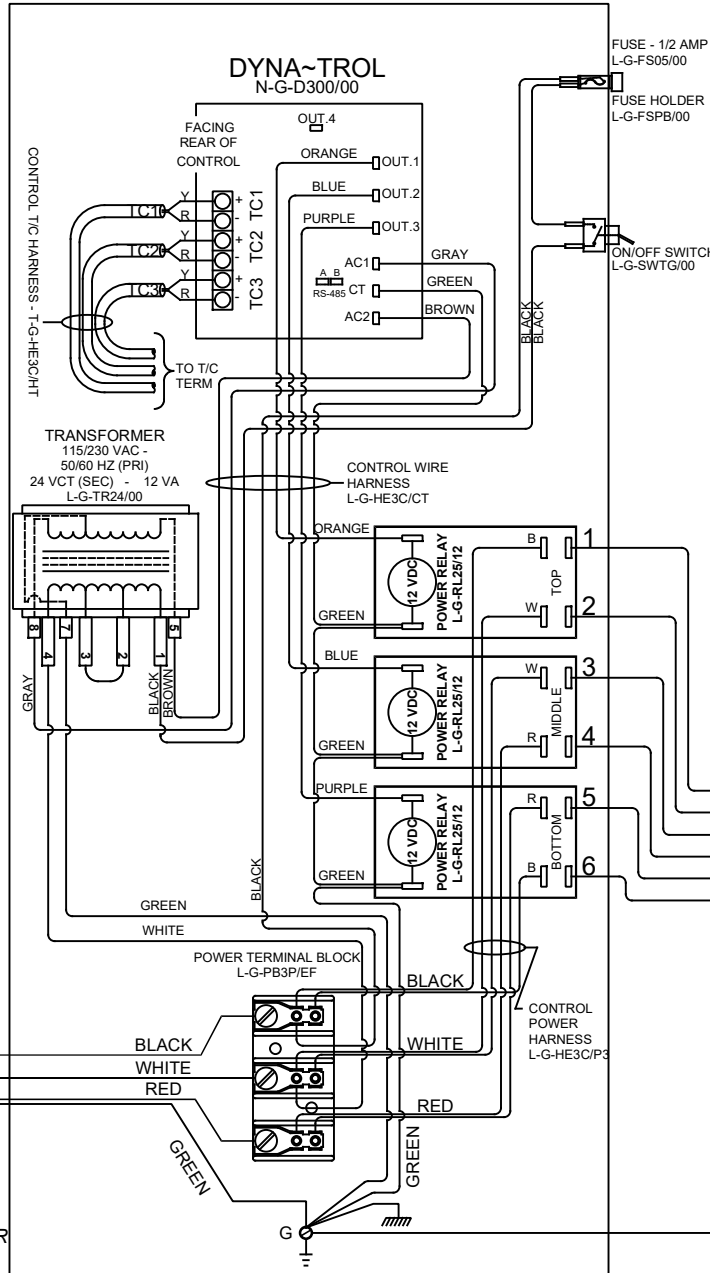
This Kiln is recommended to be wired & connected to an approved U. L. & NEC configured receptacle controlled with a disconnect switch and properly fused according to the KW load load specification listed on the Kiln Nameplate. L&L Kiln Mfg., Inc., also recommends fuses rather than circuit breakers to prevent nuisance tripping.



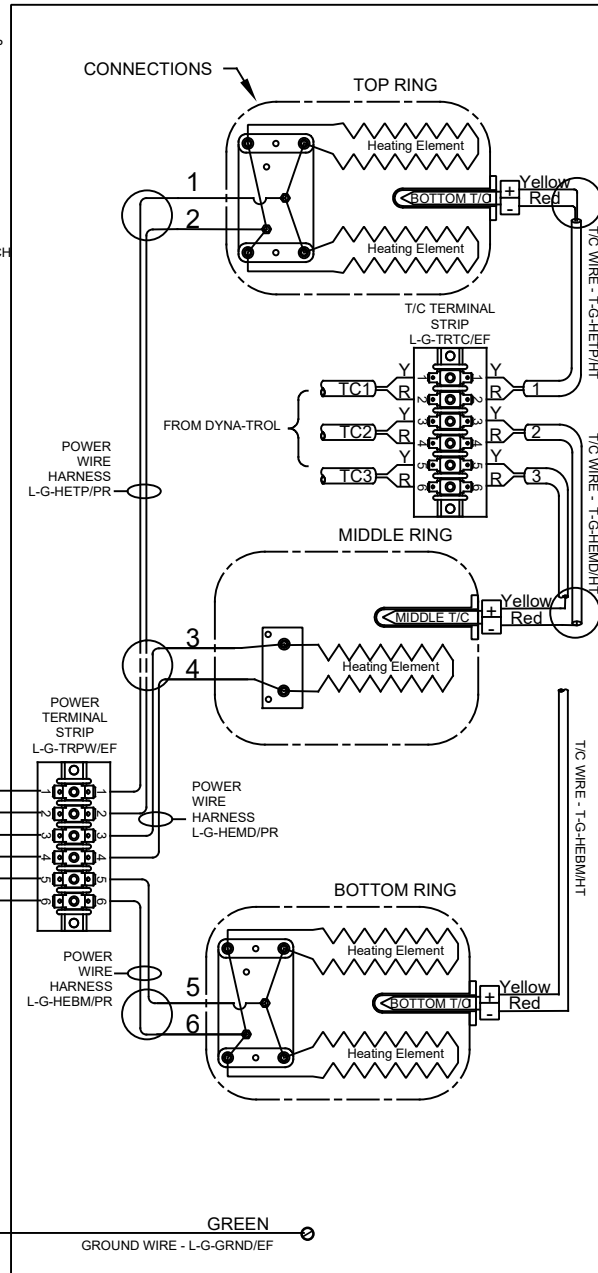
PLUG
208/240 VAC 3Ø
NEMA 15-50P
L-G-PC50/3P

SAFETY SWITCH BY CUSTOMER
Connect to
240 Volt, 3 Wire, Three Phase - or
208 Volt, 3 Wire, Three Phase
DELTA
50 or 60 Cycles.

LOOKING INSIDE CONTROL PANEL



LOOKING AT OUTSIDE OF ELEMENT COVER PANEL



Model e18M-208-3P			
VOLTAGE	208 / 3 / 50-60		
WATTS	8,000		
FULL LOAD AMPS	L1	L2	L3
	26.6	20.4	20.4
POWER SUPPLY	FUSE	WIRE	
	40A	8 AWG	
ELEMENTS E-E18ML/21	QTY	OHMS	
	5	26.03	

Model e18M-240-3P			
VOLTAGE	240 / 3 / 50-60		
WATTS	8,000		
FULL LOAD AMPS	L1	L2	L3
	23.1	17.6	17.6
POWER SUPPLY	FUSE	WIRE	
	30 A	10 AWG	
ELEMENTS E-E-18ML/31	QTY	OHMS	
	5	34.65	

REV. #	DATE	REVISION DESCRIPTION