

NOTES:

Control Wire:
16 AWG, 105°C
Power Wire:
10 AWG, 150°C

Industrial & commercial applications may require the installation of a LOCKOUT/TAGOUT device to prevent the Kiln from operating during maintenance.

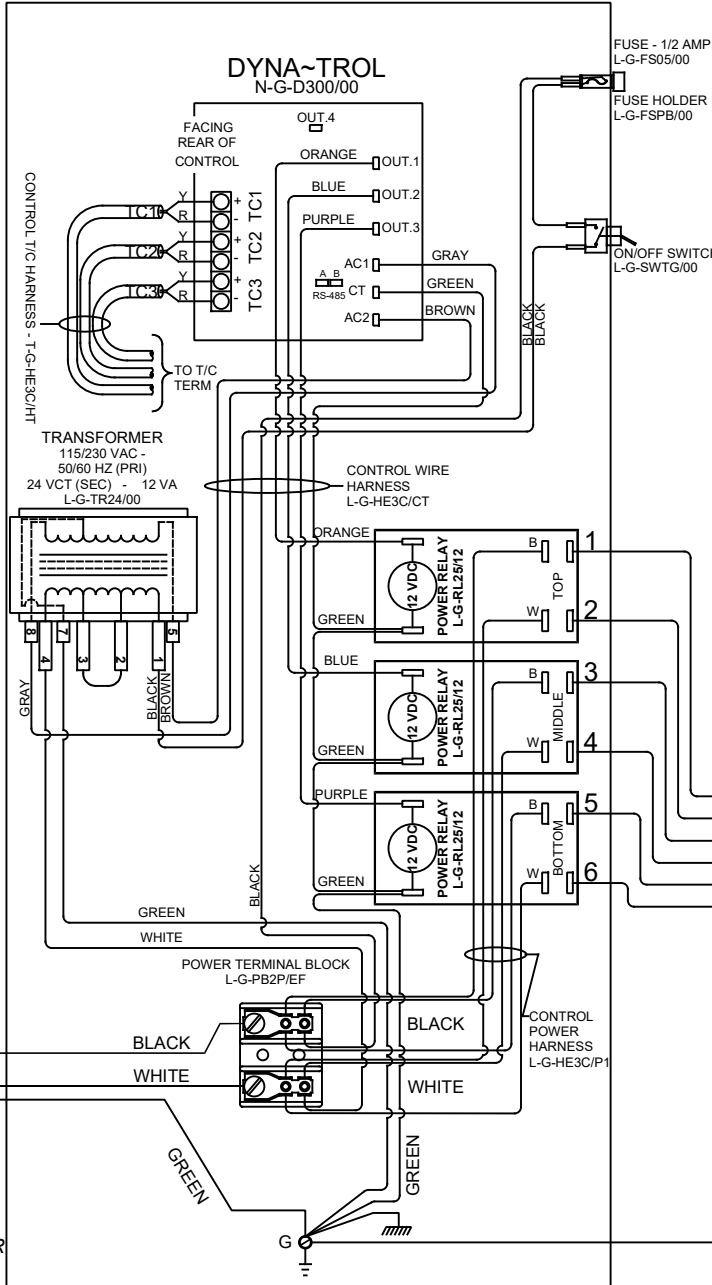
This Kiln is recommended to be wired & connected to an approved U. L. & NEC configured receptacle controlled with a disconnect switch and properly fused according to the KW load specification listed on the Kiln Nameplate. L&L Kiln Mfg., Inc., also recommends fuses rather than circuit breakers to prevent nuisance tripping.



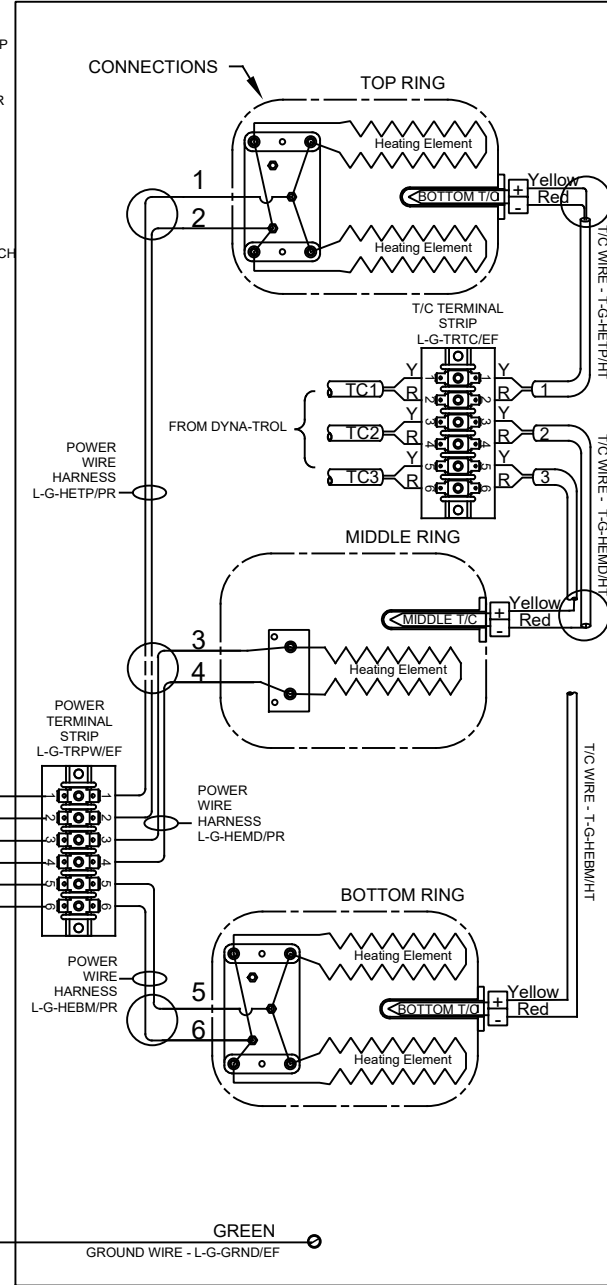
PLUG
208/240 VAC 1Ø
NEMA 6-50P
L-G-PC50/72

SAFETY SWITCH BY CUSTOMER
Connect to
240 Volt, 2 Wire, Single Phase - or
208 Volt, 2 Wire, Single Phase
50 or 60 Cycles.

LOOKING INSIDE CONTROL PANEL



LOOKING AT OUTSIDE OF ELEMENT COVER PANEL



Model e18M-208	
VOLTAGE	208 / 1 / 50-60
WATTS	8,000
FULL LOAD AMPS	L1 L2 L3 38.5 38.5
POWER SUPPLY	FUSE WIRE 50A 6AWG
ELEMENTS	QTY OHMS 5 26.0

Model e18M-240	
VOLTAGE	240 / 1 / 50-60
WATTS	8,000
FULL LOAD AMPS	L1 L2 L3 33.3 33.3
POWER SUPPLY	FUSE WIRE 50A 6AWG
ELEMENTS	QTY OHMS 5 34.65